

Need a Quote? Pricing? Technical Support? Spare Parts?

Fast, easy quotes...available 24/7!

Sign-up for Nordson's Auto-Quote System Today!

Start using the new Auto-Quote system today! Just [click here](#) or contact icscsc@nordson.com to register your company. We will get you set-up and provide access to the Auto-Quote system and all its great benefits.

Once you are enrolled, the system is e-mail based and is as easy as **1-2-3**:

- 1.** Direct your request to the Auto-Quote e-mail box (you will be provided with the address upon enrollment).
- 2.** In the body of your e-mail, indicate the part number and quantity (separated by a comma or space).
- 3.** Click send.



Our automated system will reply to your request almost immediately – no matter what day of the week or time of day. **[Sign up today!](#)**

Technical Support

800.433.9319 phone

ics.tech.support@nordson.com

Customer Service

800.433.9319 phone

icscsc@nordson.com

Powder Coating Equipment Replacement Parts Catalog 2016

Part TCP0022-02

Issued 01/2016



NORDSON CORPORATION • AMHERST, OHIO • USA

Contact Us

Nordson Corporation welcomes requests for information, comments, and inquiries about its products. General information about Nordson can be found on the Internet using the following address:
<http://www.nordson.com>.

Address all correspondence to:

Nordson Corporation
Attn: Finishing Customer Support Center
300 Nordson Drive
Amherst, OH 44001

Notice

This is a Nordson Corporation publication which is protected by copyright. Original copyright date 2006. No part of this document may be photocopied, reproduced, or translated to another language without the prior written consent of Nordson Corporation. The information contained in this publication is subject to change without notice.

Trademarks

Encore, iFlow, iControl, HDLV, Prodigy, Versa-Spray, ColorMax, Excel, Econo-Coat, Horizon, Versa-Coat, Vantage, Spectrum, Tribomatic, Color-on-Demand, Sure Coat, Nordson, and the Nordson logo are trademarks of Nordson Corporation.

Table of Contents

General Information	1-1
Encore® Systems	2-1
Encore® HD Systems	3-1
Encore® HD System with Prodigy® Color-on-Demand®	4-1
Encore® PE and PE HD Systems	5-1
Encore® & Encore HD Nozzles & Nozzle Kits	6-1
Powder Pumps	7-1
iControl® Integrated Control Systems	8-1
Powder Feed Hoppers	9-1
Fluidizing Plates and Gaskets	10-1
Rotary Sieves	11-1
Powder Feed Centers	12-1
Flame Detection	13-1
Primary Cartridge Filters and Final Filters	14-1
Powder Coating Essentials	15-1
Tribomatic® Powder Spray Guns and Pumps	16-1
Tribomatic® Spray Heads and Nozzles	17-1
Previous Generation	18-1

Section 1

General Information

How to Order Parts	1-2
Nordson Finishing Customer Support Center	1-2
Warranty	1-3
General Provisions Applicable to the Purchase of	
Genuine Nordson Replacement Parts	1-3
Minimum Order Value	1-4
Terms	1-4
Returns	1-4
Use Only Genuine Nordson Replacement Parts	1-5
Technical Assistance and Field Service Information	1-5
Nordson Customer Support Center – United States	1-5
Parts Orders and Delivery Information	1-5
Returned Goods Authorization	1-5
Technical Assistance	1-5
Local Service Representative	1-5

How to Order Parts

Use this catalog to locate the parts you need for your Nordson® powder coating equipment. To order genuine Nordson parts, call the Nordson Finishing Customer Support Center, use our e-commerce site at www.enordson.com, or contact your authorized Nordson distributor.

Nordson Finishing Customer Support Center

Customer Support Contact Information	
Address:	300 Nordson Drive Amherst, Ohio 44001
In the United States, call toll free:	800-433-9319
	or call your authorized Nordson distributor
Toll-free facsimile:	888-229-4580
On-line ordering:	www.enordson.com
Email:	ICSCSC@Nordson.com
Technical Support Contact Information	
In the United States, call toll free:	800-433-9319
Email:	ics.tech.support@nordson.com
Product manual website featuring the latest products and technical information:	http://emanuals.nordson.com/finishing/

Fast, easy quotes...available 24/7!

Sign up for Nordson's Auto-Quote System Today!

Start using the new Auto-Quote system today! Just contact icscsc@nordson.com to register your company. We will get you set-up and provide access to the Auto-Quote system and all its great benefits.

Once you are enrolled, the system is e-mail based and is as easy as **1-2-3**:

- 1.** Direct your request to the Auto-Quote e-mail box (you will be provided with the address upon enrollment).
- 2.** In the body of your e-mail, indicate the part number and quantity (separated by a comma or space).
- 3.** Click send.



Our automated system will reply to your request almost immediately – no matter what day of the week or time of day. **Sign up today!**

Warranty

- a. Nordson warrants the equipment to be free from defects in material and workmanship provided the goods are used and maintained in accordance with Nordson's instructions. The warranty period shall be (i) one year from first use; (ii) 18 months from shipment; or (iii) 2000 hours of use; whichever occurs first.
- b. In the event of non-compliance with this warranty, Nordson shall at its option modify, adjust, repair or replace the equipment. Return shipping charges will be absorbed by Nordson at Nordson's option.
- c. Nordson assumes no responsibility for the quality or performance of coatings or other materials used with Nordson equipment.
- d. The above warranty does not extend to equipment damaged after date of shipment from Nordson's plant where the damage is not directly due to a defect in material or workmanship, nor does it apply to equipment altered or repaired in an unauthorized manner.
- e. The sole liability of Nordson and the exclusive remedy of the Buyer arising out of the supply and use of the equipment whether arising under contract, tort (including negligence), strict liability or otherwise shall be the modification, adjustment, repair or replacement of the goods, or refund of the purchase price.
- f. Using non-Nordson or non-approved repair or replacement parts will void any approvals obtained on Nordson powder coating application equipment, can be detrimental to its safe and proper operation, and may affect Buyer's insurance coverage. Damage to/failure of equipment caused by use of non-Nordson or non-approved repair or replacement parts will not be covered by this warranty.
- g. **NORDSON AND BUYER AGREE THAT IN CONSIDERATION OF THE ABOVE EXPRESS WARRANTY AND ANY PERFORMANCE GUARANTEE(S) SPECIFICALLY SET FORTH IN THE PROPOSAL, ALL OTHER WARRANTIES AND GUARANTEES, OTHER THAN TITLE, EITHER EXPRESSED OR IMPLIED, INCLUDING WARRANTIES OF MERCHANTABILITY AND FITNESS FOR A PARTICULAR PURPOSE, ARE EXCLUDED FROM THE CONTRACT.**

General Provisions Applicable to the Purchase of Genuine Nordson Replacement Parts

- Nordson Corporation reserves the right to sell genuine Nordson replacement parts directly to customers or through authorized distributors and sales representatives.
- Orders for genuine Nordson replacement parts are accepted subject to replacement part availability.
- Prices quoted in this catalog or addenda are retail list prices and subject to appropriate excise, sales and use taxes imposed by government authorities.
- All prices are subject to change without notice.
- All prices are ex-works shipping point.

This catalog does not contain all parts available for sale. Refer to the appropriate product manual for parts not listed here. Product manuals are available on-line at <http://emanuals.nordson.com/finishing>.

Minimum Order Value

Minimum order value for direct customers = \$25.00.
Minimum order value for distributors = \$50.00

Non-stock items are not returnable.

Contact Nordson's Customer Service Center regarding non-stock items and lead times.

Terms

Terms of payment are net 30 days. Any unpaid account balance shall bear interest at the rate of one and one-half (1 1/2) percent from and after the date payment is due.

Returns

Buyer may return goods and receive a credit provided the Goods are returned within three (3) months of shipment, are unused and are returned in their original packaging. To obtain return approval, contact Nordson's Customer Service Center for a Return Authorization Number. Payment of return freight charges will be Buyer's responsibility. A restocking fee may apply on any returned goods.

Upon the request to return material to Nordson inventory, the Customer Service Center will obtain the following information from the customer:

1. Purchase date (purchase order number, order number, or invoice number)
2. Reason for the return

Material not considered for return:

- Non-stock items
- Configured material
- Hazardous material
- Electrical components
- Material purchased on discreet purchase orders to vendors (third party purchase)

Material will be considered for return if the following conditions are met:

- Purchased within the last three (3) months from the date of shipment (invoice number must be provided to evidence compliance)
- Are new, in original packaging and current revision letter/design
- Line item sales value (before any discounts) is \$100 or greater
- Must be saleable

Use Only Genuine Nordson Replacement Parts

Using non-Nordson or non-approved repair or replacement parts will void any approvals obtained on a powder coating system or component, can be detrimental to safe and proper operation, and may affect coverage by your insurance carrier. Damage to/failure of a powder coating system or component caused by use of non-Nordson or non-approved repair or replacement parts will not be covered by the system or component warranty.

Beware of aftermarket component manufacturers misrepresenting their products as genuine Nordson replacement parts or misrepresenting themselves as authorized Nordson sales representatives or distributors.

For reliable performance of your Nordson powder coating system, always insist on genuine Nordson replacement parts available only from Nordson Corporation or authorized distributors or sales representatives.

Prices published in this catalog or addenda are effective November 1, 2014.

Technical Assistance and Field Service Information

One telephone call to your Nordson Customer Service Representative puts you in touch with an entire network of Nordson personnel who can help you with everything from simply ordering or returning parts, to over-the-phone technical assistance and troubleshooting, to scheduling a visit by a Nordson Field Service Representative.

Nordson Customer Support Center – United States

For more information, contact your local Nordson representative or call the Customer Support Center at 800-433-9319, toll-free facsimile 888-229-4580, or e-mail us at ICSCSC@Nordson.com.

Parts Orders and Delivery Information

Customer Service Representatives place orders and expedite shipments or you may place your order, check order status, obtain pricing or a tracking number on-line at www.enordson.com.

Returned Goods Authorization

Customer Service Representatives provide return authorization and other instructions for returning equipment for warranty evaluation or for returning goods incorrectly ordered or shipped.

Technical Assistance

Technical Support Experts are available to help troubleshoot, provide technical information or simply help identify a part number. You may also e-mail us at ics.tech.support@nordson.com.

Local Service Representative

If required, Customer Service Representatives may advise the local Service Representative to contact the customer as soon as possible to schedule a visit.

Emergency calls can be transferred directly to the Regional Sales Manager. Or, during non-office hours, our answering service can contact your local Service Representative for emergencies.

Section 2

Encore® Systems

NOTE: For complete parts lists refer to individual component manuals:

1603227 Encore XT Manual Powder Spray Systems
 1604857 Encore LT Manual Powder Spray Systems
 1603855 Ion Collector Kit, Encore, Encore LT, Encore XT Manual Spray Guns
 1606796 Encore Lance Extensions
 1102764 Encore Manual Spray Gun Cup Gun Kit
 1098185 Encore Automatic Powder Spray Guns
 1098186 Ion Collector Kits for Encore Automatic Spray Guns
 1604858 Encore LT Automatic Controllers

NOTE: Refer to the *Encore and Encore HD Nozzles* section for information on Encore HD nozzles and nozzle kits. Both Encore venturi and Encore HD share the same nozzles.

NOTE: Refer to the *Powder Pumps* section for information on Encore system pumps.

NOTE: See the *iControl* section for information on iControl and iControl 2 automatic controllers.

Encore® Manual Spray Guns	2-3
Encore XT Manual Spray Gun	2-3
Spray Gun Options	2-4
Encore LT Manual Spray Gun	2-7
Spray Gun Options	2-8
Encore XT and LT Manual Spray Gun Accessories	2-10
Manual Gun Lance Extensions	2-10
Pattern Adjusters and Optional Deflectors	2-11
Cup Gun Kit	2-11
Encore Manual Controllers	2-14
Encore HD and XT Manual Controller	2-14
Interface	2-14
Rail Mount Exploded View	2-16
Power Unit	2-17
iFlow® Module	2-19
Encore LT Manual Controller	2-20
Front Panel and Internal Cabinet Ground	2-20
Rear Panel	2-22
Manifold	2-24
Encore Manual System Components	2-25
Encore XT System Components	2-25
Encore XT System Connection and Accessory Options ...	2-26
Encore LT System Components	2-27
Encore LT System Connection Options	2-28
Encore LT Air Filter Kit	2-28

Encore Automatic Spray Guns	2-29
Encore Automatic Spray Guns	2-29
Standard Tube-Mount Spray Gun	2-29
Bar-Mount Spray Gun	2-32
Encore Automatic Spray Gun Options	2-35
Encore Automatic Controllers	2-40
Encore LT Automatic Controllers	2-40
Single Controller	2-40
Dual Controller	2-44
Multi-Gun Controller	2-48
Encore Automatic System Components	2-52
Encore LT System Kit Options	2-52
Miscellaneous Parts	2-52

Encore® Manual Spray Guns

Encore XT Manual Spray Gun

See Figure 2-1.

Item	Part	Description	Quantity	Note
–	1600818	HANDGUN assembly, Encore XT	1	
1	1081638	• NUT, nozzle, handgun	1	
2	1081658	• NOZZLE, flat spray, 4 mm	1	A
3	1604824	• ELECTRODE ASSEMBLY, Encore, flat spray	1	F
3A	1106078	• • ELECTRODE, spring contact	1	
3B	1605863	• • HOLDER, electrode, M3, flat spray, Encore	1	F
4	1085024	• KIT, powder outlet tube, Encore	1	D
4B	1081785	• • O-RING, silicone, 0.468 x 0.568 x 0.05 in.	1	
4A	941113	• • O-RING, silicone, 0.438 x 0.625 x 0.094 in.	1	
5	1096695	• ELBOW, powder tube, handgun	1	D
6	1084821	• POWER SUPPLY, 100 kV, negative, Encore, packaged	1	
7	1088502	• GASKET, multiplier cover, handgun	1	
8	1106872	• BULKHEAD, multiplier, handgun, Encore LT/XT	1	
9	1100986	• KIT, handgun display module, Encore	1	
NS	– – – – –	• • SUPPORT, adhesive, handgun, Encore	1	
10	1087760	• HOOK, handgun	1	
11	1102648	• BEZEL, shield, plated	1	
12	345071	• SCREW, pan head, recessed, M3 x 35, BZN	2	
13	1088506	• KIT, body assembly, handgun, Encore	1	
14	1088558	• FILTER ASSEMBLY, handgun	1	
15	1101872	• KIT, trigger switch, Encore XT	1	
NS	1085361	• • SUPPORT, adhesive, handgun, Encore	1	
16	983520	• WASHER, lock, internal, M3, zinc	1	
17	982427	• MACHINE SCREW, pan head, recessed, M3 x 6, zinc	1	
18	1106871	• HANDLE, ground pad, handgun, Encore LT/XT	1	
19	1081777	• RETAINING RING, external, 10 mm	1	
20	1600745	• CABLE ASSY, handgun, 6 meter, Encore XT	1	E
20A	940129	• • O-RING, silicone, conductive, 0.375 x 0.50in.	1	
21	1087762	• BASE, handle, handgun	1	
22	760580	• SCREW, Philips head, M3 x 20, zinc	2	
23	1081617	• CHECK VALVE, male, M5 x 6 mm	1	
24	1081616	• FITTING, bulkhead, barb, dual, 10–32 x 4 mm	1	
25	1606338	• KIT, powder inlet tube, Encore	1	
25A	1084773	• • O-RING, silicone, 18 mm ID x 2 mm wide	2	
25B	1081785	• • O-RING, silicone, 0.468 x 0.568 x 0.05 in.	1	
26	1600819	• HANDLE, handgun, Encore XT	1	

Continued...

Item	Part	Description	Quantity	Note
27	1606999	• KIT, service, Encore trigger axle/trigger	1	
28	-----	• • TRIGGER, main, spray gun, Encore Gen II	1	
29	-----	• • ACTUATOR, switch, trigger, Encore LT/XT	1	
30	-----	• • AXLE, trigger, solid, spray gun, Encore	1	
31	1088601	• SCREW, flat head, recess, M5x 10, nylon	1	
32	1081540	• TRIGGER, setting, handgun	1	
33	1604828	• KIT, conical nozzle, Encore	1	
34	1083206	• DEFLECTOR assembly, conical, 26 mm	1	A
34A	1098306	• • O-RING, Viton, 3 mm x 1.1 mm wide	1	B
35	1082060	• NOZZLE, conical	1	A
36	1605861	• HOLDER, electrode, M3, conical, Encore	1	
37	1106200	• KIT, hose adapter, hose, spray gun, Encore	1	
37A	940157	• • O-RING, Viton, black, 0.563 x 0.688, 10415	2	
NS	900617	• TUBE, polyurethane, 4 mm OD, clear	AR	C
NS	900741	• TUBING, polyurethane, 6/4 mm, black	AR	C
NS	900620	• TUBING, poly, spiral cut, 3/8 in. ID	AR	C
NS	1081657	• NOZZLE, flat spray, 3 mm	1	A

NOTE A: 3- and 4-mm flat spray nozzles, conical nozzle, and deflector are shipped with the spray gun. Refer to the following pages for optional nozzles.

B: This O-ring is a component of all deflectors.

C: Order in increments of one foot or one meter.

D: Also available in wear resistant material. Refer to *Spray Gun Options*.

E: Optional 6 meter extension available; refer to *Spray Gun Options*.

F: For flat spray nozzle use only. Use kit item 32 to convert for conical nozzle and deflector use.

G: Included with trigger switch kit 1101872.

AR: As Required

NS: Not Shown

Spray Gun Options

See Figure 2-1.

Item	Part	Description	Quantity	Note
18	1096696	ELBOW, powder tube, Encore, impact resistant	1	
4	1096698	KIT, powder outlet tube, wear resistant	1	
4A	1081785	• O-RING, silicone, 0.468 x 0.568 x 0.05 in.	1	
4B	941113	• O-RING, silicone, 0.438 x 0.625 x 0.094 in.	1	
NS	1085168	CABLE, 6-wire, shielded, handgun, 6 meter extension	1	

NS: Not Shown

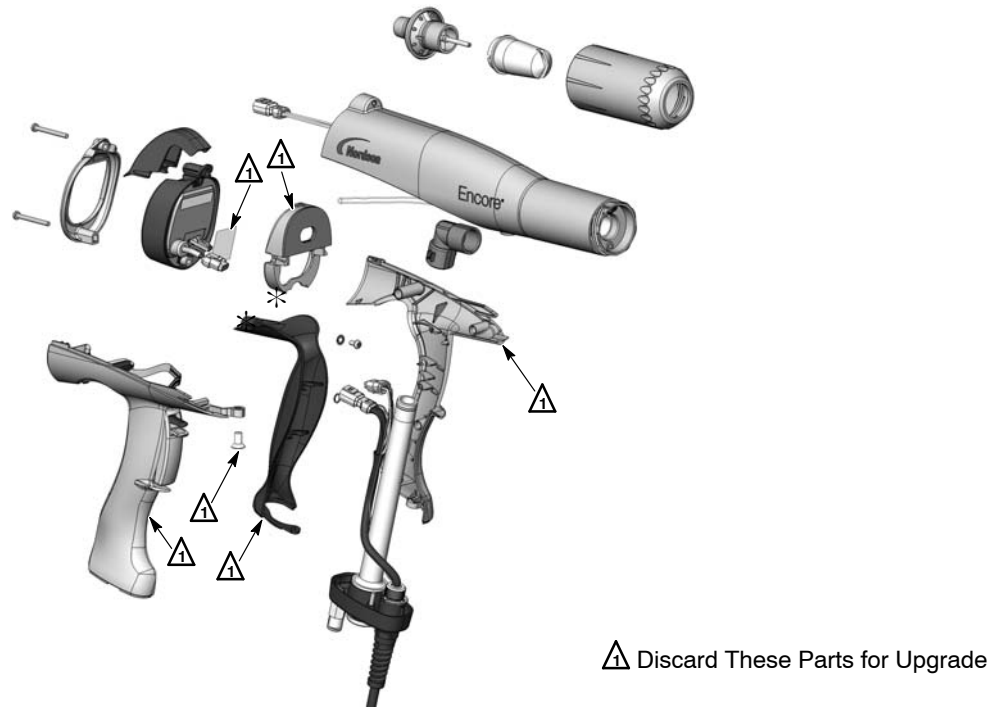


Figure 2-2 Encore Manual Gun Upgrade Kit

Encore LT Manual Spray Gun

See Figure 2-3.

Item	Part	Description	Quantity	Note
–	1106893	HANDGUN assembly, Encore LT	1	
1	1081638	• NUT, nozzle, handgun	1	
2	1081658	• NOZZLE, flat spray, 4 mm	1	A
3	1604824	• ELECTRODE ASSEMBLY, Encore, flat spray	1	F
3A	1106078	• • ELECTRODE, spring contact	1	
3B	1605863	• • HOLDER, electrode, M3, flat spray, Encore	1	F
4	1085024	• KIT, powder outlet tube, Encore	1	D
4A	941113	• • O-RING, silicone, 0.438 x 0.625 x 0.094 in.	1	
4B	1081785	• • O-RING, silicone, 0.468 x 0.568 x 0.05 in.	1	
5	1084821	• POWER SUPPLY, 100 kV, negative, Encore, packaged	1	
6	1088502	• GASKET, multiplier cover, handgun	1	
7	1106872	• BULKHEAD, multiplier, handgun, Encore LT/XT	1	
8	1087559	• COVER, housing, Encore	1	
9	1087558	• HOUSING, gun, Encore	1	
10	1087760	• HOOK, handgun	1	
11	1078075	• SCREW, pan head, recessed, M3 x 30, zinc	1	
12	760580	• SCREW, Philips head, M3 x 20, zinc	3	
13	1088506	• KIT, body assembly, handgun, Encore	1	
14	1088558	• FILTER ASSEMBLY, handgun	1	
15	1106871	• HANDLE, ground pad, handgun, Encore LT/XT	1	
16	983520	• WASHER, lock, internal, M3, zinc	1	
17	982427	• MACHINE SCREW, pan head, recessed, M3 x 6, zinc	1	
18	1096695	• ELBOW, powder tube, handgun	1	D
19	1081540	• TRIGGER, setting, handgun	1	
20	1606999	• KIT, service, Encore trigger axle/trigger	1	
20A	– – – – –	• • TRIGGER, main, spray gun, Encore Gen II	1	
20B	– – – – –	• • ACTUATOR, switch, trigger, Encore LT/XT	1	
20C	– – – – –	• • AXLE, trigger, solid, spray gun, Encore	1	
22	1088601	• SCREW, flat head, recess, M5x 10, nylon	1	
23	1108095	• KIT, trigger switch, Encore LT	1	
24	1106870	• HANDLE, handgun, Encore LT/XT	1	
25	1085026	• KIT, powder inlet tube, Encore	1	
25A	1084773	• • O-RING, silicone, 18 mm ID x 2 mm wide	2	
25B	1081785	• • O-RING, silicone, 0.468 x 0.568 x 0.05 in.	1	
26	1106756	• CABLE ASSEMBLY, spray gun, manual, Encore LT, 6 meter	1	E
26A	940129	• • O-RING, silicone, conductive, 0.375 x 0.50in.	1	
26B	– – – – –	• • CLAMP, cable, 0.25 ID x 0.05 thick, white	1	
27	1087762	• BASE, handle, handgun	1	
28	1081617	• CHECK VALVE, male, M5 x 6 mm	1	

Continued...

Item	Part	Description	Quantity	Note
29	1081616	• FITTING, bulkhead, barb, dual, 10–32 x 4 mm	1	
30	1081777	• RETAINING RING, external, 10 mm	1	
31	1604828	• KIT, conical nozzle, Encore		
32	1083206	• • DEFLECTOR ASSEMBLY, conical, 26 mm	1	A
32A	1098306	• • • O-RING, Viton, 3 mm x 1.1 mm wide	1	B
33	1082060	• • NOZZLE, conical	1	A
34	1605861	• • HOLDER, electrode, M3, conical, Encore	1	
35	1106200	• KIT, hose adapter, hose, handgun, Encore	1	
35A	940157	• • O-RING, Viton, black, 0.563 x 0.688, 10415	2	
NS	900617	• TUBE, polyurethane, 4 mm OD, clear	AR	C
NS	900741	• TUBING, polyurethane, 6/4 mm, black	AR	C
NS	900620	• TUBING, poly, spiral cut, 3/8 in. ID	AR	C

NOTE A: 4-mm flat spray nozzle, conical nozzle and 26 mm deflector are shipped with the spray gun. Refer to the following pages for optional nozzles.
 B: This O-ring is a component of all deflectors.
 C: Order in increments of one foot or one meter.
 D: Also available in wear resistant material. Refer to Spray Gun Options.
 E: Optional 6 meter extension available, refer to Spray Gun Options.
 F: For flat spray nozzle use only. Use kit item 31 to convert for conical nozzle and deflector use.

AR: As Required

NS: Not Shown

Spray Gun Options

See Figure 2-3.

Item	Part	Description	Note
18	1096696	ELBOW, powder tube, Encore, impact resistant	
4	1096698	KIT, powder outlet tube, wear resistant	
4B	1081785	• O-RING, silicone, 0.468 x 0.568 x 0.05 in.	
4A	941113	• O-RING, silicone, 0.438 x 0.625 x 0.094 in.	

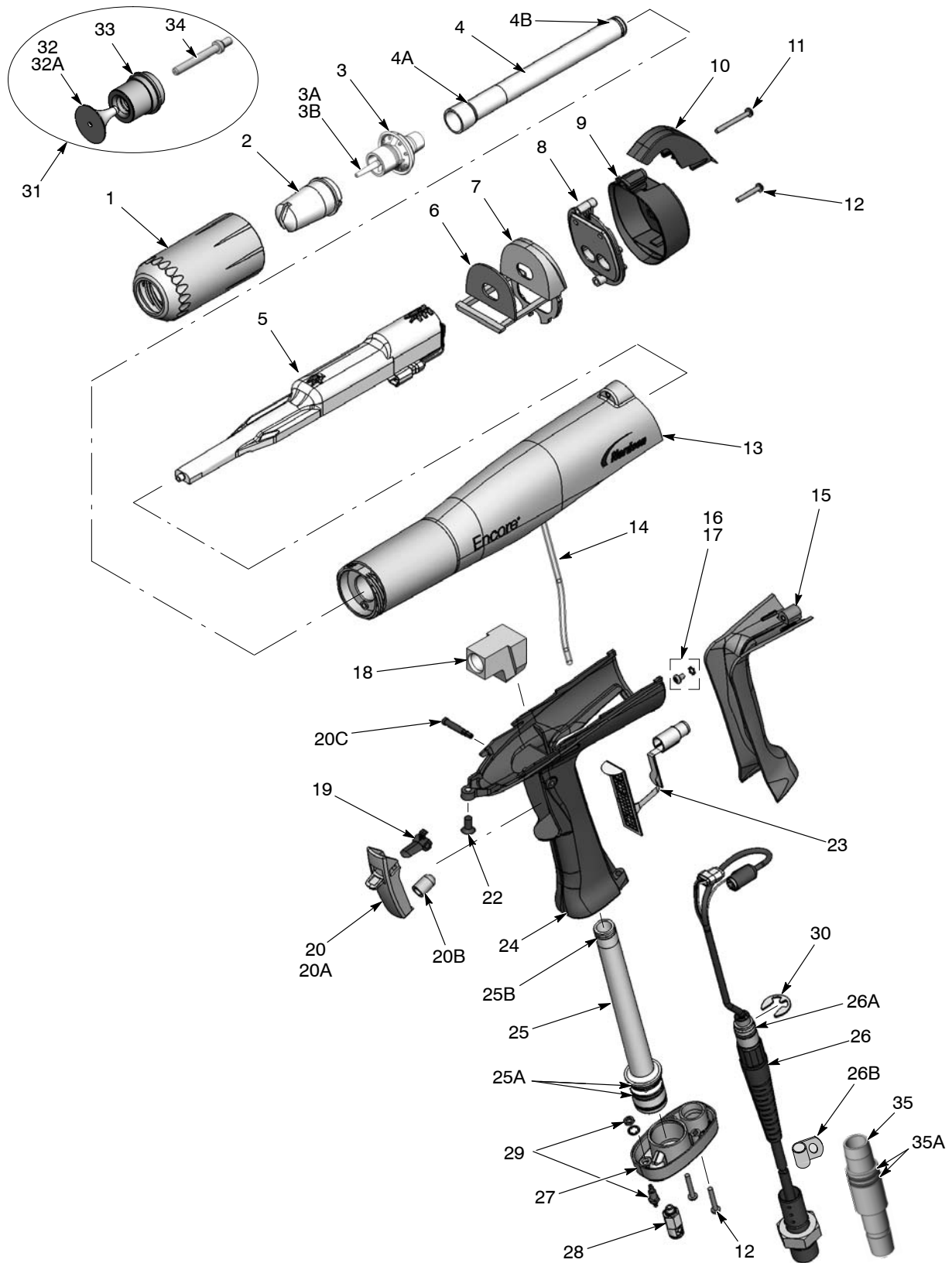


Figure 2-3 Encore LT Manual Spray Gun and Accessories

Encore XT and LT Manual Spray Gun Accessories

Manual Gun Lance Extensions

See Figure 2-4. For complete parts lists refer to manual 1606796.

Item	Part	Part	Part	Description	Note
—	1093604	-----	-----	Lance extension, 150 mm	
—	-----	1093605	-----	Lance extension, 300 mm	
—	-----	-----	1600663	Lance extension, 600 mm	
1	1093606	1093607	1600663	• Housing	
2	1093611	1093611	1093611	• Kit, electrode sleeve	C
3	1082930	1082930	1082930	• • O-ring, silicone, 3 mm ID x 1 mm wide	
4	-----	1092222	1092222	• Sleeve, extension	A
5	1093608	1093610	1600671	• Electrode, lance	
5a	1098004	1098004	1098004	• • O-ring, silicone, .056 x .176 x .060	
6	1092220	1092220	1092220	• Sleeve, electrode	
7	1092209	1092209	1092209	• Shroud, nozzle	
8	940212	940212	940212	• O-ring, silicone, .938 x .1.063 x .063	B

NOTE A: Used on 300 mm lance extension only.
 B: Second O-ring is not shown, but is inside the shroud (item 7).
 C: The old electrode kit (1085507) is not compatible with new housing (1093606 and 1093607).

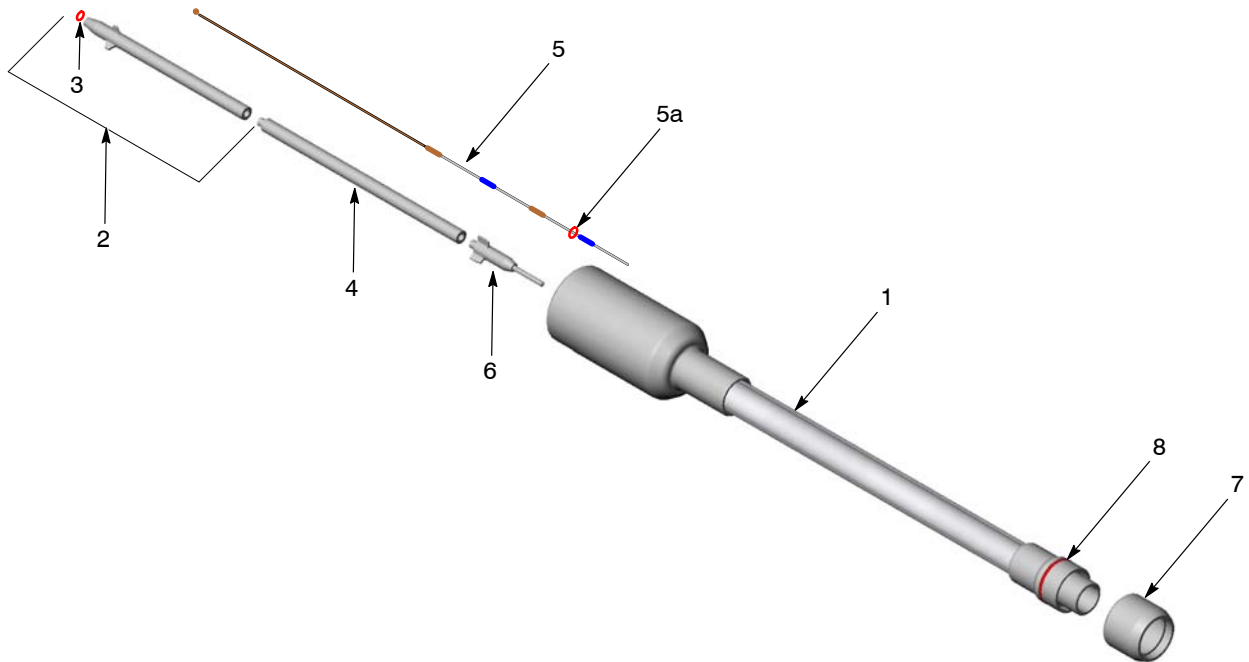


Figure 2-4 Lance Installation (300-mm Lance Shown)

Pattern Adjusters and Optional Deflectors

Item	Part	Description	Note
NS	1100012	Kit, pattern adjuster, Encore lance extension	
NS	940233	• O-ring, silicone, 1.062 x 1.188 x 0.062 in	
NS	1083201	Deflector, 16-mm	
NS	1083205	Deflector, 19-mm	
NS	1083206	Deflector, 26-mm	

NS: Not Shown

Cup Gun Kit

See Figure 2-5 for cup gun jar and parts.

Item	Part	Description	Quantity	Note
-	1100777	KIT, cup gun, Encore	1	
1	940156	• O-RING, silicone, 0.536 x 0.688 x 0.063 in.	2	
2	1100850	• ADAPTER, handgun, cup gun	1	
3	940142	• O-RING, silicone, 0.500 x 0.625 x 0.063 in.	1	
4	1102686	• PUMP, cup gun, inline, Encore, packaged	1	
5	1100851	• ADAPTER, pump, cup gun	1	
6	-----	• LID, cup, modified, cup gun	1	
7	1100855	• NUT, hex, 1.00-8, nylon	1	
8	1100854	• TUBE, pick up, cup gun	1	
9	-----	• CUP, jar assembly, cup gun	1	
10	-----	• PLATE, fluidizing, cup gun	1	
11	900618	• TUBE, polyurethane, 8 mm OD, blue	AR	A
12	900619	• TUBE, polyurethane, 8 mm OD, black	AR	A

NOTE A: Six meters (20 ft) of each color is provided with each kit. Minimum order quantity is 15.25 meters (50 ft).

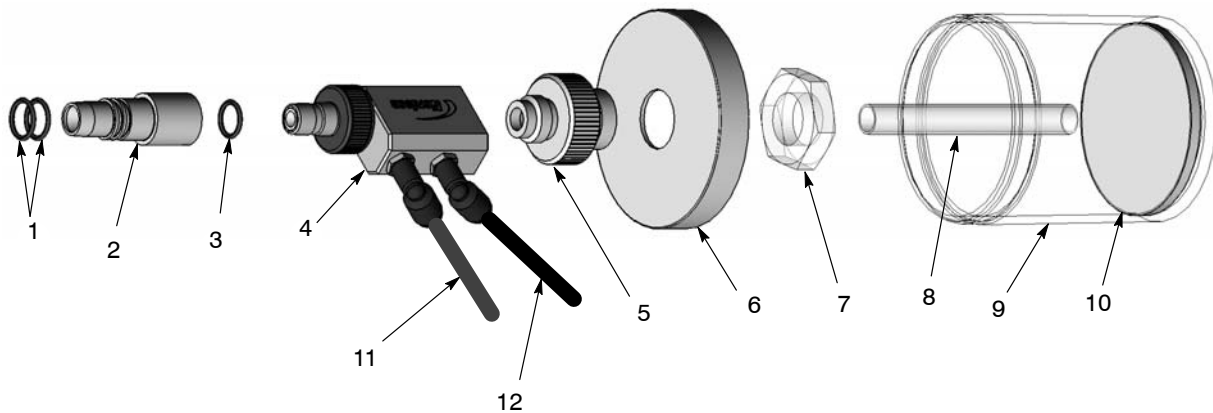


Figure 2-5 Cup Gun Assembly Parts

2-12 Encore® Systems

Item	Part	Description	Quantity	Note
–	1100928	KIT, jar w/blank lid, cup gun	1	
6	1100853	• LID, blank, cup gun	1	A
9	-----	• CUP, jar assembly, cup gun	1	
10	-----	• • PLATE, fluidizing, cup gun	1	
NOTE A: Figure 2-5 only shows the modified lid, and not the blank lid.				

See Figure 2-6 for the cup gun inline pump and parts.

Item	Part	Description	Quantity	Note
–	1102686	KIT, pump, inline, Encore, cup gun	1	
1	1095914	• NUT, pump, Encore Generation 2	1	
2	1095898	• HOLDER, pump throat, Encore Generation 2	1	
3	940147	• O-RING, silicone, conductive, 0.50 x 0.625 in.	4	
4	1095899	• THROAT, pump, Encore Generation 2, Tivar®	1	
5	1095915	• BODY, inline pump, Encore	1	
6	972276	• CONNECTOR, male, elbow, 8 mm tube x 1/8 in. uni-thread	2	
7	1600594	• INJECTOR, machined, inline pump, Encore	1	
8	1097913	TOOL, extraction, Encore inline pump	1	A
NOTE A: Optional part, must be ordered separately. Used to remove injector from pump.				

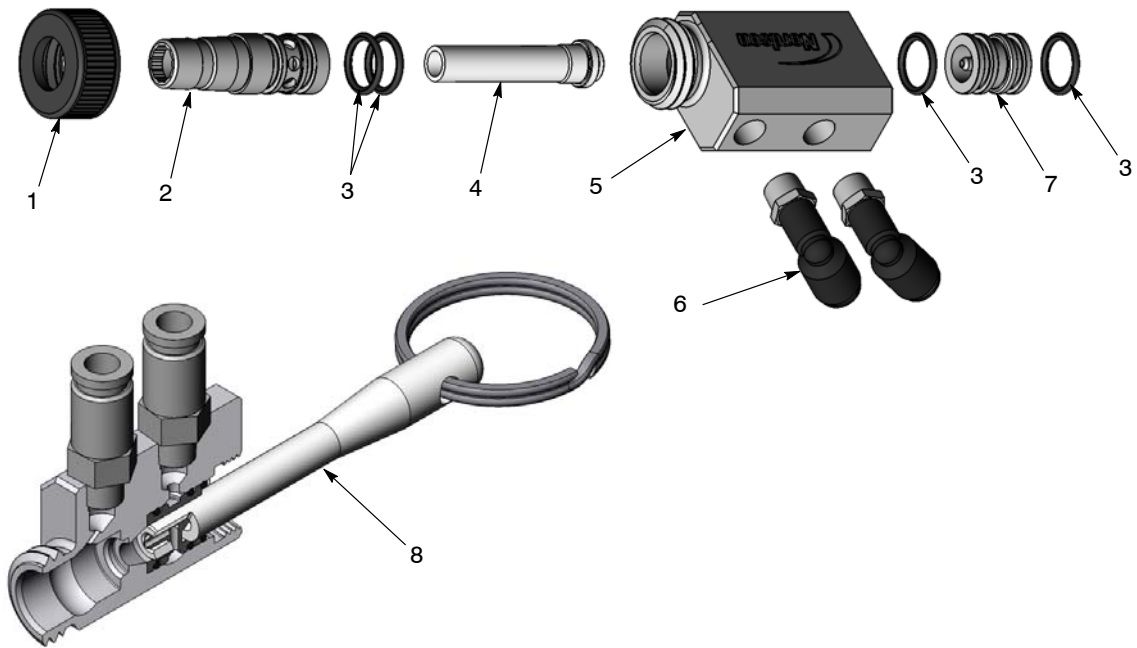


Figure 2-6 Pump Parts

Encore Manual Controllers

Encore HD and XT Manual Controller

Interface

See Figure 2-7.

Item	Part	Description	Quantity	Note
–	1604125	CONTROL UNIT, interface, Encore HD	1	
1	1604855	• PANEL, keypad, Encore HD controller	1	
2	1085084	• PCA, main controller display, Encore HD	1	B
3	1601341	• PCA, main control, Encore HD	1	B
4	983403	• WASHER, lock, split, M4, steel, zinc	8	
5	982308	• SCREW, pan head, recessed, M4 x 10, zinc	8	
6	982636	• SCREW, button, socket, M5 x 12, zinc	2	
7	983127	• WASHER, lock, internal, M5, zinc	2	
8	984526	• NUT, lock, 1/2 in. conduit	2	
9	939122	• SEAL, conduit fitting, 1/2 in., blue	2	
10	1082734	• ENCLOSURE, controller interface, Encore HD	1	
11	240674	• TAG, ground	2	
12	983021	• WASHER, flat, 0.203 x 0.406 x 0.040, brass	2	
13	983401	• WASHER, lock, split, M5, steel, zinc	2	
14	984702	• NUT, hex, m5, brass	2	
15	1082759	• RECEPTACLE, net, controller interface, Encore HD	1	A
16	1082709	• RECEPTACLE, gun, Encore HD	1	A
17	982286	• SCREW, flat, slotted, M5 x 10, zinc	4	
NOTE A: Receptacles include harnesses.				
B: Items 2 and 3 are sold together as kit 1604025.				

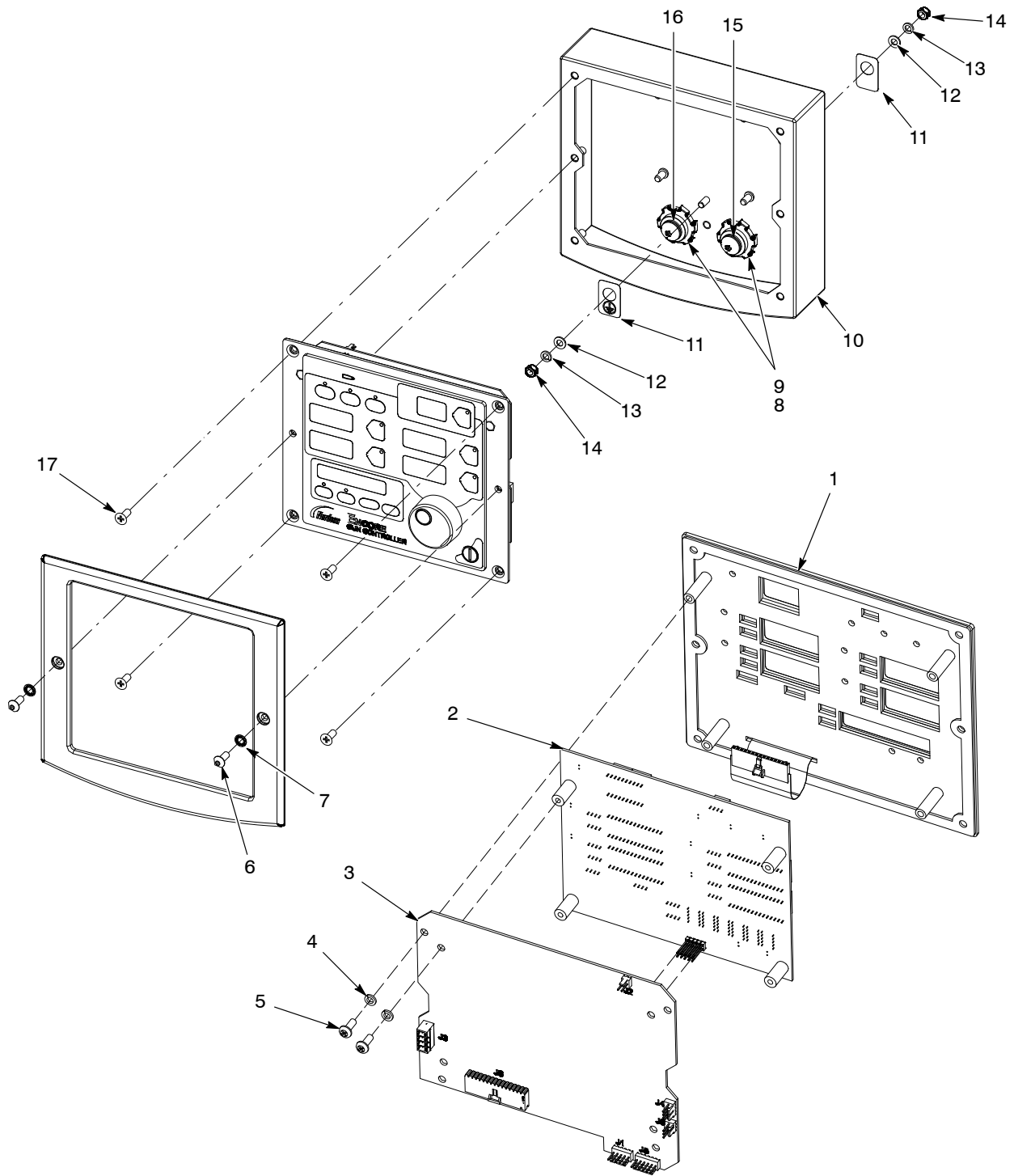


Figure 2-7 Encore Interface

Rail Mount Exploded View

See Figure 2-8.

Item	Part	Description	Quantity	Note
1	1604881	BRACKET, controller rail mount	1	
2	336281	NUT, hex, serrated, 0.5/16 - 18	2	
3	1091006	NUT, hex, flanged, serrated, M8	2	
4	1103115	SCREW, hex, serrated, M8 x 16mm, zinc	2	
5	982448	SCREW, skt, cap, M4 x 12mm	4	
6	1084121	WASHER, lock, dished #8	1	
7	983403	WASHER, lock, M4	3	
8	981346	SCREW, hex, 0.5/16 - 8 x 2.500	2	
9	1082732	BRACKET, universal mount	1	

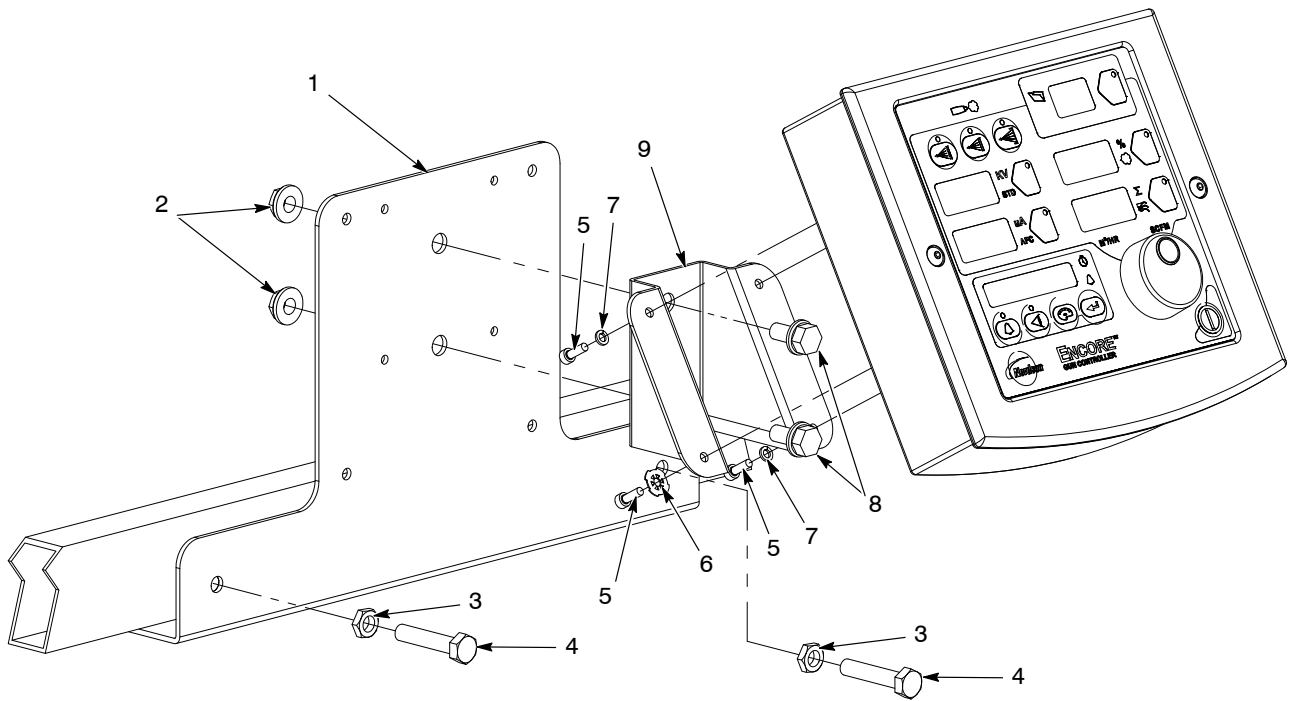


Figure 2-8 Rail Mount System Parts

Power Unit

See Figure 2-9.

Item	Part	Description	Note
–	1082815	Power unit, controller, Encore	
–	1600468	Power unit, controller, Encore, packaged, 115 V, VBF	
1	1082714	• Module, iFlow	A
2	1068173	• Relay, two pole, 30 amp, PCB/panel mount	
3	982824	• Screw, pan head, recessed, M3 x 8 w/internal lockwasher	
4	1083053	• Multiplier, 24 VDC, 60 watt	
5	1082764	• Filter, line, w/terminals	
6	1083021	• Capacitor, film, type 7124, 2.0 μ F	D
6	1600471	• Capacitor, film, type 7124, 4.0 μ F	E
7	939122	• Seal, conduit fitting, $\frac{1}{2}$ in. blue	
8	240674	• Tag, ground	
9	933469	• Lug, 90, double, 0.250, 0.438 in.	
10	983021	• Washer, flat, 0.203 x 0.406 x 0.040 in., brass	
11	983401	• Washer, lock, split, M5, steel, zinc	
12	984702	• Nut, hex, M5, brass	
13	– – – – –	• Cord, power, 15 ft (4.6 meters)	
14	288804	• Fuse holder, panel mount, 5 x 20	
15	1009090	• Fuse, time delay, 215 series, 3.15A, 5 x20mm	
16	322404	• Switch, rocker, DPST, dust-tight	
17	972808	• Connector, strain relief, $\frac{1}{2}$ in. NPT	
18	971109	• Union, bulkhead, 10 mm x 10 mm tube	
19	900740	• Tubing, polyurethane, 10/6.5–7 mm	B
20	972283	• Connector male, w/internal hex, 10 mm tube x $\frac{1}{4}$ in. uni-thread	
21	– – – – –	• Plug, pipe, socket, standard, $\frac{1}{8}$ in. RPT, steel, zinc	
22	– – – – –	• Regulator, $\frac{1}{4}$ in. NPT, 0–120 psi	
22A	– – – – –	• Bracket, regulator	
23	984526	• NUT, lock, $\frac{1}{2}$ in. conduit	
24	1082771	• Receptacle, net, controller	C
25	1082770	• Receptacle, output, VBF, controller	C

NOTE A: Refer to iFlow Module Parts in this section for repair parts.

B: Order in increments of one foot.

C: Receptacles include harness.

D: Use this capacitor with the power unit (1082815) used with 230 V VBF motor.

E: Only use this capacitor with the 115V power unit (1600468) using a 115 V motor with a model number of MVE21M. If the 115 V motor is MVE20, then the 2.0 μ F capacitor is acceptable.

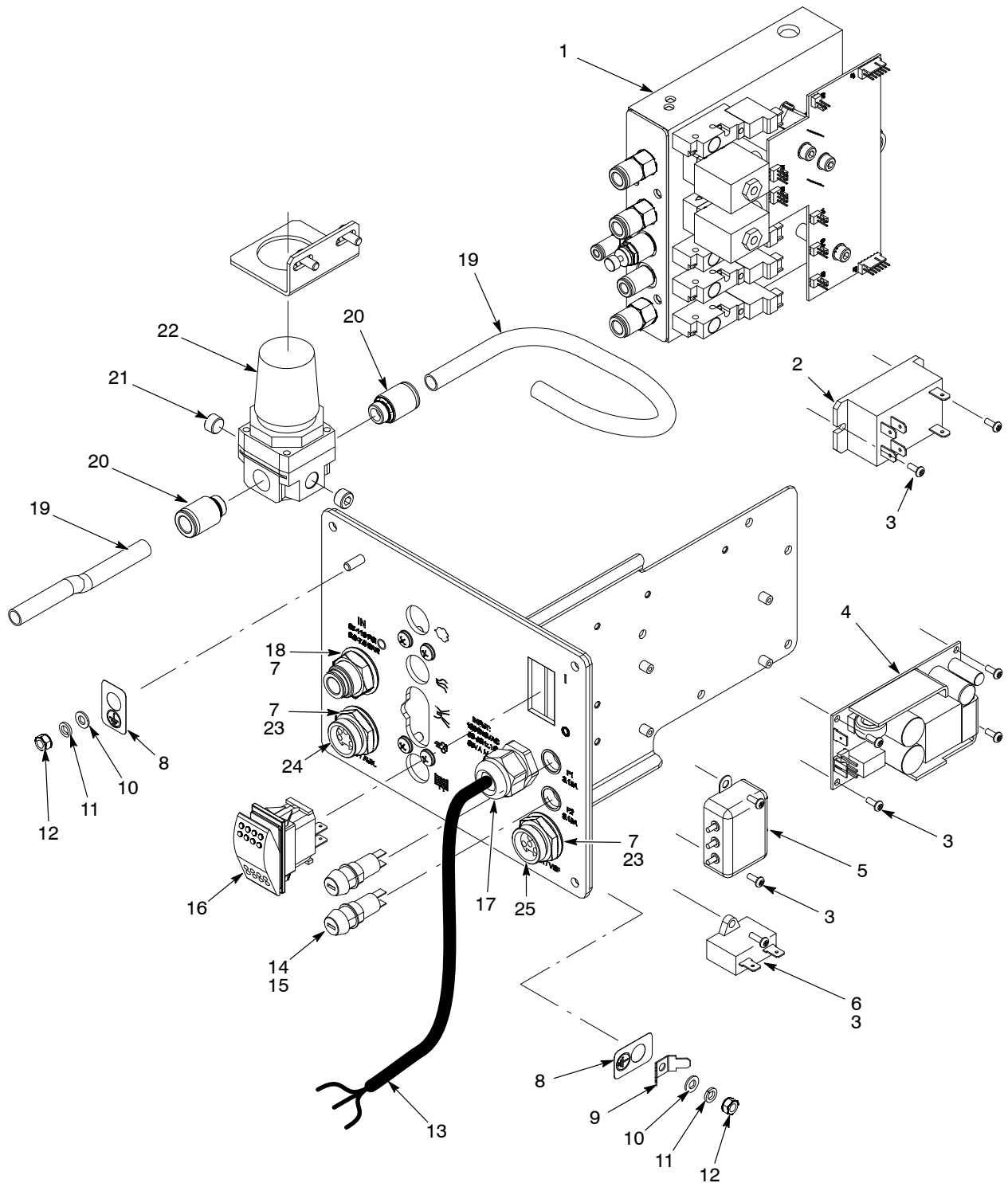


Figure 2-9 Encore Power Unit

iFlow® Module

See Figure 2-64.

Item	Part	Description	Note
–	1082714	Module, iFlow, Encore	
1	1099288	• Valve, solenoid, 3-way, w/connector	
2	1027547	• Valve, proportional, solenoid, sub-base	
3	1030873	• Valve, check, M8 tube x 1/8 in. uni-thread	
4	972399	• Connector, male, w/internal hex, 6 mm tube x 1/8 in. uni-thread	
5	972125	• Connector, male, elbow, 10 mm tube x 1/4 in. uni-thread	
6	1082612	• Valve, flow control, 4 mm x 1/8 in. uni-thread	

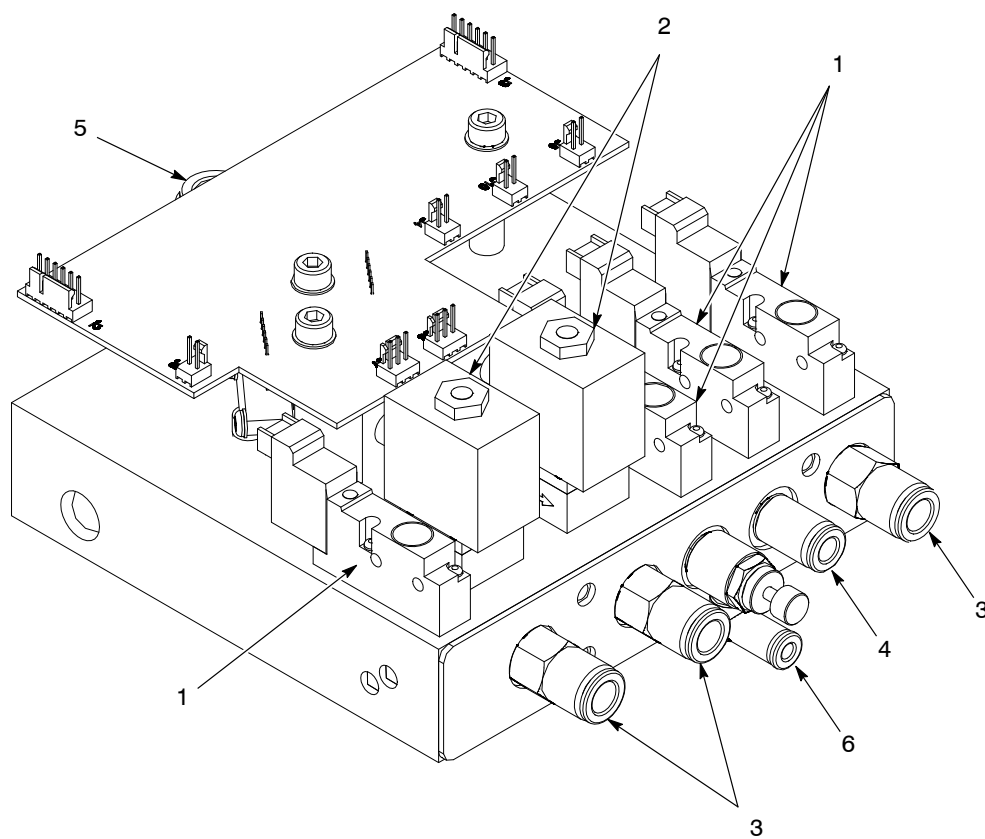


Figure 2-10 Encore iFlow Module

Encore LT Manual Controller**Front Panel and Internal Cabinet Ground**

See Figure 2-11.

Item	Part	Description	Note
–	1107552	CONTROLLER ASSY, manual, Encore LT, packaged	
1	1108279	• KIT, PCA, control, Encore LT	
2	1108312	• PANEL, keypad, Encore LT/auto controller, packaged	
3	– – – – –	• SCREW, flat, socket, M5 x 10, black	
4	– – – – –	• SCREW, button, socket, M5 x 12, zinc	
5	983127	• WASHER, lock, internal, M5, zinc	
6	983403	• WASHER, lock, split, M4, steel, zinc	
7	982881	• SCREW, pan head, recessed, M4 x 6, zinc	
8	1045837	• SCREW, pan head, recessed, M5 x 12 w/lockwasher, black	
9	984702	• NUT, hex, M5, brass	
10	983401	• WASHER, lock, split, M5, steel, zinc	
11	983021	• WASHER, flat, 0.203 x 0.406 x 0.040, brass	
12	933469	• LUG, 90, double, 0.250, 0.438 in.	
13	240674	• TAG, ground	

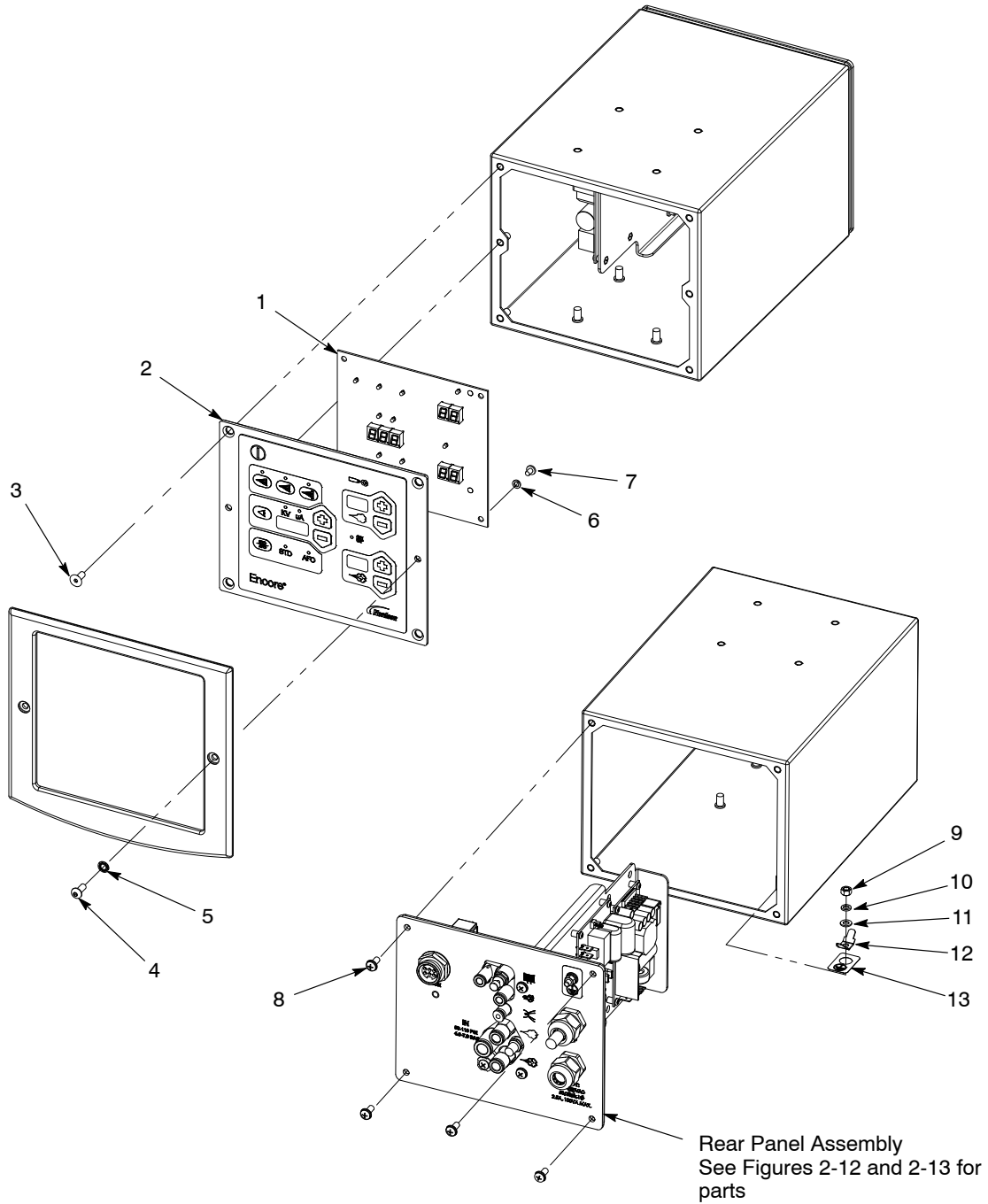


Figure 2-11 Controller Parts

Rear Panel

See Figure 2-12.

Item	Part	Description	Note
14	984526	• NUT, lock, 1/2 in. conduit	
15	939122	• SEAL, conduit fitting, 1/2 in., blue	
16	-----	• RECEPTACLE, gun, Encore LT	
17	1045837	• SCREW, pan head, recessed, M5 x 12, with lockwasher, black	
18	1068715	• WASHER, lock, dished, #10	
19	972930	• PLUG, push in, 8 mm tubing, plastic	
20	972808	• CONNECTOR, strain relief, 1/2 in. NPT	
21	984192	• NUT, lock, 1/2 in. NPT, nylon	
22	1107549	• GASKET, panel, rear, Encore LT controller	
23	982824	• SCREW, pan head, recessed, M3 x 8, with lockwasher, black	
24	-----	• FILTER, line, RFI power, 3A, with 0.250 QD	
25	1108310	• KIT, PCA, relay board, Encore LT	
26	1107695	• POWER SUPPLY, 24VDC, 60W	

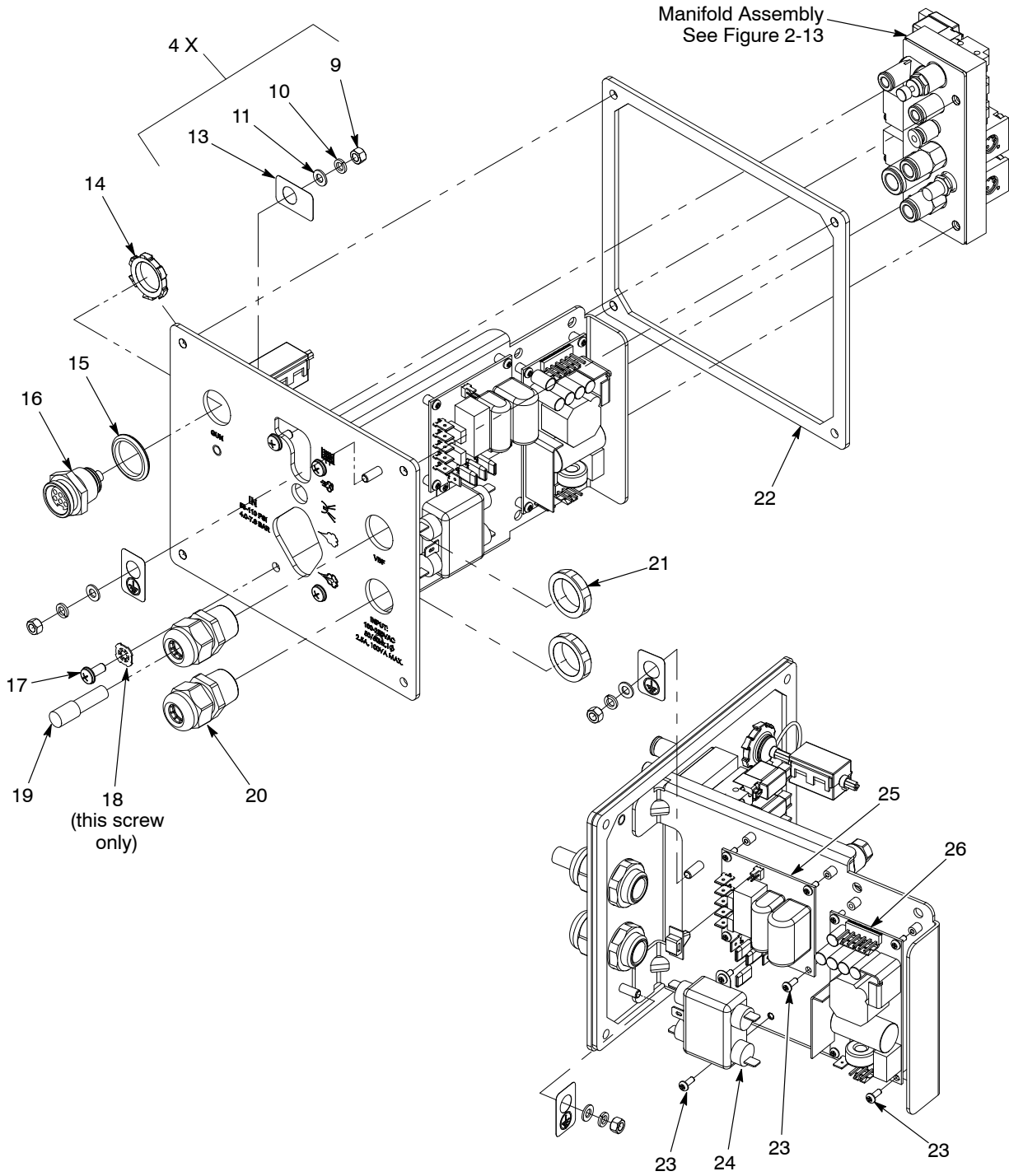


Figure 2-12 Rear Panel Parts

Manifold

See Figure 2-13.

Item	Part	Description	Note
27	1030873	• VALVE, check, M8 x R1/8, M input	
28	1107596	• CONNECTOR, male, with internal hex, 10 mm tube x 1/8 uni-thread	
29	1062009	• CONNECTOR, male, with internal hex, oval collar, 4 mm tube x M5	
30	972399	• CONNECTOR, male, with internal hex, 6 mm tube x 1/8 uni-thread	
31	1107595	• VALVE, flow control, 6 mm x 1/8 uni-thread	
32	1108313	• MUFFLER, exhaust, R1/8	
33	1107593	• GASKET, manifold, controller, Encore LT	
34	1107597	• REGULATOR, electro-pneumatic	
35	1099281	• VALVE, solenoid, 3 port, 24V, 0.35W	

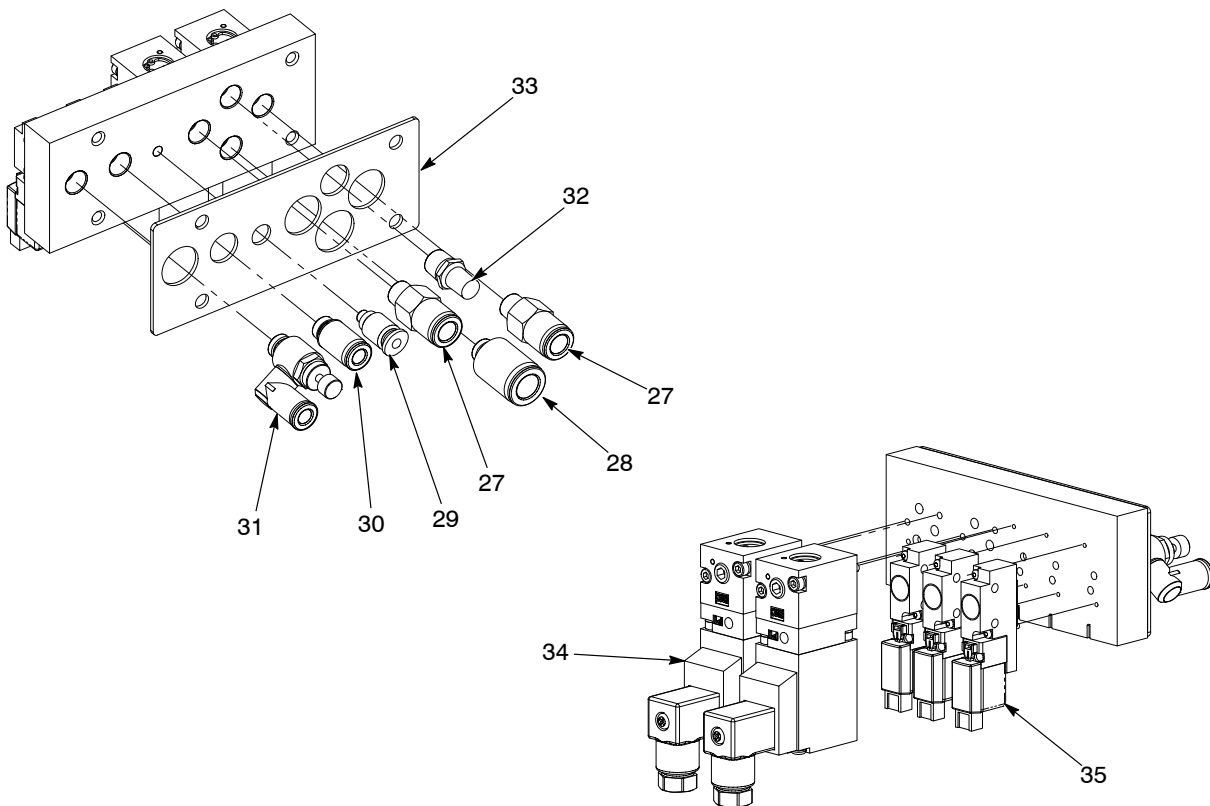


Figure 2-13 Manifold Parts

Encore Manual System Components

Encore XT System Components

See Figure 2-14.

Item	Part	Description	Note
1	1097809	TUBE, fluidizing, pickup, with conductive fitting, VBF, Encore	
1A	1096788	• CONNECTOR, 6mm tube x R 1/8, dia 0.7mm orifice	F
NS	1103081	ARM ASSEMBLY, pickup tube, Encore MPS, packaged	
2	1084760	ISOLATOR, vibration, 1.0 dia x 1.5 x 5/16 studs	
3	1080952	VIBRATOR, electric, 115V, 60 Hz, w/molded connector	A, I
3	1080950	VIBRATOR, electric, 230V, 50 Hz, w/molded connector	A
4	1101092	FILTER/REGULATOR, assembly, coalescing, with fittings (SMC, AWM20-02BE-CR)	G, H
NS	1101127	• FILTER ELEMENT, air, coalescing, 0.3 micron	G, H
NS	1018157	REGULATOR assembly, 0-25 psi, 0-1.7 bar, vertical	B
NS	972286	REDUCER, 8 mm stem x 6 mm tube	C
NS	148256	PLUG, 10 mm, tubing	D
NS	-----	UNION, bulkhead, conductive, 6 mm tube	E

NOTE A: Order the correct vibrator motor for your system.

B: Fluidizing air regulator mounted next to interface module.

C: Installed in power unit fluidizing air output fitting.

D: Plugs unused port in system air filter/regulator output fitting.

E: Conductive fitting, mounted inside tower. Do not replace this fitting with a non-conductive fitting.

F: Conductive fitting. Do not replace this fitting with a non-conductive fitting.

G: To replace the original Festo filter/regulator element, order 1085654.

H: This filter/regulator replaces the SMC 5-micron particulate filter/regulator, which is now an option. To order the 5-micron filter/regulator or filter element, refer to Options on page 2-26.

I: For motors with a model number of MVE21M, a 4.0 μ F capacitor (1600471) must be used in the controller power unit. If the motor model number is MVE20, then a 2.0 μ F capacitor (1083021) is acceptable.

NS: Not Shown

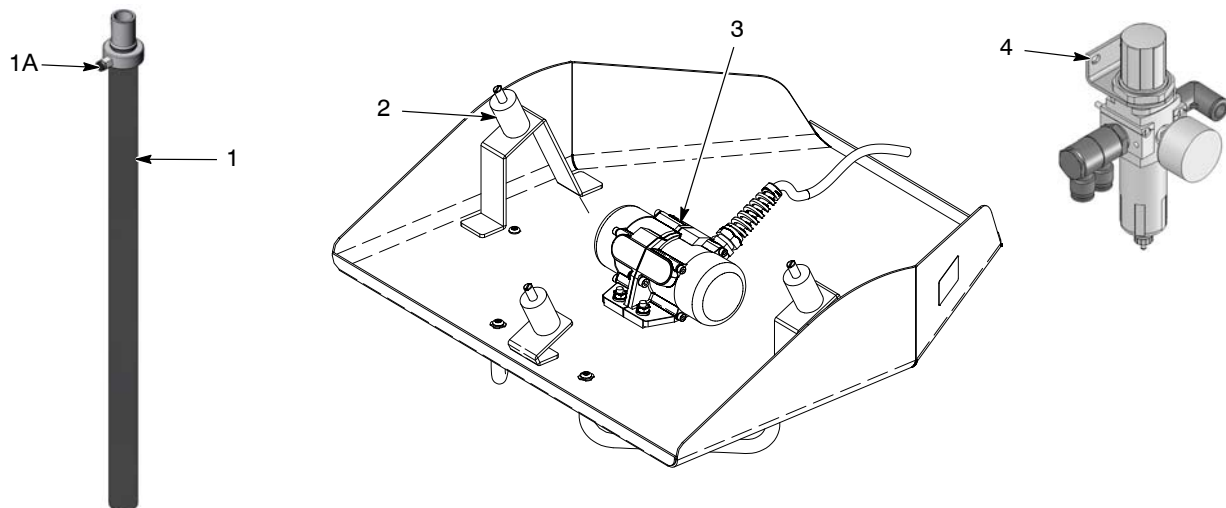


Figure 2-14 Miscellaneous System Parts

Encore XT System Connection and Accessory Options

Item	Part	Description	Note
NS	1091429	KIT, input air, Encore manual systems	
NS	972841	• CONNECTOR, male, 10 mm tube x $\frac{1}{4}$ in. uni-thread	
NS	971102	• CONNECTOR, male, 10 mm tube x $\frac{3}{8}$ in. uni-thread	
NS	973500	• COUPLING, pipe, hydraulic, $\frac{1}{4}$ in., steel, zinc	
NS	973520	• COUPLING, pipe, hydraulic, $\frac{3}{8}$ in., steel, zinc	
NS	900740	• TUBING, polyurethane, 10 mm, blue	A
NS	1096786	FILTER/REGULATOR, assembly, with fittings (particulate)	B
NS	1097103	• FILTER ELEMENT, air, 5 micron	B
NS	1086131	BRACKET, adapter, dual pickup tube	C
<p>NOTE A: Order replacement tubing in increments of one foot.</p> <p>B: OEM assembly part number AW20-02BE-CR. Order the correct filter element for your filter/regulator. Elements are not interchangeable.</p> <p>C: Use this bracket to install two pickup tubes on the arm assembly.</p> <p>NS: Not Shown</p>			

Encore LT System Components

See Figure 2-15.

Item	Part	Description	Note
1	1097809	TUBE, fluidizing, pickup, with conductive fitting, VBF, Encore	
1A	1096788	• CONNECTOR, 6mm tube x R 1/8, dia 0.7mm orifice	D
2	1084760	ISOLATOR, vibration, 1.0 dia x 1.5 x 5/16 studs	A
3	1108090	VIBRATOR, electric, 115V, 60 Hz, w/cord grip	A
3	1108091	VIBRATOR, electric, 230V, 50 Hz, w/cord grip	A
NS	1107552	CONTROLLER assembly, manual, Encore LT, packaged	
NS	1095922	PUMP assembly, corona, Encore Gen II	
NS	1106893	HANDGUN ASSY, Encore LT	
NS	1107949	HOPPER, NHR Encore, 50-lb	B
NS	972841	CONNECTOR, male, 10 mm tubing x 1/4 uni-thread	
NS	-----	GROMMET, 0.719 ID x 1.281 OD x 0.093 GR	
NS	134575	WIRE, ground (with ground clamp)	
NS	1107895	KIT, VBF pickup tube arm assembly, Encore LT	A
NS	1107903	• KIT, pickup tube collar, Encore LT	A
NS	1107913	KIT, rail mount, Encore LT	
NS	1600437	KIT, wall mount, Encore LT	
NS	1067694	KIT, ground bus bar, ESD, 6 position, w/hardware	C
NS	1085679	KIT, pump adapter, hopper, Encore	C
NS	1082204	COUPLING, pump, Encore	C
NS	1600566	KIT, filter, Encore LT	E
NS	1600608	• FILTER, mist separator, 0.3 micron, 1/2 in. NPT	E
NS	1600609	• • FILTER ELEMENT, mist separator, 0.3 micron	
NS	1080718	CABLE, interface/controller, 10 ft.	

NOTE A: VBF systems only. Order the correct vibrator motor for your VBF system.
 B: Hopper systems only. Hopper includes pickup tube.
 C: Included with both wall- and rail-mount systems.
 D: Conductive fitting. Do not replace with a non-conductive fitting.
 E: Filter kit includes fittings and mounting bracket. Order filter only to replace mobile system filter.
 NS: Not Shown

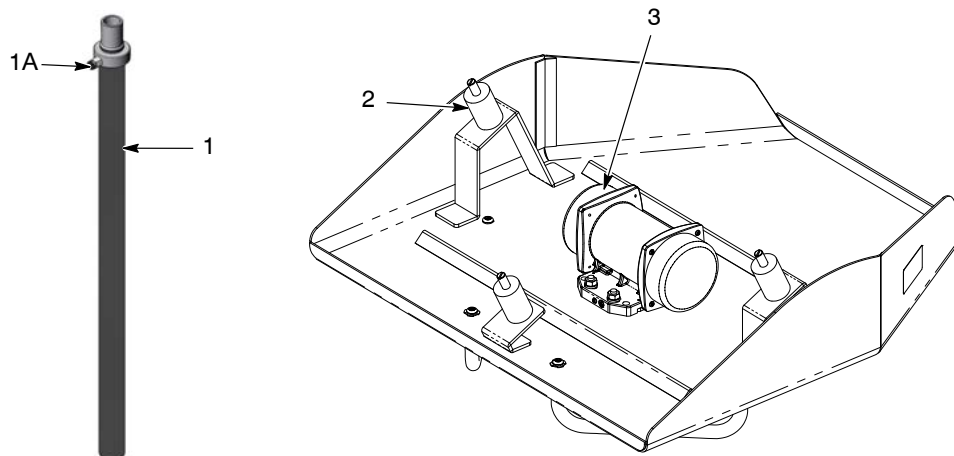


Figure 2-15 Miscellaneous System Parts

Encore LT System Connection Options

Part	Description	Note
1091429	KIT, input air, Encore manual systems	
972841	• CONNECTOR, male, 10 mm tube x 1/4 in. uni-thread	
971102	• CONNECTOR, male, 10 mm tube x 3/8 in. uni-thread	
973500	• COUPLING, pipe, hydraulic, 1/4 in., steel, zinc	
973520	• COUPLING, pipe, hydraulic, 3/8 in., steel, zinc	
900740	• TUBING, polyurethane, 10 mm, blue	A
1086131	BRACKET, adapter, dual pickup tube	B
1600188	KIT, small parts tray	C
<p>NOTE A: Replacement tubing has a minimum order quantity of 50 ft. B: Use this bracket to install two pickup tubes on the arm assembly. C: For mobile systems only. To install the tray, remove the 2 top screws from the controller tower, install the #10 dished lock washer in the kit on one screw, then use the screws to install the tray.</p>		

Encore LT Air Filter Kit

Part	Description	Note
1600566	KIT, filter, Encore LT	
1600608	• FILTER, mist separator, 0.3 micron, 1/2 in. NPT	
1600609	• • FILTER ELEMENT, mist separator, 0.3 micron	
971103	• CONNECTOR, male, 10 mm tube x 1/2 uni-thread	
1600607	• CONNECTOR, Y branch, 10 mm tube x 1/2 uni-thread	
-----	• BRACKET assembly, mounting, modular air filter	A
<p>NOTE A: Bracket includes two M5 screws.</p>		

Encore Automatic Spray Guns

Encore Automatic Spray Guns

For complete parts lists refer to manual 1098185.

Standard Tube-Mount Spray Gun

See Figure 2-16.

Item	Part	Description	Quantity	Note
–	1099824	GUN, auto, tube mount, Encore, 5 ft	1	E
–	1606986	GUN, auto, tube mount, Encore, 5 ft PVC	1	E
1	1081638	• NUT, nozzle, handgun, Encore	1	
2	1081658	• NOZZLE, flat spray, 4 mm, Encore	1	A
3	1604824	• ELECTRODE ASSEMBLY, Encore, flat spray	1	D
3A	1106078	• • ELECTRODE, spring contact, packaged	1	
3B	1605863	• • HOLDER, electrode, M3, flat spray, Encore	1	D
4	1097527	• SEAL, tube, powder	1	
5	1602673	• TUBE, powder, tube mount, auto, Encore, 5 ft	1	
6	1098453	• KIT, body, auto, Encore	1	
6A	1088558	• • FILTER ASSEMBLY, handgun	1	
7	1088502	• GASKET, multiplier cover, handgun, Encore	1	
8	1097520	• BULKHEAD, body, front, auto, Encore	1	
9	1101381	• PLATE, screw	1	
10	1097522	• NUT, Allen, 4-40, stainless steel	2	
11	1084821	• POWER SUPPLY, 100 kV, negative, Encore	1	
12	815666	• SCREW, socket, M5 x 0.8 x 12, zinc	1	
12A	983127	• WASHER, lock, internal, M5, zinc	1	
13	1081616	• FITTING, bulkhead, barbed, dual, 10–32 x 4 mm tubing	1	
14	1097518	• BODY, gun, rear, auto, Encore	1	
15	1097514	• RECEPTACLE, gun harness	1	
16	1097513	• PLATE, grounding	1	
17	1605696	• SCREW, socket head, M3 x 35 mm	2	
17A	983520	• WASHER, lock, internal, M3, steel, zinc	2	
18	900617	• TUBING, polyurethane, 4 mm OD, clear (6 ft)	AR	B
19	1103426	• CABLE, extension, auto, Encore, 1196 mm	1	
20	1097533	• RECEPTACLE, M12, male/female, 4P	1	
21	1602674	• TUBE, clamp	1	
22	1099828	• TUBE, mount, auto, Encore, 5 ft	1	E
22	1602611	• TUBE, mount, auto, Encore, 5 ft, PVC	1	E
23	1097534	• CAP, end, tube mount	1	
24	1097535	• NUT, clamp, tube mount	1	
25	1003964	• UNION, straight, 4 mm tube	1	
26	1604821	• RETAINER, connector, hose, univ, auto, Encore	1	
27	1604831	• CONNECTOR ASSY, hose, univ, auto, Encore	1	C
28	– – – –	• • CONNECTOR, hose, univ, auto, Encore	1	
29	940156	• • O-RING, silicone, 0.563 x 0.688 x 0.063	1	

Continued...

Item	Part	Description	Quantity	Note
NS	247006	• CLAMP, hose, 0.637–0.795 OD	1	
NS	939247	• CLAMP, hose, Snap-it	1	
NS	1081656	• NOZZLE, flat spray, 2.5 mm, Encore	1	A
<p>NOTE A: Refer to the <i>Options</i> section for a complete list of available flat spray nozzles, conical nozzles and deflectors.</p> <p>B: Bulk item, order in increments of one foot.</p> <p>C: For use with 11 mm and 1/2 in hose.</p> <p>D: For flat spray nozzle use only. Refer to the <i>Options</i> section for assemblies/parts for use with conical nozzles and deflectors.</p> <p>E: The type of material used for the tube mount determines the type of spray gun.</p> <p>AR: As Required</p> <p>NS: Not Shown</p>				

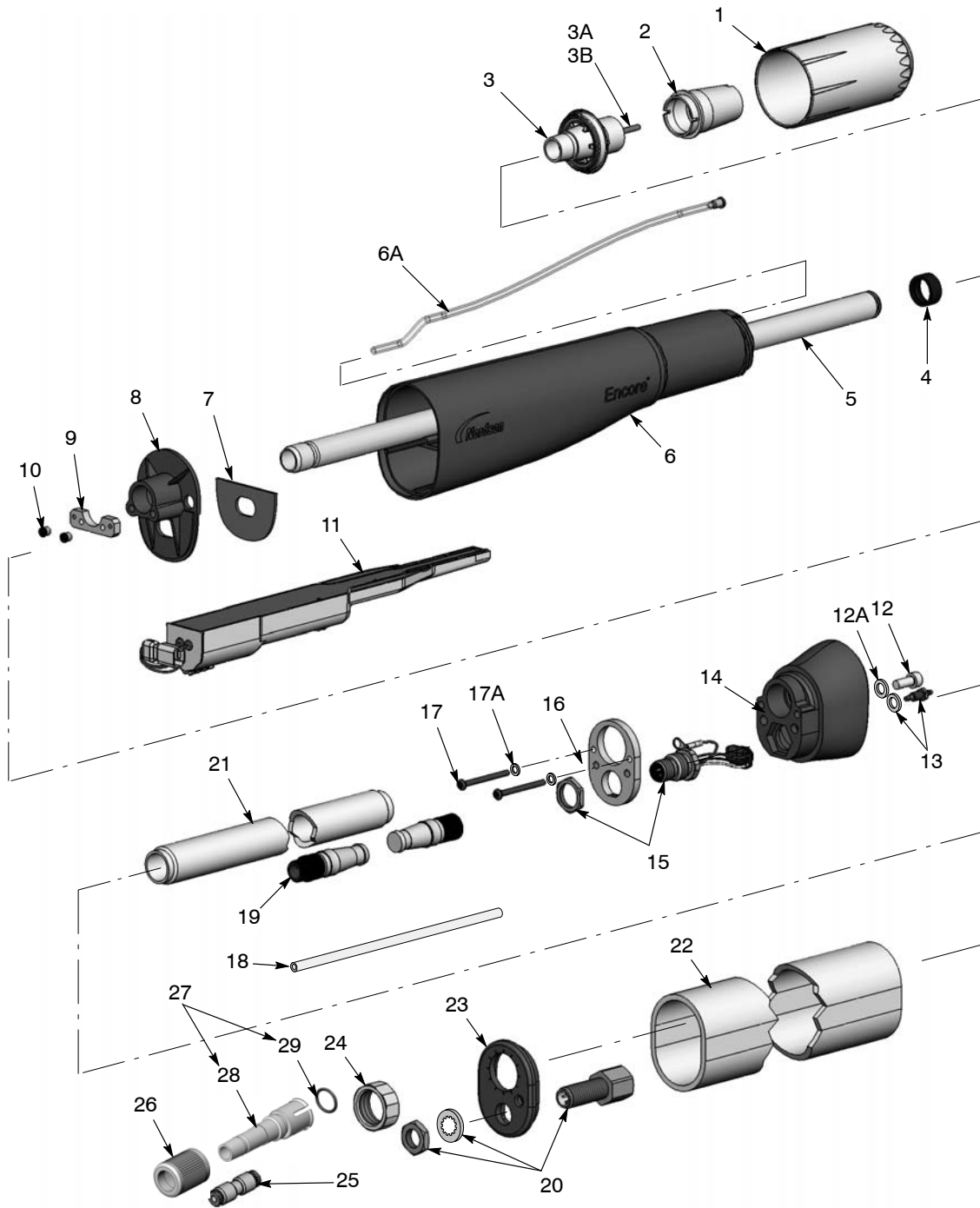


Figure 2-16 Standard Tube-Mount Gun Parts

Bar-Mount Spray Gun

See Figure 2-17.

Item	Part	Description	Quantity	Note
–	1097489	GUN, auto, bar mount, Encore	1	
1	1081638	• NUT, nozzle, handgun, Encore	1	
2	1081658	• NOZZLE, flat spray, 4 mm, Encore	1	A
3	1604824	• ELECTRODE ASSEMBLY, Encore, flat spray	1	C
3A	1106078	• • ELECTRODE, spring contact	1	
3B	1605863	• • HOLDER, electrode, M3, flat spray, Encore	1	C
4	1097527	• SEAL, tube, powder	1	
5	1097524	• TUBE, powder, bar mount, auto, Encore	1	
6	1098453	• KIT, body, auto, Encore	1	
6A	1088558	• • FILTER ASSEMBLY, handgun	1	
7	1088502	• GASKET, multiplier cover, handgun, Encore	1	
8	1097520	• BULKHEAD, body, front, auto, Encore	1	
9	1101381	• PLATE, screw	1	
10	1097522	• NUT, Allen, 4-40, stainless steel	2	
11	1084821	• POWER SUPPLY, 100 kV, negative, Encore	1	
12	815666	• SCREW, socket, M5 x 0.8 x 12, zinc	1	
12A	983127	• WASHER, lock, internal, M5, zinc	1	
13	1081616	• FITTING, bulkhead, barbed, dual, 10–32 x 4 mm tubing	1	
14	1097518	• BODY, gun, rear, auto, Encore	1	
15	1097514	• RECEPTACLE, gun harness	1	
16	1097512	• ADAPTER, mount, bar	1	
17	1605696	• SCREW, socket head, M3 x 35 mm	1	
17A	983520	• WASHER, lock, internal, M3, steel, zinc	2	
18	1097511	• QUAD RING, Viton, 0.614 in. ID x 0.070 in.	1	
19	1604831	• CONNECTOR ASSY, hose, univ, auto, Encore	1	B
20	940156	• • O-RING, silicone, 0.563 x 0.688 x 0.063	1	
21	– – – –	• • CONNECTOR, hose, univ, auto, Encore	1	
22	1604821	• RETAINER, connector, hose, univ, auto, Encore	1	
23	1102293	• KNOB, T-handle	1	
24	1102294	• WASHER, flat, 0.34 x 0.74 x 0.06 in., nylon	1	
25	1097546	• ADAPTER, tube, mount, bar	1	
26	345385	• SCREW, set, flat, M8 x 20, black	1	
27	1097545	• BALL, chrome steel, 6.5 mm diameter, 25, C63	1	
28	1097542	• BRACKET, mount, bar	1	
29	982503	• SCREW, button, socket, M5 x 10	2	
NS	247006	• CLAMP, hose, 0.637–0.795 OD	1	
NS	939247	• CLAMP, hose, Snap-it	1	
NS	1081656	• NOZZLE, flat spray, 2.5 mm, Encore	1	A

Continued...

Item	Part	Description	Quantity	Note
NOTE	A:	Refer to the <i>Options</i> section for a complete list of available flat spray nozzles, conical nozzles and deflectors.		
	B:	For use with 11 mm and 1/2 in hose.		
	C:	For flat spray nozzle use only. Refer to the <i>Options</i> section for assemblies and parts for use with conical nozzles and deflectors.		
NS:	Not Shown			

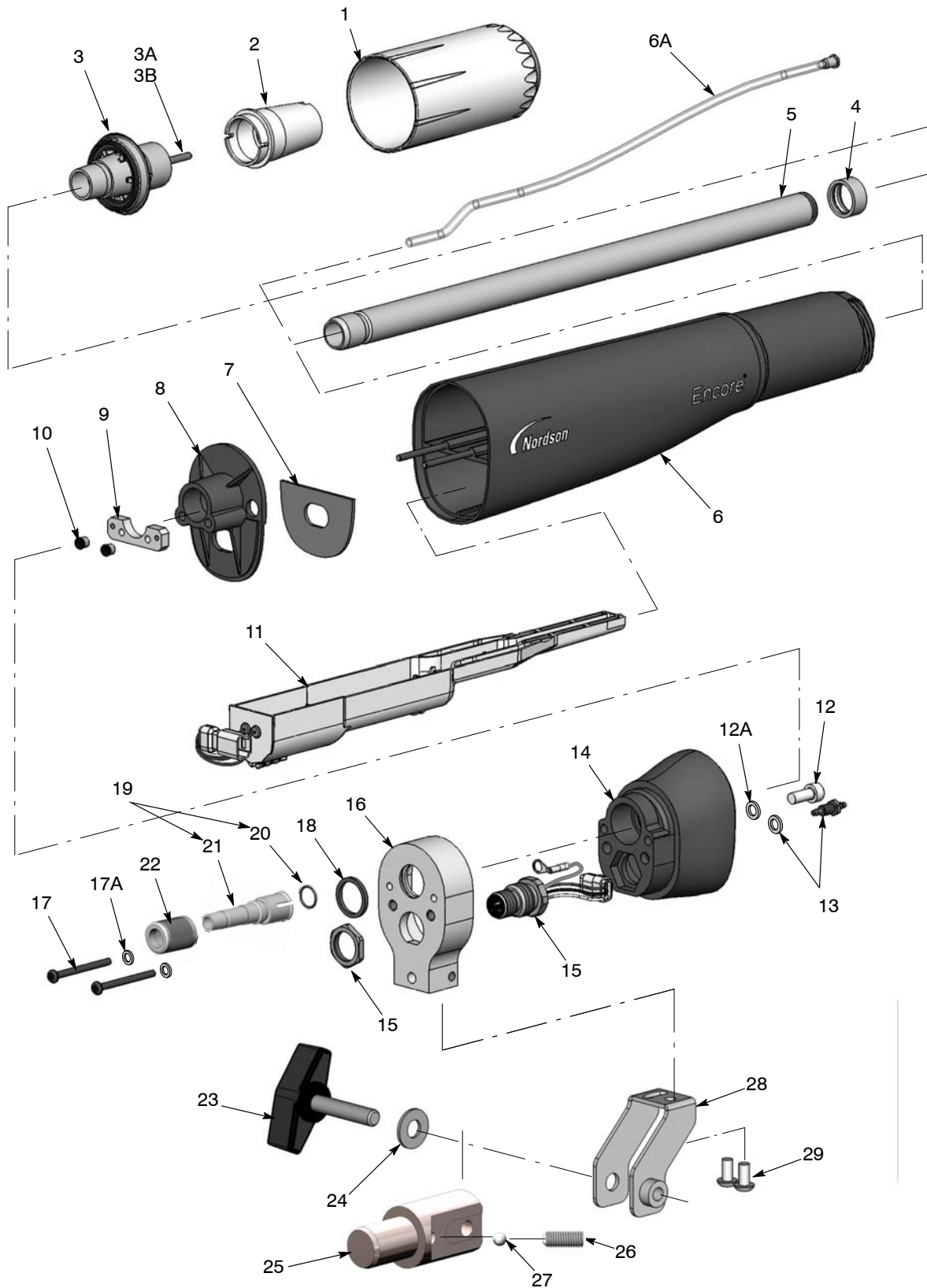


Figure 2-17 Bar-Mount Gun Parts

Encore Automatic Spray Gun Options

Optional Six-Foot Tube Mount Encore Automatic Gun

See Figure 2-16 for the parts illustration, and the standard 5-ft tube mount gun parts list for all other parts.

Item	Part	Description	Quantity	Note
–	1097500	GUN, auto, tube mount, Encore, 6 ft	1	
5	1602675	• TUBE, powder, tube mount, auto, Encore, 6 ft	1	
19	1097536	• CABLE, extension, auto, Encore, 1496 mm	1	
21	1602676	• TUBE, clamp, 6 ft	1	
22	1097532	• TUBE, mount, auto, Encore, 6 ft	1	

Hose Hanger

See Figure 2-18. The hose hanger assembles to the tube mount gun to support the powder hose, air tubing, and gun cable.

Part	Description	Note
1003572	HANGER, hose, automatic gun	

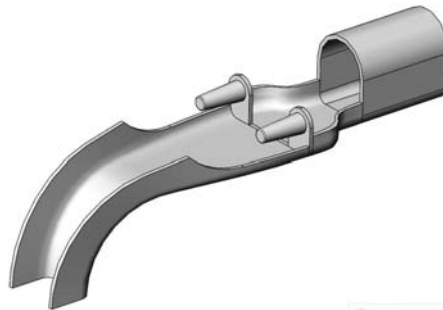


Figure 2-18 Optional Hose Hanger

Cables

These cables connect the spray gun to the gun controller (Encore iControl® Integrated Control Unit).

Part	Description	Note
1097537	CABLE, auto, Encore, 8 meter (26.25 ft)	
1097539	CABLE, auto, Encore, 12 meter (39.4 ft)	
1097540	CABLE, auto, Encore, 16 meter (52.5 ft)	
1601344	CABLE, extension, Encore, 4 m (13.1 ft)	

Ion Collector Kit

See Figure 2-19.

Item	Part	Description	Quantity	Note
-	1097505	KIT, collector, ion, Encore	1	
1	-----	• ROD, ion collector, offset	1	
2	1097547	• POST, collector, ion	1	
3	105800	• SCREW, socket head, M4 x 0.7 x 8 mm	1	
4	1097696	• SCREW, set, nylon tip, M10 x 10, black	1	
5	1097543	• SCREW, set, nylon tip, M5 x 8, black	1	
6	-----	• TIP, ion collector, multi-point	1	
7	982017	• SCREW, pan, rec, M3 x 8, zinc	1	

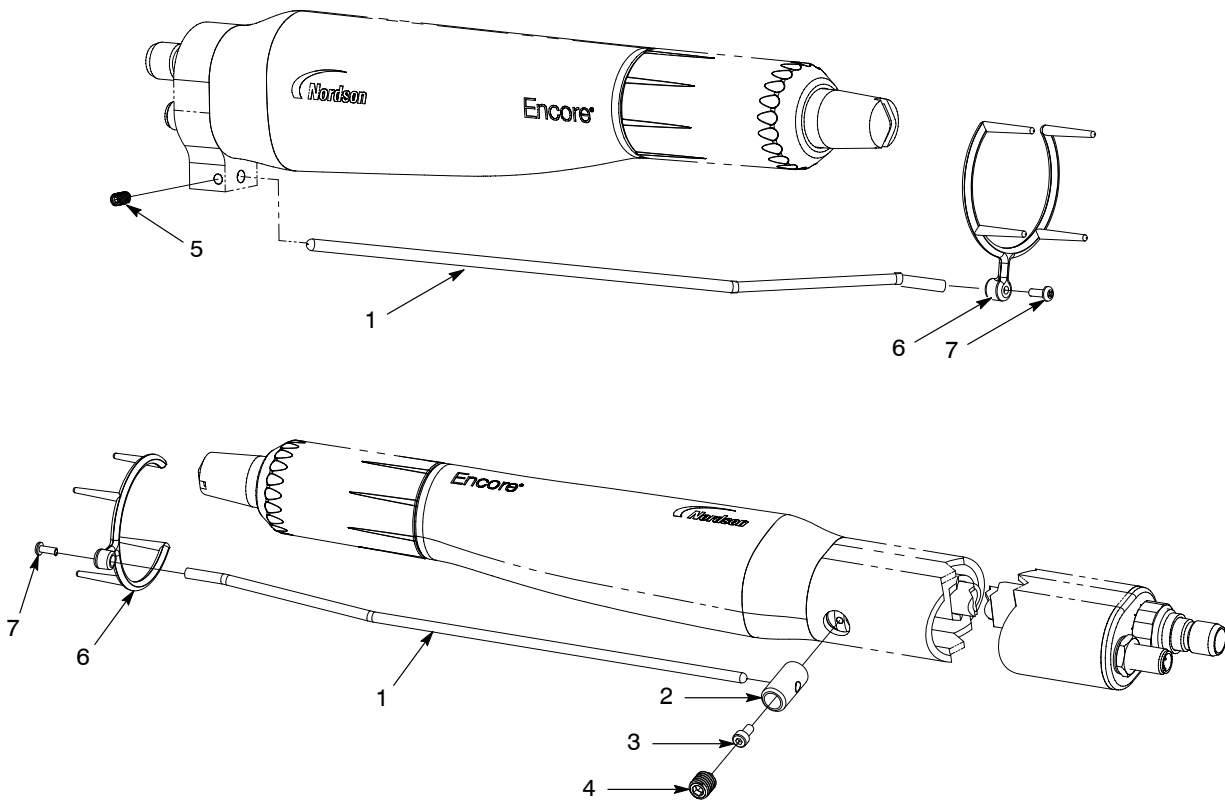


Figure 2-19 Ion Collector Kit Parts

Tube-Mount Gun Mounting Assemblies

See Figure 2-20.

Standard Mount Assembly

Item	Part	Description	Quantity	Note
—	1010717	MOUNT, assembly, Sure Coat automatic gun	1	
1	248957	• HANDLE, adjustment, $\frac{3}{8}$ -16 x 1.77 in.	1	
2	-----	• MOUNT, clamp, automatic gun	1	
3	-----	• MOUNT, sleeve, automatic gun	1	
4	981561	• SCREW, socket, $\frac{3}{8}$ -16 x 1.00 in., zinc	3	

Pivot Mount Assembly

Item	Part	Description	Quantity	Note
—	341756	MOUNT, tube holder, assembly	1	
1	248957	• HANDLE, adjustment, $\frac{3}{8}$ -16 x 1.77 in.	1	
2	983061	• WASHER, flat, 0.406 x 0.812 x 0.065 in., zinc	1	
3	249074	• HANDLE, adjustment, $\frac{3}{8}$ -16 x 2.75 in.	1	
4	-----	• MOUNT, clamp, automatic gun	1	
5	-----	• MOUNT, sleeve, automatic gun	1	
6	981561	• SCREW, socket, $\frac{3}{8}$ -16 x 1.00 in., zinc	3	

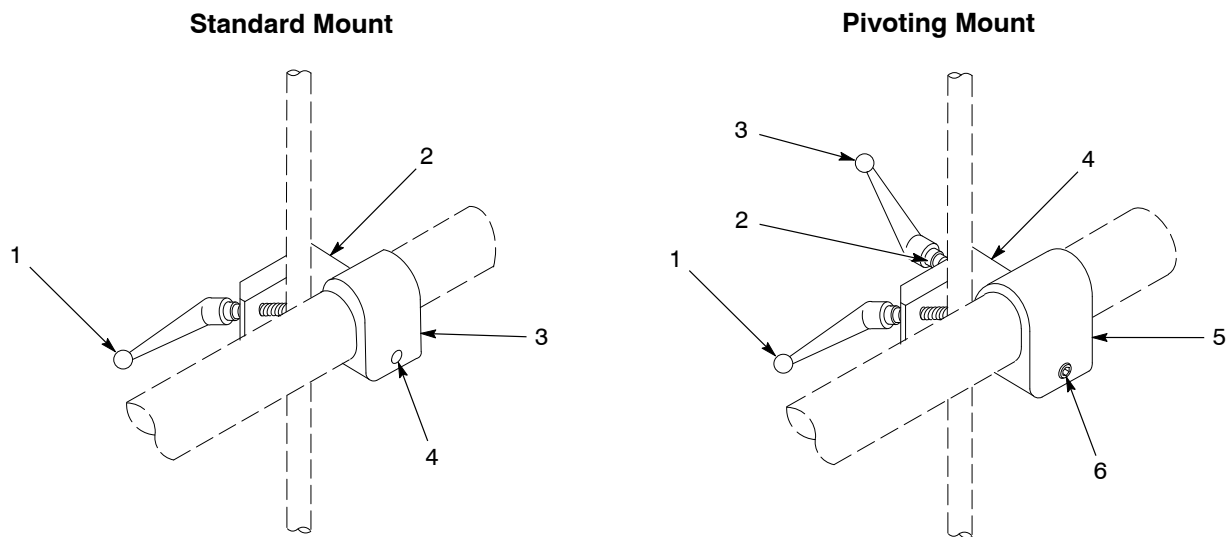


Figure 2-20 Gun Bar Mounts for Tube-Mount Guns

Extrusion Mount Assembly

Use this assembly to mount a tube-mount gun to a rigid bracket mounted on a T-slot extrusion.

See Figure 2-21.

Item	Part	Description	Quantity	Note
—	1016515	PLATE, adapter, support, gun bar assembly	1	
1	1013964	• MOUNT, sleeve, with screws, Sure Coat automatic	1	
2	981561	• • SCREW, socket, $\frac{3}{8}$ -16 x 1.00 in., zinc	3	
3	981528	• SCREW, socket, M8 x 30, zinc	2	
4	1016458	• PLATE, attachment, support, gun bar	1	
5	1016533	• NUT, T-slot, steel, M8	2	

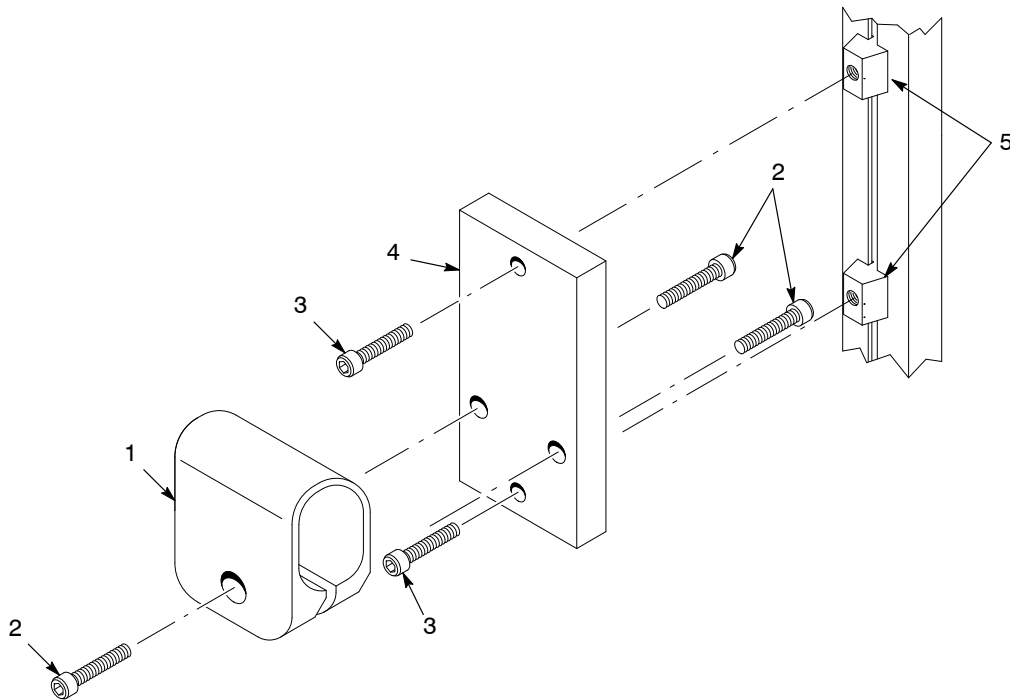


Figure 2-21 Extrusion Gun Mount Assembly for Tube-Mount Guns

Gun Bar for Bar-Mount Guns

The gun bar clamps onto 1-in. diameter mounting bars.

See Figure 2-22.

Item	Part	Description	Quantity	Note
-	341727	GUN BAR, aluminum, 1.25-in. OD x 4 ft., assembly	1	
1	327732	• BODY, locking, 1.25 in. diameter	1	
2	327704	• ROD, adjusting, aluminum, 1.25 in. OD x 4 ft	1	
3	327733	• SLEEVE, locking, 1.25 in. diameter	1	
4	248669	• BODY, adjust mounting	1	
5	248957	• HANDLE, adjust, $\frac{3}{8}$ -16 x 1.77 in.	1	
6	249074	• HANDLE, adjust, $\frac{3}{8}$ -16 x 2.75 in.	1	
7	983061	• WASHER, flat, 0.406 x 0.812 x 0.065 in., zinc	1	

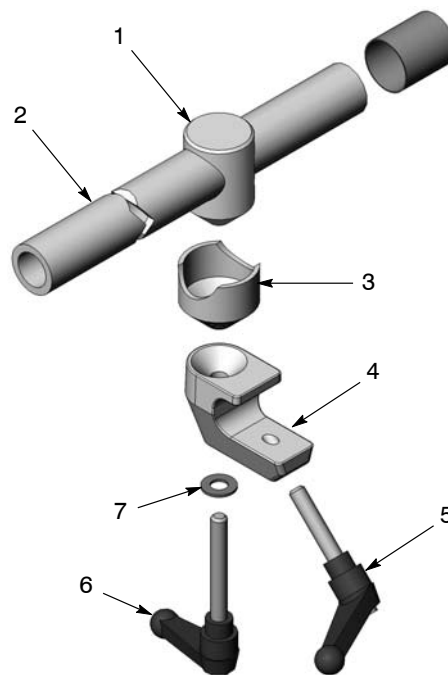


Figure 2-22 Gun Bar for Bar-Mount Guns

Encore Automatic Controllers

Encore LT Automatic Controllers

Part	Description	Note
1107870	CONTROLLER ASSEMBLY, 1 gun, Encore automatic, packaged	
1107702	CONTROLLER ASSEMBLY, 2 gun, Encore automatic, packaged	
1107792	CONTROLLER, 4 gun, Encore automatic	
1107794	CONTROLLER, 6 gun, Encore automatic	
1107795	CONTROLLER, 8 gun, Encore automatic	

Single Controller

See Figures 2-23 and 2-24.

Item	Part	Description	Note
1	-----	BEZEL, interface, controller	
2	-----	SCREW, button head, socket, M5 x 12, zinc	
3	983127	WASHER, lock, internal, M5, zinc	
4	-----	PANEL, keypad, hi temp, Encore LT/auto controller	
5	-----	SCREW, flat head, socket, M5 x 10, black	
6	1108279	KIT, PCA, control, Encore LT	
7	982881	SCREW, pan head, recessed, M4 x 6, zinc	
8	983403	WASHER, lock, split, M4, steel, zinc	
9	984702	NUT, hex, M5, brass	
10	983401	WASHER, lock, split, M5, steel, zinc	
11	983021	WASHER, flat, 0.203 x 0.406 x 0.040, brass	
12	271221	LUG, 45, double, 0.250, 0.438	
13	240674	TAG, ground	
14	1045837	SCREW, pan head, recessed, M5 x 12, w/lockwasher	
15	-----	PANEL, sub-assembly, 1 gun, Encore automatic	A

NOTE A: See Figure 2-24 for service parts.

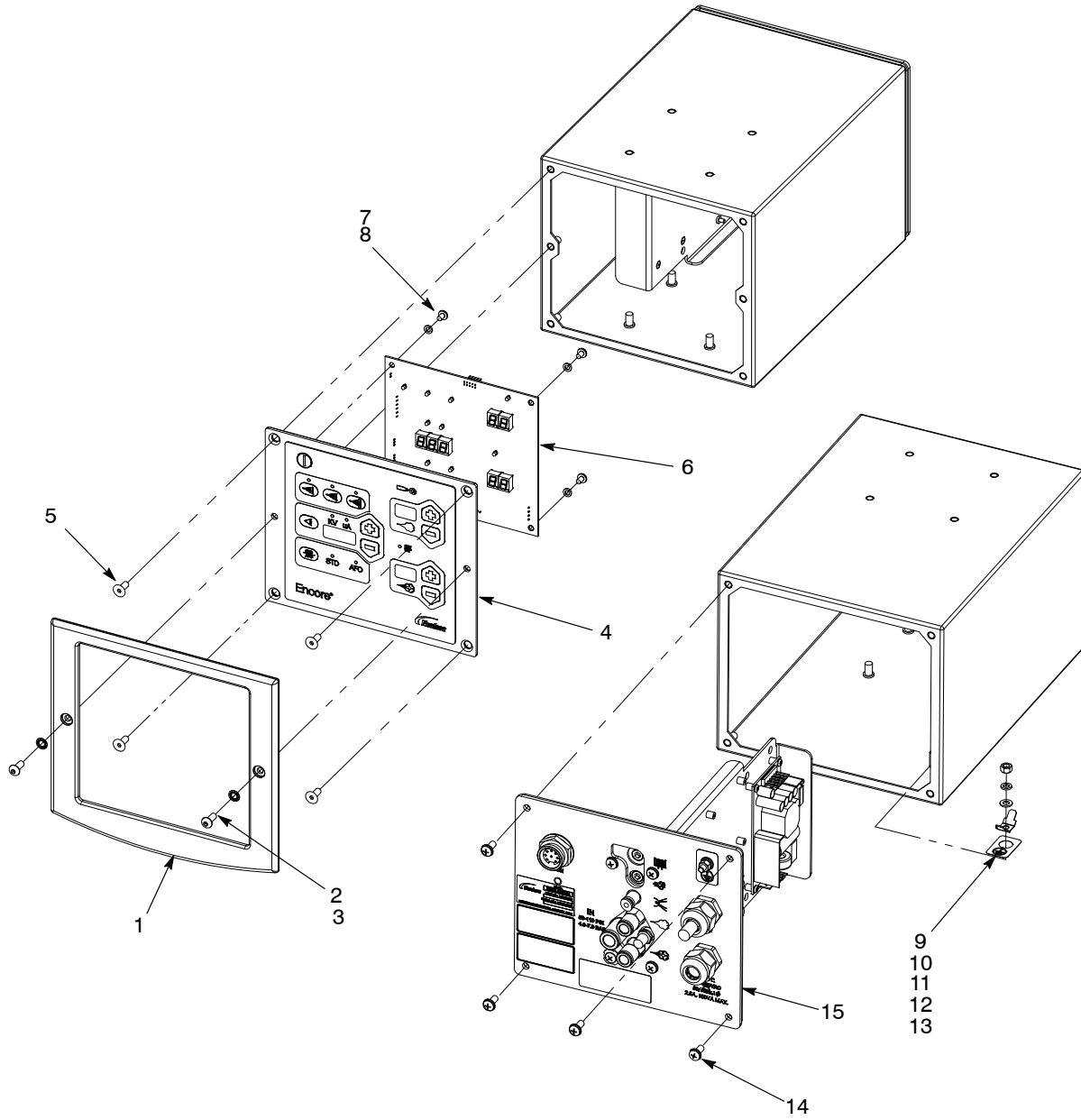


Figure 2-23 Single Controller (1 of 2)

Single Controller Rear Panel Sub-Assembly

See Figures 2-24.

Item	Part	Description	Note
–	-----	PANEL, sub-assembly, 1 gun, Encore automatic	A
16	972930	• PLUG, push-in, 8 mm tube, plastic	
17	972808	• CONNECTOR, strain relief, 1/2 in. NPT	
18	984192	• NUT, lock, 1/2 in. NPT, nylon	
19	-----	• CORD, power, 15 ft (4.6 m), w/0.250 terminals	
20	-----	• RECEPTACLE, gun, Encore, auto	
21	939122	• SEAL, conduit fitting, 1/2 in. blue	
22	1045837	• SCREW, pan head, recessed, M5 x 12, with lockwasher	
23	1068715	• WASHER, lock, dished, #10	
24	984526	• NUT, lock, 1/2 in. conduit	
25	-----	• GASKET, rear panel, Encore auto	
26	982824	• SCREW, pan head, recessed, M3 x 8, with lockwasher	
27	1107695	• POWER SUPPLY, 24VDC, 60W	
28	984702	• NUT, hex, M5, brass	
29	983401	• WASHER, lock, split, M5, steel, zinc	
30	983021	• WASHER, flat, 0.203 x 0.406 x 0.040, brass	
31	240674	• TAG, ground	
32	1108313	• MUFFLER, exhaust, R1/8	
33	1030873	• VALVE, check, M8 tube x R1/8, M input	
34	1107596	• CONNECTOR, male, w/internal hex, 10 mm tube x 1/8 in. uni-thread	
35	1062009	• CONNECTOR, male, w/internal hex, oval collar, 4 mm tube x M5	
36	1082120	• PLUG, pipe, socket, flush, R1/8, zinc	
NS	1107593	• GASKET, manifold, controller, Encore LT	
38	1099281	• VALVE, solenoid, 3 port, 24V, 0.35W	
39	-----	• REGULATOR, electro-pneumatic, w/harness, Encore automatic	
40	-----	• FILTER, line, RFI power, 3A, w/0.250 terminals	
NOTE A: See Figure 2-26 for service parts.			
NS: Not Shown			

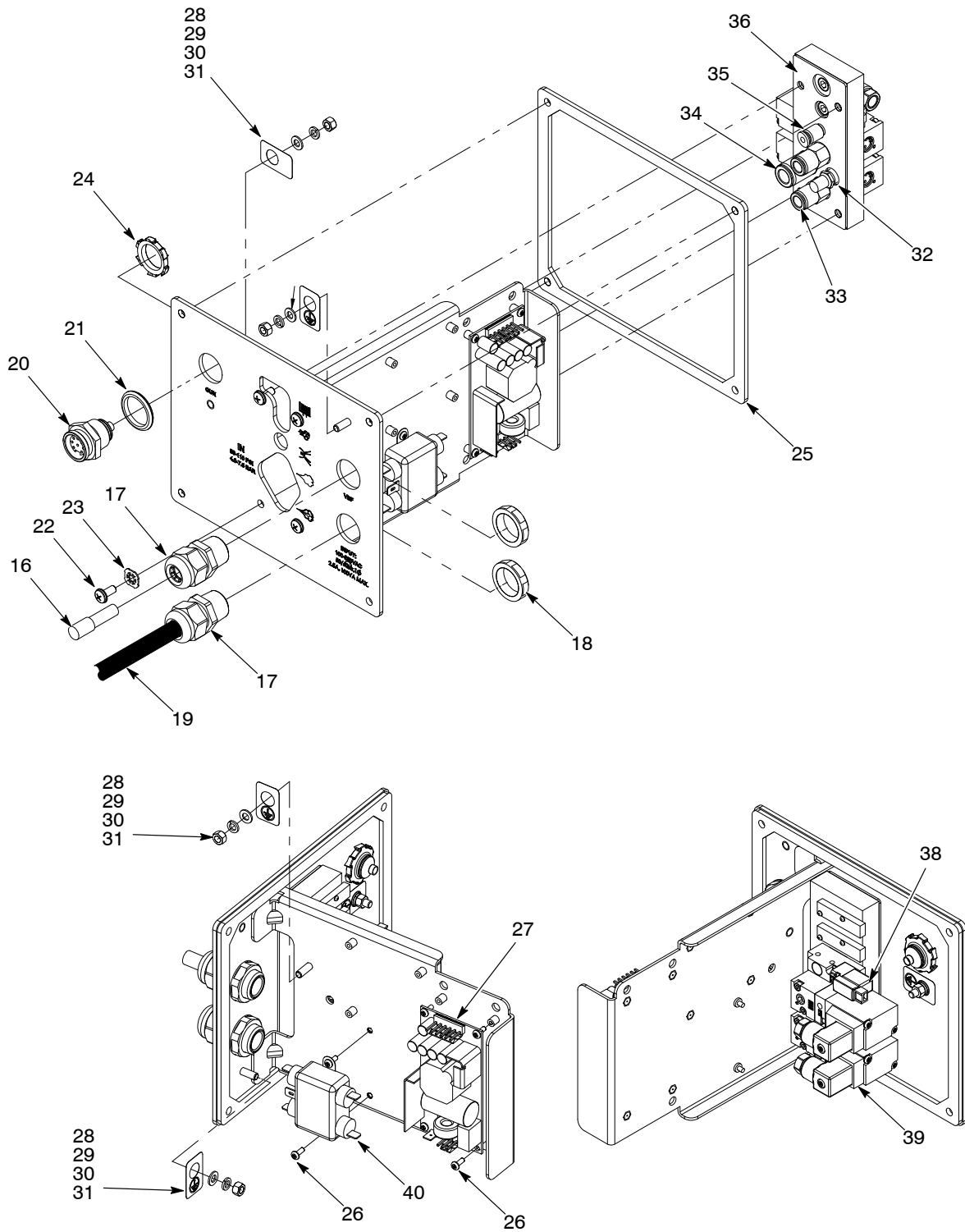


Figure 2-24 Single Controller Rear Panel (2 of 2)

Dual Controller

See Figures 2-25.

Item	Part	Description	Note
1	-----	BEZEL, interface, controller	
2	-----	SCREW, button head, socket, M5 x 12, zinc	
3	983127	WASHER, lock, internal, M5, zinc	
4	-----	PANEL, keypad, hi temp, Encore LT/auto controller	
5	-----	SCREW, flat head, socket, M5 x 10, black	
6	1108279	KIT, PCA, control, Encore LT	
7	982881	SCREW, pan head, recessed, M4 x 6, zinc	
8	983403	WASHER, lock, split, M4, steel, zinc	
9	984715	NUT, hex, M4, steel, zinc	
10	-----	FILTER, line, RFI power, 3A, w/0.25 Q.D.	
11	984702	NUT, hex, M5, brass	
12	983401	WASHER, lock, split, M5, steel, zinc	
13	983021	WASHER, flat, 0.203 x 0.406 x 0.040, brass	
14	271221	LUG, 45, double, 0.250, 0.438	
15	240674	TAG, ground	
16	1045837	SCREW, pan head, recessed, M5 x 12, w/lockwasher	
17	972930	PLUG, push-in, 8 mm tube, plastic	
18	972808	CONNECTOR, strain relief, 1/2 in. NPT	
19	984192	NUT, lock, 1/2 in. NPT, nylon	
20	-----	CORD, power, 15 ft (4.6 m), w/0.250 terminals	
21	-----	PANEL, sub-assembly, 2 gun, controller, Encore automatic	A
NOTE A: See Figure 2-26 for service parts.			
AR: As Required			

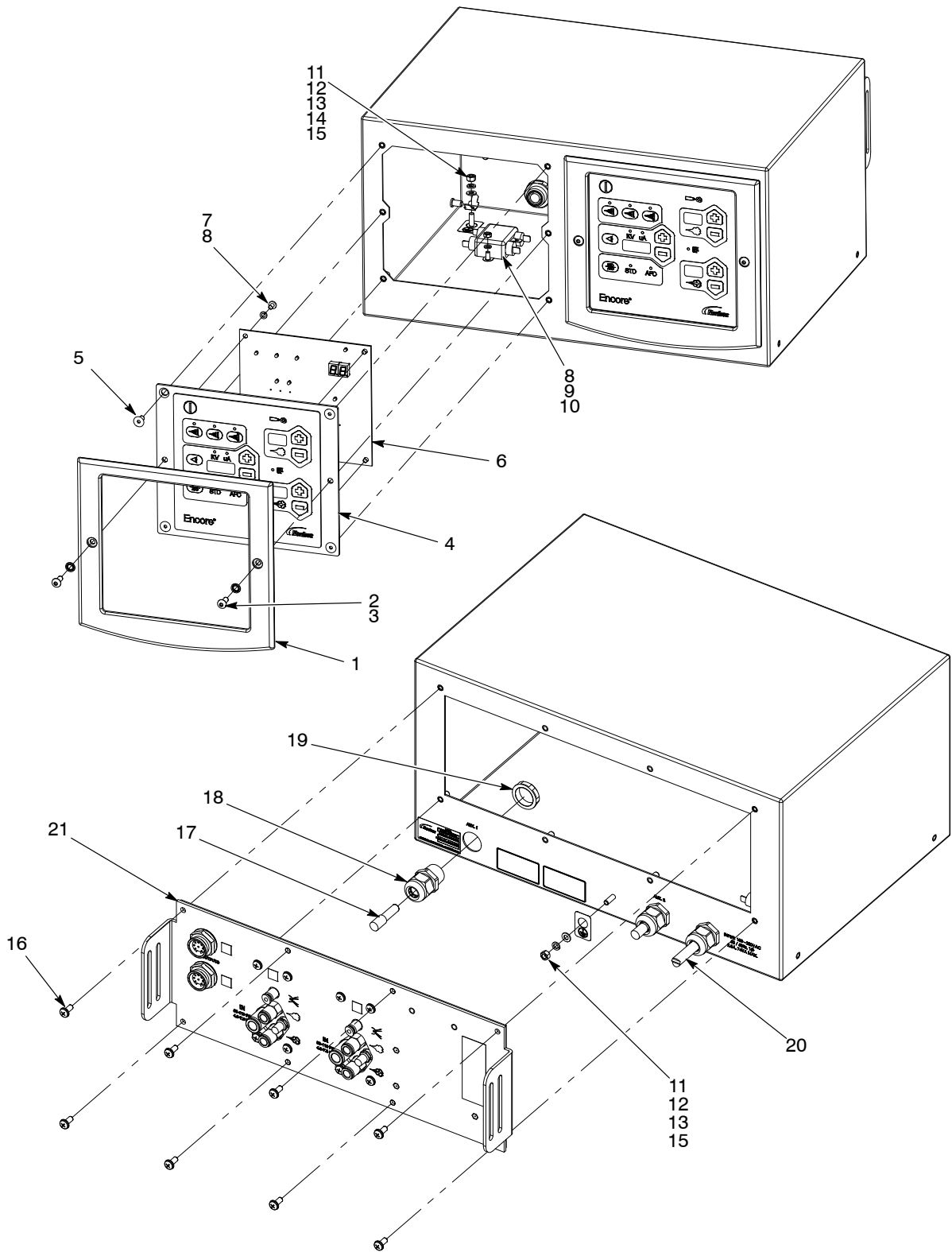


Figure 2-25 Dual Controller (1 of 2)

Dual and Multi-Gun Rear Panel Sub-Assembly

See Figures 2-26.

Item	Part	Description	Note
1	-----	RECEPTACLE, gun, Encore, auto	
2	939122	SEAL, conduit fitting, 1/2 in. blue	
3	1045837	SCREW, pan head, recessed, M5 x 12, with lockwasher	
4	1068715	WASHER, lock, dished, #10	
5	984526	NUT, lock, 1/2 in. conduit	
6	-----	GASKET, rear panel, Encore auto	
7	982824	SCREW, pan head, recessed, M3 x 8, with lockwasher	
8	1107695	POWER SUPPLY, 24VDC, 60W	
9	984702	NUT, hex, M5, brass	
10	983401	WASHER, lock, split, M5, steel, zinc	
11	983021	WASHER, flat, 0.203 x 0.406 x 0.040, brass	
12	302189	WIRE, ground assembly, 10.5 in.	
13	240674	TAG, ground	
14	1108313	MUFFLER, exhaust, R1/8	
15	1030873	VALVE, check, M8 tube x R1/8, M input	
16	1107596	CONNECTOR, male, w/internal hex, 10 mm tube x 1/8 in. uni-thread	
17	1062009	CONNECTOR, male, w/internal hex, oval collar, 4 mm tube x M5	
18	1082120	PLUG, pipe, socket, flush, R1/8, zinc	
19	1107593	GASKET, manifold, controller, Encore LT	
20	1099281	VALVE, solenoid, 3 port, 24V, 0.35W	
21	1107597	REGULATOR, electro-pneumatic	

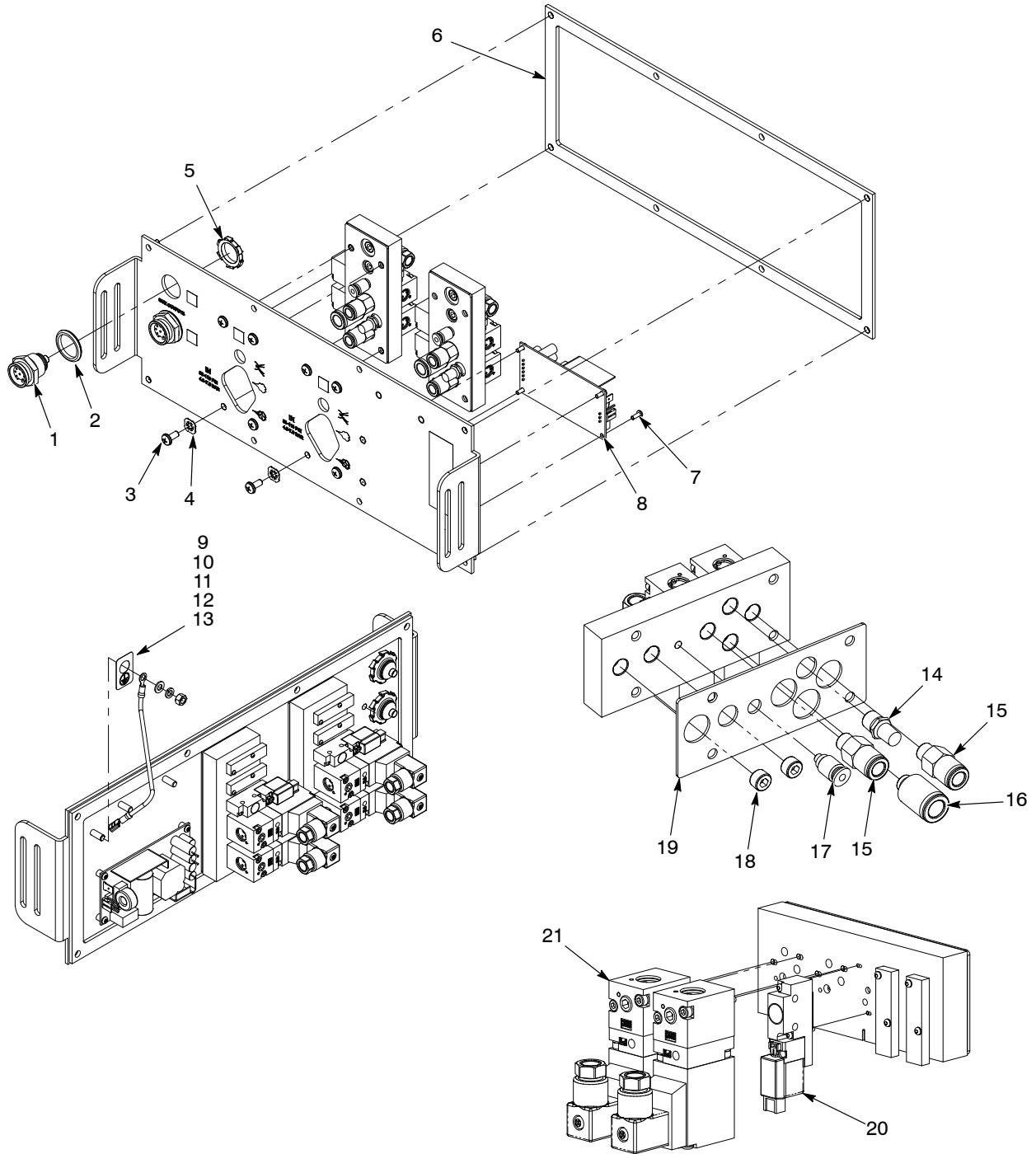


Figure 2-26 Rear Panel Sub-Assembly Parts – Dual and Multi-Gun Controllers (2 of 2)

Multi-Gun Controller

Multi-Gun Controller Front Panel

See Figures 2-27.

Item	Part	Description	Note
1	-----	BEZEL, interface, controller	
2	-----	SCREW, button head, socket, M5 x 12, zinc	
3	983127	WASHER, lock, internal, M5, zinc	
4	-----	PANEL, keypad, hi temp, Encore LT/auto controller	
5	-----	SCREW, flat head, socket, M5 x 10, black	
6	1108279	KIT, PCA, control, Encore LT	
7	982881	SCREW, pan head, recessed, M4 x 6, zinc	
8	983403	WASHER, lock, split, M4, steel, zinc	
9	984715	NUT, hex, M4, steel, zinc	
10	-----	FILTER, line, RFI power, 3A, w/0.25 Q.D.	
11	984702	NUT, hex, M5, brass	
12	983401	WASHER, lock, split, M5, steel, zinc	
13	983021	WASHER, flat, 0.203 x 0.406 x 0.040, brass	
14	240674	TAG, ground	
15	334806	SWITCH, round, 2 position, 90 degree	
16	1000594	SWITCH, keylock, 3 position	

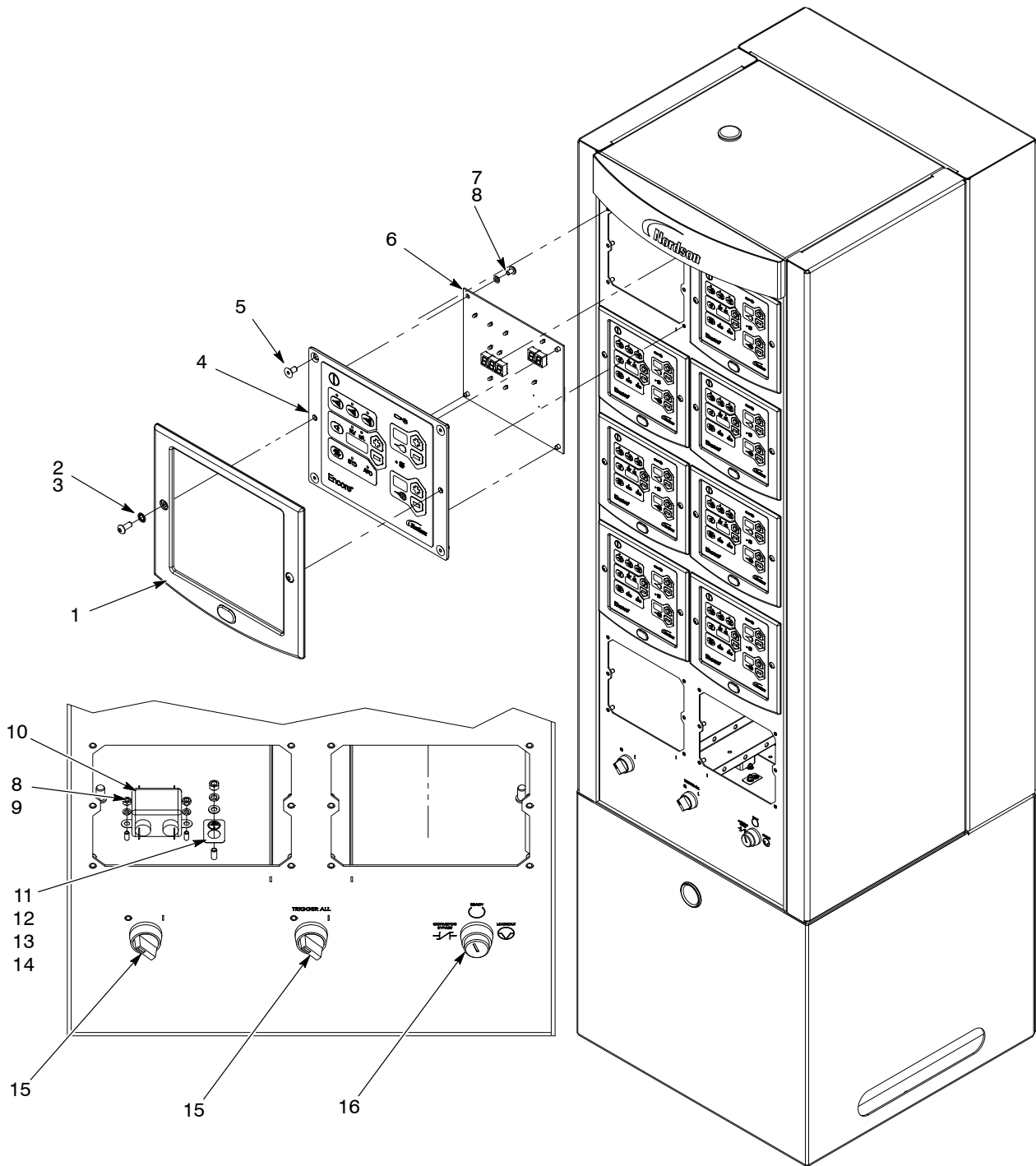


Figure 2-27 Multi-Gun Controller Front Panel

Multi-Gun Controller Rear Panel

See Figures 2-28.

Item	Part	Description	Quantity	Note
1	-----	PANEL, sub-assembly, 2 gun, controller, Encore automatic	AR	A
2	1045837	SCREW, pan head, recessed, M5 x 12, with lockwasher,	AR	
3	984702	NUT, hex, M5, brass	2	
4	983401	WASHER, lock, split, M5, steel, zinc	2	
5	983021	WASHER, flat, 0.203 x 0.406 x 0.040, brass	2	
6	-----	TERMINAL BLOCK ASSEMBLY, Encore LT automatic	1	
7	1108311	KIT, PCA, trigger distribution, Encore LT	1	
8	982824	SCREW, pan head, recessed, M3 x 8, with lockwasher	4	
9	972930	PLUG, push-in, 8 mm, tube, plastic	AR	
10	972808	CONNECTOR, strain relief, 1/2 in. NPT	AR	
11	984192	NUT, lock, 1/2 in. NPT, nylon	AR	
12	900740	TUBING, polyurethane, 10/6.5-7 mm, blue	AR	
13	1107759	FITTING, 3/8 RPT, 4, 10 mm tube	2	
14	-----	CONNECTOR, male, elbow, 6 mm tube x 3/8 in. uni-thread	1	
15	972143	CONNECTOR, male, elbow, 16 mm tube x 1/2 in. uni-thread	1	
16	900742	TUBING, polyurethane, 6/4 mm, blue	AR	
17	972399	CONNECTOR, male, w/internal hex, 6 mm tube x 1/8 in. uni-thread	1	
18	973572	COUPLING, pipe, hydraulic, 1/8 in., steel, zinc	1	
19	1043857	GAUGE, air, 0-100 psi, 0-7 bar, 1-1/2 in.	1	
20	984702	NUT, hex, M5, brass	2	
21	983401	WASHER, lock, split, M5, steel, zinc	2	
22	983021	WASHER, flat, 0.203 x 0.406 x 0.040, brass	2	
23	271221	LUG, 45, double, 0.250, 0.438	1	
24	240674	TAG, ground	2	
25	-----	GASKET, distribution tray, Encore automatic	1	
26	148256	PLUG, 10 mm, tubing	AR	
27	1600608	FILTER, mist separator, 0.3 micron, 1/2 NPT	1	
28	1600609	• FILTER ELEMENT, mist separator, 0.3 micron	1	
29	-----	NIPPLE, steel, schedule 40, 1/2 in. NPT, 1.12 in.	1	
NS	240976	CLAMP, ground, w/wire	1	

NOTE A: Refer to Rear Panel Sub-Assembly on page 2-46 for a parts breakdown.

AR: As Required

NS: Not Shown

See Figure 2-26 for the dual and multi-gun rear panel sub-assembly and parts list. Each panel provides the outputs for 2 automatic spray guns.

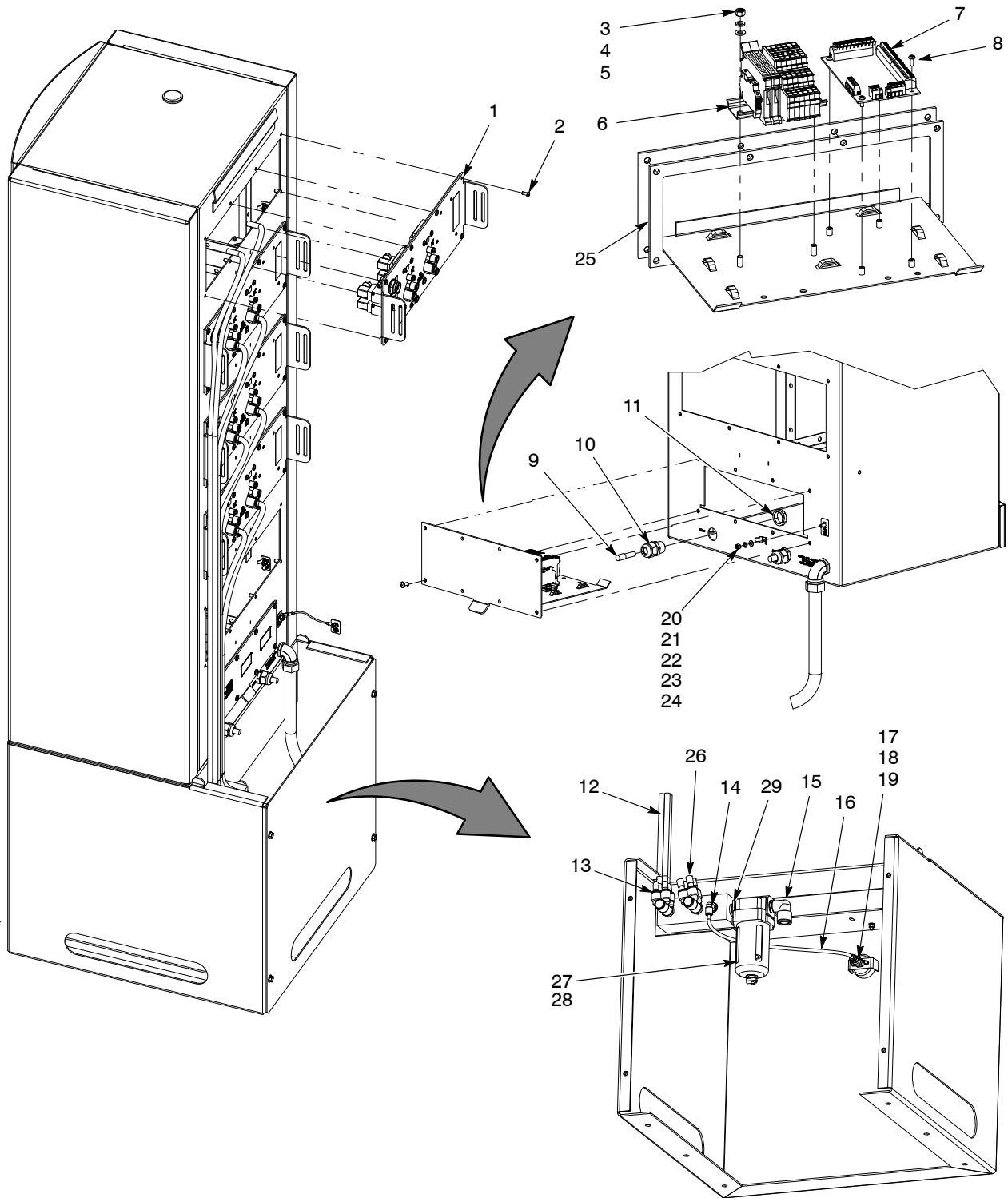


Figure 2-28 Multi-Gun Controller Rear Panel

Encore Automatic System Components

Encore LT System Kit Options

Part	Description	Quantity	Note
1107918	KIT, wall mount, Encore auto	1	A
1600566	KIT, filter, Encore LT	1	B

NOTE A: Use for mounting a one or two dual controllers on a wall.
 B: Optional filter kit for use with single and dual gun controllers. Kit includes fittings and mounting bracket.

Miscellaneous Parts

Part	Description	Note
1018157	Regulator, assembly, 0–25 psi, 0–1.7 bar, vertical 1 A	
1096786	Filter/Regulator, assembly, with fittings	
1097103	• Filter, element, air, 5 microns, LFR	
1091429	Kit, input air, Encore manual systems	

Section 3

Encore® HD Systems

NOTE: For complete parts lists refer to individual component manuals:

1605707 Encore HD Manual Powder Spray System
 1602018 Encore HD Automatic Spray Guns
 1604869 Encore HD Manual Powder Spray Gun
 1604971 Lance Extensions for Encore HD Manual Powder Spray Guns
 1604870 Encore HD Manual Powder Spray System Controller

NOTE: Refer to the *Encore and Encore HD Nozzles* section for information on Encore HD nozzles and nozzle kits. Both Encore venturi and Encore HD share the same nozzles.

NOTE: Refer to the *Powder Pumps* section for information on Prodigy® pumps and pump cabinet components.

NOTE: See the iControl section for information on iControl and iControl 2 automatic controllers.

NOTE: For **Prodigy to Encore HD Manual Powder Spray System Upgrade Kit**, refer to parts list for Encore HD Manual Spray Gun and Encore HD Manual Powder Spray System Controller.

Encore HD Manual Spray Systems	3-2
Mobile System Components	3-3
Wall/Rail Mount System	3-4
Miscellaneous Options	3-4
Encore HD Manual Spray Gun	3-5
Lance Extensions	3-8
Ion Collector Kit	3-9
Ion Collector Components for Lance Extensions	3-9
Pump Control Unit	3-10
Panel Assembly	3-12
iFlow Module	3-15
Manifold Assembly	3-16
Encore HD Manual Powder Spray System Controller	3-18
Controller Interconnect Cable	3-18
Rail Mount Exploded View	3-20
Encore HD Automatic Spray Guns	3-21
Tube Mount	3-21
External Diffuser	3-24
Bar Mount	3-25
External Diffuser	3-28
Options	3-29
Optional Six-Foot Tube Mount Automatic Gun	3-29
Hose Hanger	3-29
Cables	3-29
Tube Mount Gun Mounting Assemblies	3-30
Standard Mount Assembly	3-30
Pivot Mount Assembly	3-30
Extrusion Mount Assembly	3-31
Gun Bar for Bar Mount Guns	3-32
Ion Collector Kit	3-33

Encore HD Manual Spray Systems

Part	Description
1606273	Encore HD 50 lb Hopper Mobile System
1606274	Encore HD 115 V VBF Mobile System
1606275	Encore HD 230 V VBF Mobile System
1606981	Encore HD Single Standalone Manual System
1606982	Encore HD Dual Standalone Manual System
1606983	Encore HD Rail/Wall Mount Manual System

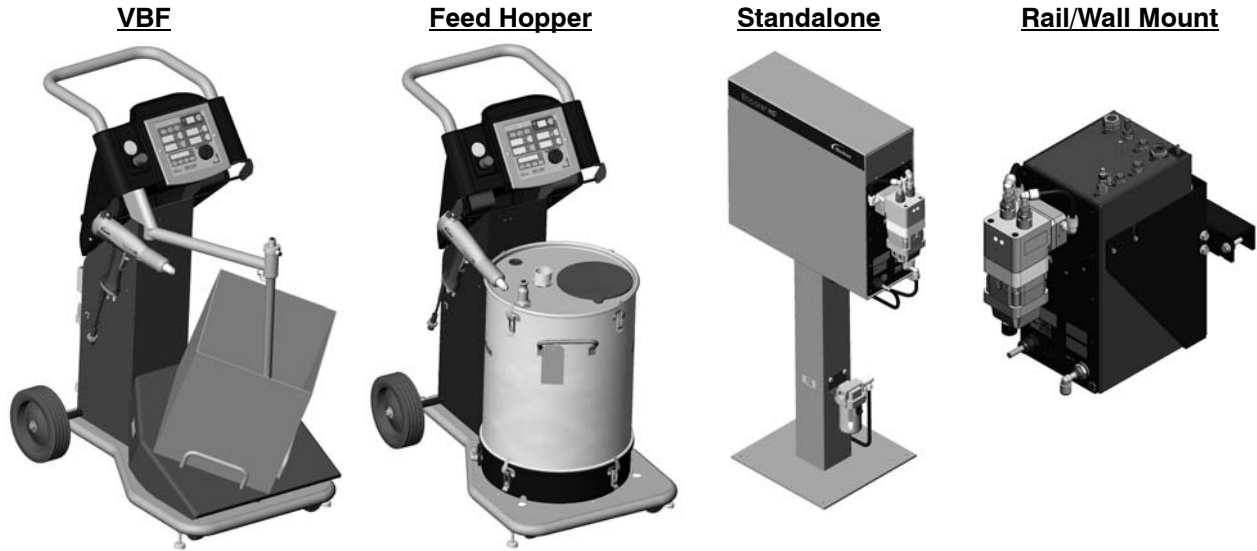


Figure 3-29 Encore HD Manual Spray Systems

Mobile System Components

See Figure 3-30.

Item	Part	Description	Quantity	Note
Hopper				
1	1608300	TUBE, pickup, HDLV hopper	1	
1A	941145	• O-RING, silicone, cond, 0.625 x 0.812	2	
VBF				
2	1606300	TUBE, Encore powder pickup, VBF	1	
2A	1096788	• CONNECTOR, 6mm tube x R 1/8, dia 0.7mm orifice	1	E
2B	1606230	• DISC, fluidizing, powder box lance	1	
2C	940117	• O-RING, silicone, 0.312 x 0.438 x 0.063	1	
NS	1103081	ARM ASSEMBLY, pickup tube, Encore MPS, packaged	1	
3	1084760	ISOLATOR, vibration, 1.0 dia x 1.5 x 5/16 studs	3	
4	1080952	VIBRATOR, electric, 115V, 60 Hz, w/connector	1	A, F
4	1080950	VIBRATOR, electric, 230V, 50 Hz, w/connector	1	A
NS	1101127	• FILTER ELEMENT, air, coalescing, 0.3 micron	1	
NS	972286	REDUCER, 8 mm stem x 6 mm tube	1	C
NS	148256	PLUG, 10 mm, tubing	1	D
NS	1096787	UNION, bulkhead, conductive, 6 mm tube	1	E
NS	1067694	KIT, ground bus bar, ESD, 6 position, with hardware	1	
NS	1080718	CABLE, interface/controller, 10 ft.	1	
<p>NOTE A: Order the correct vibrator motor for your system.</p> <p>B: Fluidizing air regulator mounted next to interface module.</p> <p>C: installed in power unit fluidizing air output fitting.</p> <p>D: Plugs unused port in system air filter/regulator output fitting.</p> <p>E: Conductive fitting. Do not replace this fitting with a non-conductive fitting.</p> <p>F: For motors with a model number of MVE21M, a 4.0 µF capacitor (1600471) must be used in the controller power unit. If the motor model number is MVE20, then a 2.0 µF capacitor (1083021) is acceptable.</p> <p>G: Refer to pump manual 1095927 for repair kits.</p> <p>NS: Not Shown</p>				

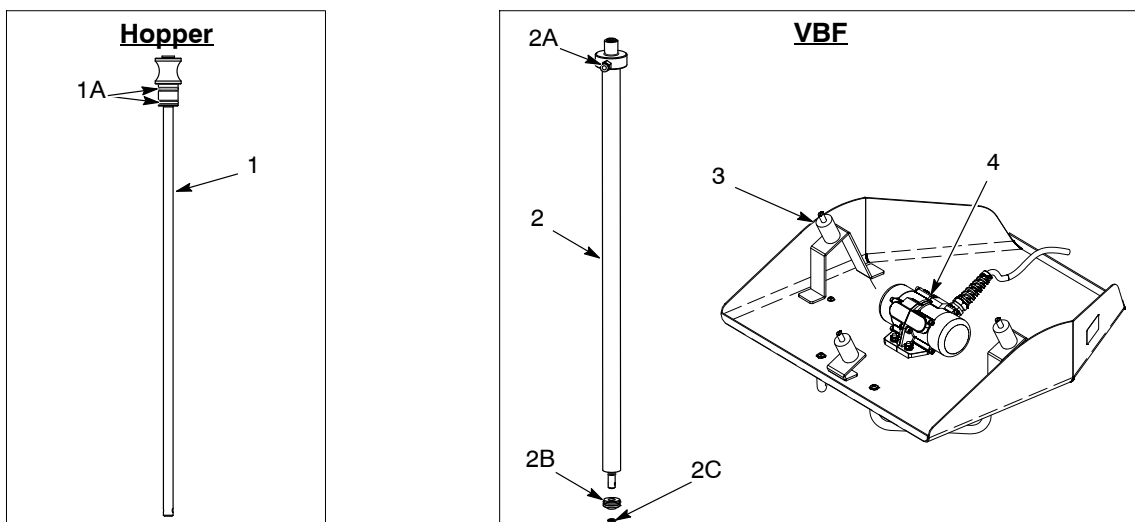


Figure 3-30 Miscellaneous Mobile System Parts

Wall/Rail Mount System

Part	Description	Quantity	Note
1600566	KIT, filter, Encore LT	1	
1600608	• FILTER, mist separator, 0.3 micron, 1/2 in. NPT	1	
1600609	• • FILTER ELEMENT, separator, 0.3 micron	1	
971103	• CONNECTOR, male, 10 mm tube x 1/2 unithread	2	
1600607	• CONNECTOR Y branch, 10 mm tube x 1/2 in. unithread	1	
-----	• BRACKET, assembly, mounting, modular air filter	1	
972286	REDUCER, 8 mm stem x 6 mm tube	1	A
1067694	KIT, ground bus bar, ESD, 6 position, with hardware	1	
1080718	CABLE, interface/controller, 10 ft.	1	
NOTE A: Installed in power unit fluidizing air output fitting.			

Miscellaneous Options

Part	Description	Quantity	Note
1091429	KIT, input air, Encore HD manual systems	1	
972841	• CONNECTOR, male, 10 mm tube x 1/4 in. unithread	1	
971102	• CONNECTOR, male, 10 mm tube x 3/8 in. unithread	1	
973500	• COUPLING, pipe, hydraulic, 1/4 in., steel, zinc	1	
973520	• COUPLING, pipe, hydraulic, 3/8 in., steel, zinc	1	
900740	• TUBING, polyurethane, 10 mm, blue	20 ft	A
1096786	FILTER/REGULATOR, assembly, with fittings (particulate)	1	B
1097103	• FILTER ELEMENT, air, 5 micron	1	B
NOTE A: Order replacement tubing in increments of one foot.			
NOTE B: OEM assembly part number AW20-02BE-CR. Order the correct filter element for your filter/regulator. Elements are not interchangeable.			

Encore HD Manual Spray Gun

See Figure 3-31.

Item	Part	Description	Quantity	Note
–	1603160	GUN ASSEMBLY, manual, Encore HD	1	
1	1081638	• NUT, nozzle, handgun	1	
2	1081657	• NOZZLE, flat spray, 3 mm	1	A
3	1604824	• ELECTRODE ASSEMBLY, Encore, flat spray	1	F
3A	1106078	• • ELECTRODE, spring contact	1	
3B	1605863	• • HOLDER, electrode, M3, flat spray, Encore	1	F
4	1606082	• KIT, powder outlet tube, Encore HD	1	D
4A	1097527	• • SEAL, tube, powder	1	
4B	1081785	• • O-RING, silicone, 0.468 x 0.568 x 0.05 in.	1	
5	1096695	• ELBOW, powder tube, handgun	1	D
6	1608280	• KIT, neg power supply/manual body, Encore	1	
7	1088558	• • FILTER ASSEMBLY, handgun		
8	1088502	• GASKET, multiplier cover, handgun	1	
9	1106872	• BULKHEAD, multiplier, handgun, Encore HD	1	
10	1100986	• KIT, handgun display module, Encore	1	
NS	1085631	• • SUPPORT, adhesive, handgun, Encore	1	
11	1087760	• HOOK, handgun	1	
12	1102648	• BEZEL, shield, plated	1	
13	345071	• SCREW, pan head, recessed, M3 x 35, BZN	2	
14	1101872	• KIT, trigger switch, Encore HD	1	
NS	1085631	• • SUPPORT, adhesive, handgun, Encore	1	
15	983520	• WASHER, lock, internal, M3, zinc	1	
16	982427	• MACHINE SCREW, pan head, recessed, M3 x 6, zinc	1	
17	1106871	• HANDLE, ground pad, handgun, Encore HD	1	
18	1081777	• RETAINING RING, external, 10 mm	1	
19	1600745	• CABLE ASSY, handgun, 6 meter, Encore HD	1	E
19A	940129	• • O-RING, silicone, conductive, 0.375 x 0.50in.	1	
20	1087762	• BASE, handle, handgun	1	
21	760580	• SCREW, Philips head, M3 x 20, zinc	2	
22	1081617	• CHECK VALVE, male, M5 x 6 mm	1	
23	1081616	• FITTING, bulkhead, barb, dual, 10–32 x 4 mm	1	
24	1608282	• KIT, inlet tube and hose adapter, Encore HD, Gen 2	1	
24A	1084773	• • O-RING, silicone, 18 mm ID x 2 mm wide	2	
24B	1081785	• • O-RING, silicone, 0.468 x 0.568 x 0.05 in.	1	
24C	1606709	• • O-RING, PUR, 0.551 x 0.07 x 0.7	2	
24D	940137	• • O-RING, silicone, 0.437 x 0.562 x 0.063	1	
25	1600819	• HANDLE, handgun, Encore HD	1	
26	1106892	• ACTUATOR, switch, trigger, Encore HD	1	
27	1606999	• KIT, service, Encore trigger axle/trigger	1	
28	1081540	• TRIGGER, setting, handgun	1	

Continued...

Item	Part	Description	Quantity	Note
29	1088601	• SCREW, flat head, recess, M5x 10, nylon	1	
30	1606998	• AXLE, trigger, spray gun, Encore	1	G
31	1604828	• KIT, conical nozzle, Encore	1	
32	1083206	• DEFLECTOR assembly, conical, 26 mm	1	A
32A	1098306	• • O-RING, Viton, 3 mm x 1.1 mm wide	1	B
33	1082060	• NOZZLE, conical	1	A
34	1605861	• HOLDER, electrode, M3, conical, Encore	1	
NS	900617	• TUBE, polyurethane, 4 mm OD, clear	AR	C
NS	900741	• TUBING, polyurethane, 6/4 mm, black	AR	C
NS	900620	• TUBING, poly, spiral cut, 3/8 in. ID	AR	C
NS	1081658	• NOZZLE, flat spray, 4 mm	1	A

NOTE A: 3- and 4-mm flat spray nozzles, conical nozzle, and deflector are shipped with the spray gun. Refer to the following pages for optional nozzles.

B: This O-ring is a component of all deflectors.

C: Order in increments of one foot or one meter.

D: Also available in wear resistant material. Refer to *Spray Gun Options*.

E: Optional 6 meter extension available; refer to *Spray Gun Options*.

F: For flat spray nozzle use only. Use kit item 32 to convert for conical nozzle and deflector use.

G: Included with trigger switch kit 1101872.

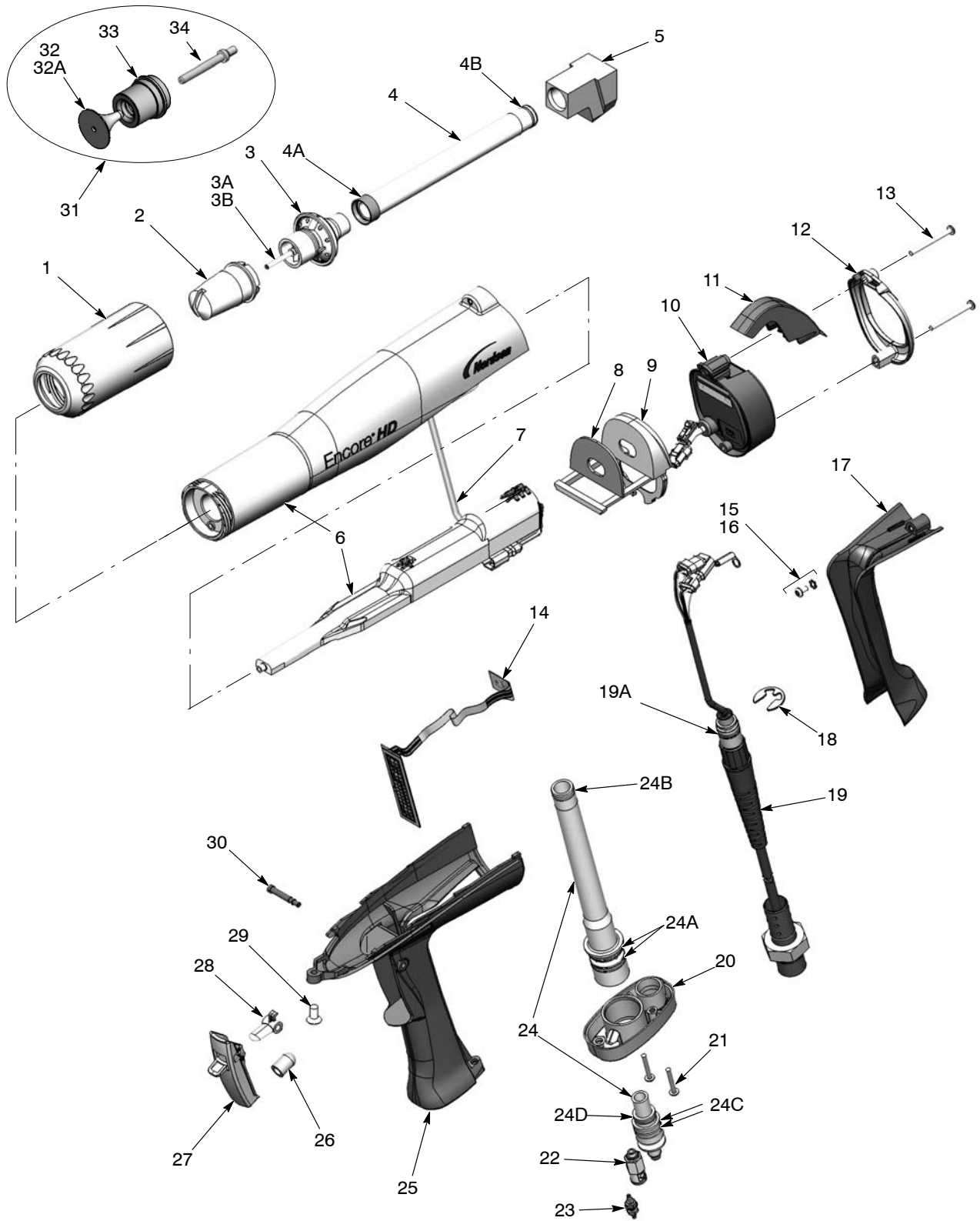


Figure 3-31 Exploded View of Encore HD Manual Spray Gun and Accessories

Lance Extensions

The nozzles listed in the *Encore and HD Nozzles* section the preceding pages install directly on the lance extensions. Refer to the instruction sheet shipped with the lance extensions for installation instructions and repair parts.

NOTE: A conical electrode holder is required for use with conical deflectors and lance extensions. See the *Encore and HD Nozzles* section for more information.

Part	Description	Note
1604965	EXTENSION, lance, 150 mm, Encore HD	A
1604970	EXTENSION, lance, 300 mm, Encore HD	A
NOTE A: If a longer lance extension is required, contact your Nordson representative.		

Ion Collector Kit

This kit installs on the standard length gun. Refer to the instruction sheet shipped with the spray gun for installation instructions and repair parts.

Part	Description	Note
1603854	KIT, ion collector assembly, manual, Encore (std length gun)	

Ion Collector Components for Lance Extensions

To use the ion collector kit listed above with 150-mm or 300-mm Lance Extensions, order one of the rods and the bracket listed below. Refer to the instruction sheet shipped with the kit for installation instructions.

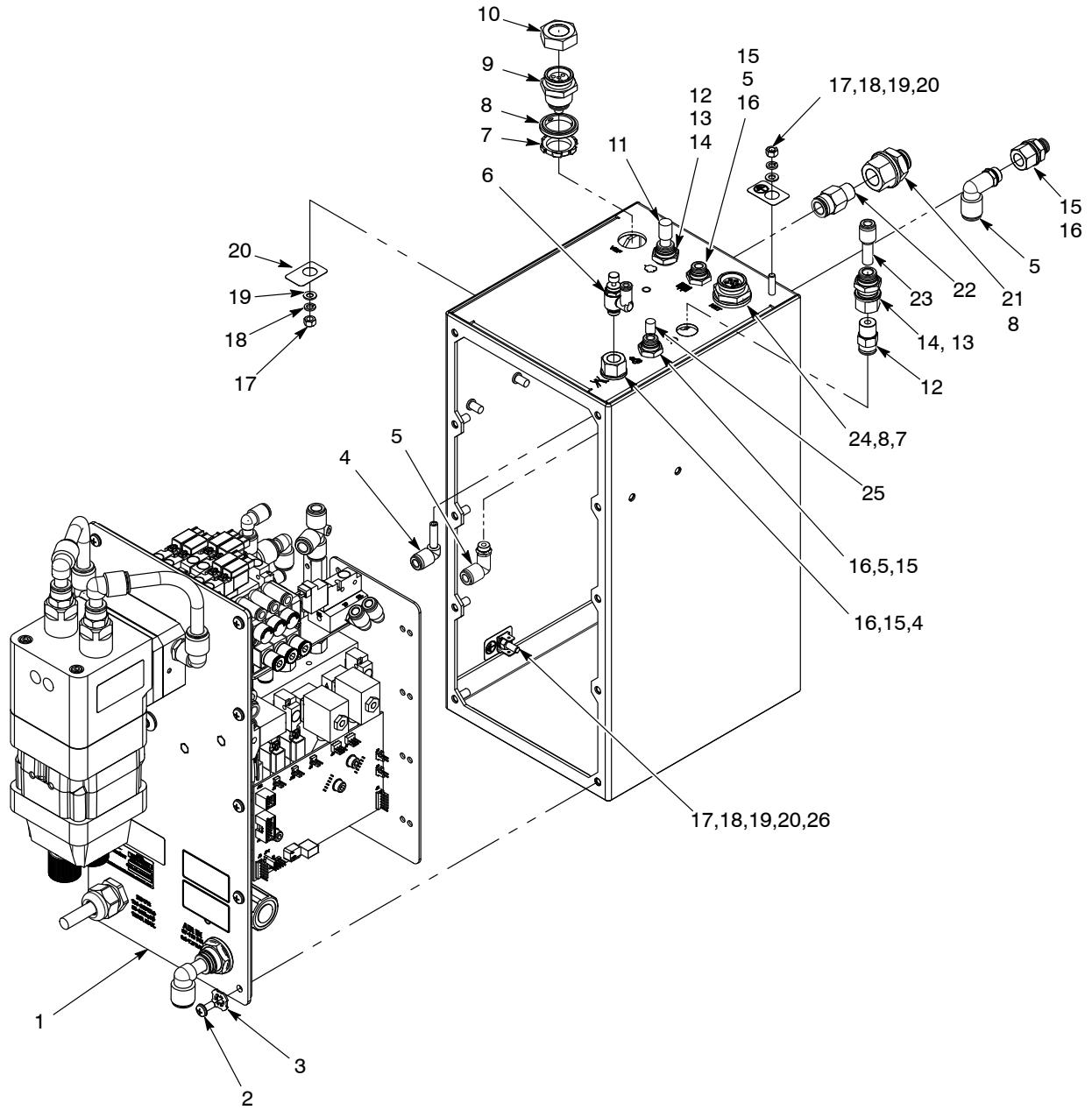
Item	Part	Description	Quantity	Note
—	189483	ROD, ion collector, 15 in.	1	A
—	189484	ROD, ion collector, 21 in.	1	B
NOTE A: Use for 150-mm lance extension. B: Use for 300-mm lance extension.				

Pump Control Unit

See Figure 3-32. If ordering a new pump control unit, order the correct voltage.

Item	Part	Description	Quantity	Note
—	1606977	PUMP CONTROL UNIT, 115 V, Encore HD		
—	1606978	PUMP CONTROL UNIT, 230 V, Encore HD		
1	-----	• PANEL, controller, power/pneumatic	1	
2	1045837	• SCREW, pan, recessed, M5 x 12, with internal lock washer bronze	10	
3	1068715	• WASHER, lock, dished, #10	1	
4	1108673	• CONNECTOR, elbow, plug-in, 6 mm T	1	
5	972126	• CONNECTOR, male, elbow, 6 mm T x 1/8 uni	3	
6	1082612	• VALVE, flow control, 4 mm x 1/8 uni	1	
7	984526	• NUT, lock, 1/2 conduit	2	
8	939122	• SEAL, conduit fitting, 1/2, blue	3	
9	1605823	• HARNESS, receptacle out, VBF, controller, Encore HD	1	
10	1023695	• SEAL, bulkhead, 7/8-16 thread	1	
11	972930	• PLUG, push-in, 8 mm T, plastic	1	
12	1603928	• CONNECTOR, male, 8 mm x 1/4 RPT	2	
13	1005067	• UNION, F bulkhead, 8 mm T x 1/4 RPT	2	
14	1605763	• WASHER, sealing, M16, buna-N and steel, zinc	3	
15	955063	• RING, sealing, 1/4	4	
16	309488	• UNION, F bulkhead, 6 mm T x 1/8 RPT	4	
17	984702	• NUT, hex, M5, brass	3	
18	983401	• WASHER, lock, M, split, M5, steel, zinc	3	
19	983021	• WASHER, flat, E, 0.203 x 0.406 x 0.040, bronze	3	
20	240674	• TAG, ground	3	
21	1005068	• UNION, F bulkhead, 10 mm T x 1/4 RPT	1	
22	1604303	• CONNECTOR, male, 10 mm T x 1/4 RPT, with seal	1	
23	972286	• REDUCER, 8 mm stem x 6 mm T	1	
24	1605982	• RECEPTACLE, network, Encore HD controller	1	
25	183804	• PLUG, blanking, 6 mm T	1	
26	933469	• LUG, 90, double, 0.250 x 0.438	1	
NS	939110	• CABLETIE, 3.9 in, 185F/85C, nylon, natural	10	

NS: Not Shown



10013427

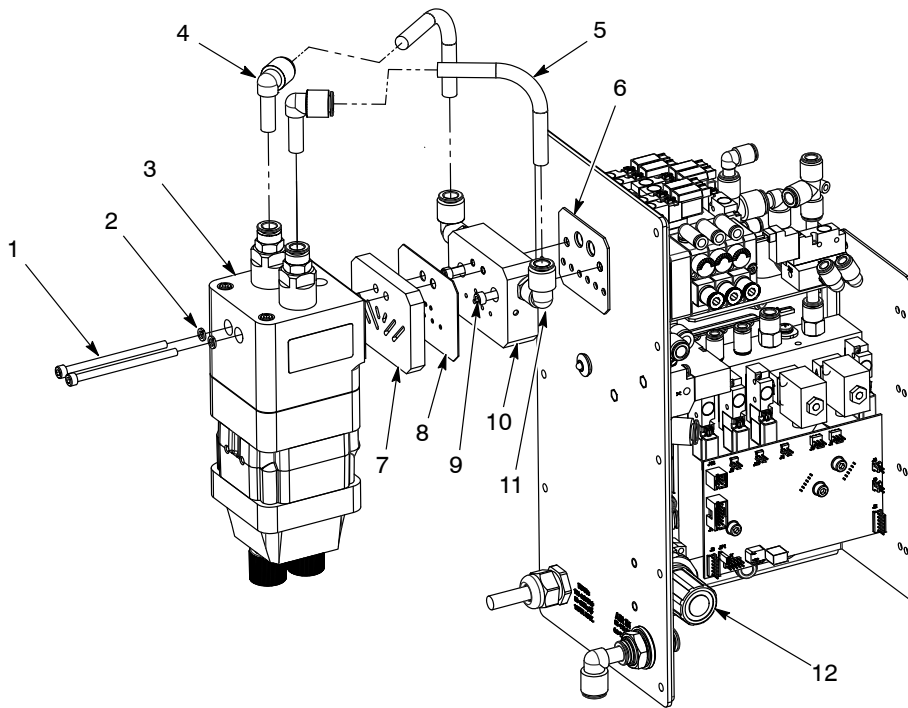
Figure 3-32 Pump Control Unit

Panel Assembly

See Figure 3-33.

Item	Part	Description	Quantity	Note
—	-----	PANEL, Encore controller power/pneumatic	1	
1	345536	• SCREW, socket, M5 x 80, bl	2	
2	983401	• WASHER, lock, M, split, M5, steel, zinc	4	
3	1081114	• PUMP ASSEMBLY, HDLV, Gen II	1	
4	1052893	• ELBOW, plugin, 10 mm T x 10 mm stem, plastic	3	
5	1608085	• KIT, Encore power/pneumatic panel tubing	1	
6	1604073	• GASKET, pump manifold, Encore HD	1	
7	1605761	• ADAPTER, Prodigy G3 pump-Encore HD manifold	1	
8	1606256	• GASKET, Prodigy adapter plate	1	
9	982029	• SCREW, socket, M5 x 30, bl	2	
10	1606254	• BASE, Prodigy, G3-Encore adapter	1	
11	972125	• CONNECTOR, male, elbow, 10 mm T x 1/4 uni	2	
12	1100310	• REGULATOR, 1/8, 1/4 NPT, 7-125 psi, pneumatic panel	1	

Continued...



10014746

Figure 3-33 Panel Assembly Parts (1 of 3)

Panel Assembly (contd)

See Figure 3-34.

Item	Part	Description	Quantity	Note
4	1052893	• ELBOW, plugin, 10 mm T x 10 mm stem, plastic	3	
13	1605376	• HARNESS, blue LED, with housing, Encore HD	1	
14	1027585	• VALVE, solenoid, 3-way, sub-base	1	
15	1605442	• MODULE, digital airflow, manual system, Encore HD	1	
16	1604082	• VALVE, solenoid, 3-port, 24 Vdc, 1/4 NPTF	1	

Continued...

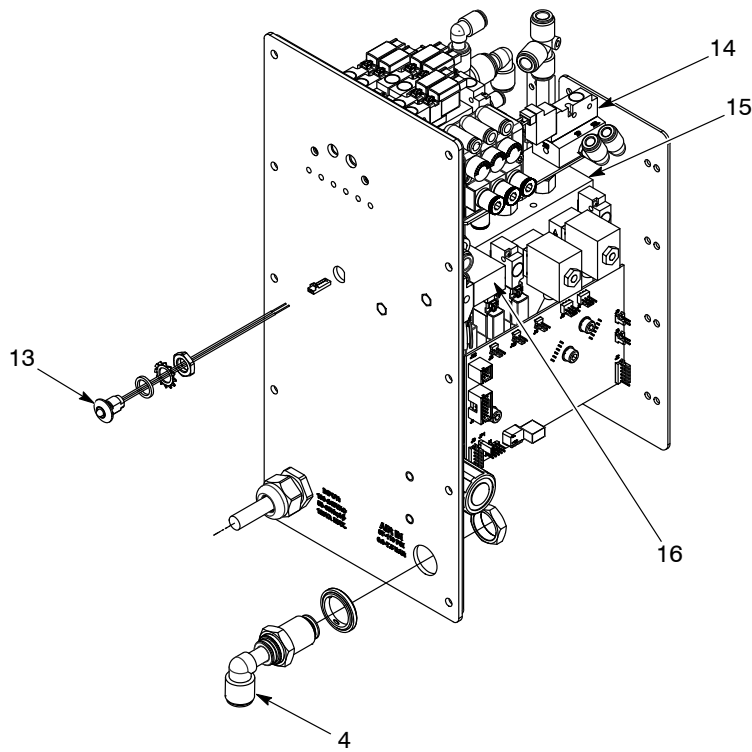


Figure 3-34 Panel Assembly Parts (2 of 3)

10014746

Panel Assembly (contd)

See Figure 3-35.

Item	Part	Description	Quantity	Note
2	983401	• WASHER, lock, M, spt, M5, steel, zinc	4	
17	1606835	• PCA, replay board, Encore LT-HD	1	
18	1107695	• POWER SUPPLY, 24 Vdc, 60 W	1	
19	1604518	• CONNECTOR, male, elbow, 6 mm T x 1/8 RPT	3	
20	972313	• TEE, union, 8 mm tube x 8 mm tube, pl	1	
21	1604804	• MANIFOLD ASSEMBLY, pump control, Encore HD	1	
22	1605754	• FILTER, line, with terminals, Encore HD	1	
23	984702	• NUT, hex, M5, brass	4	
24	983021	• WASHER, flat, E, 0.203 x 0.406 x 0.040, br	4	
25	240674	• TAG, ground	2	

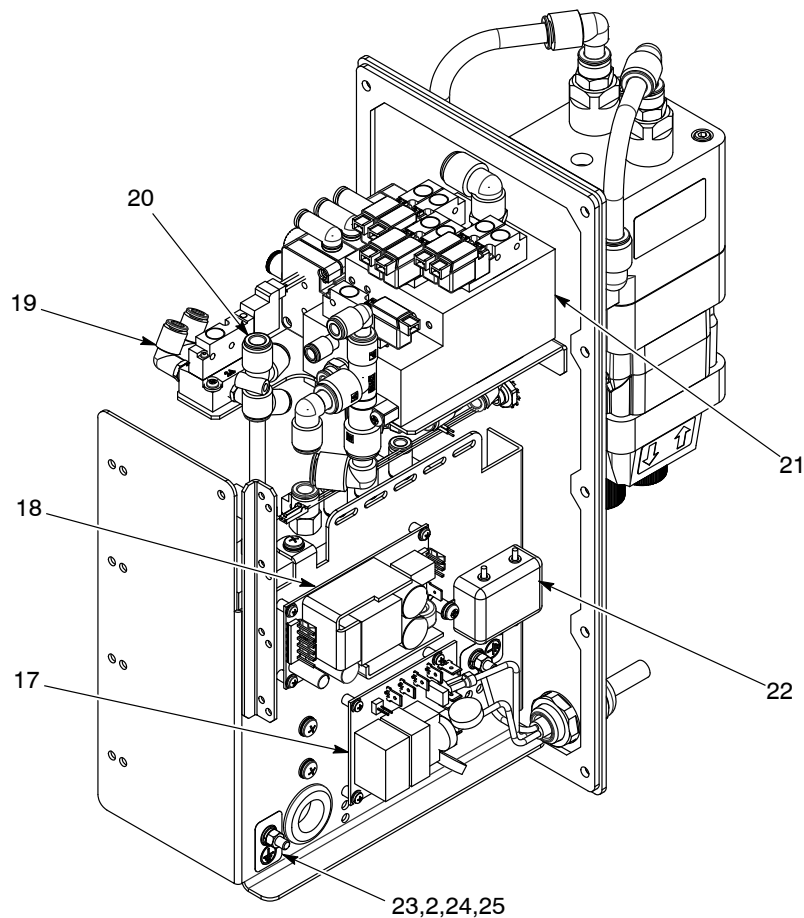


Figure 3-35 Panel Assembly Parts (3 of 3)

10014746

iFlow Module

See Figure 3-36.

Item	Part	Description	Quantity	Note
—	1605443	MODULE, digital airflow, manual system, Encore HD	1	
1	1099288	• VALVE, solenoid, 3-way, w/connector	4	
2	1027547	• VALVE, proportional, solenoid, sub-base	2	
3	1602319	• PCA, Encore HD flow node, 1 channel	1	
4	972277	• CONNECTOR, male, elbow, 8 mm T x 1/4 uni	1	
5	972399	• CONNECTOR, male, with/int hex, 6 mm T x 1/8 uni	3	
6	1030873	• VALVE, check, M8 TXR 1/8, M input	2	

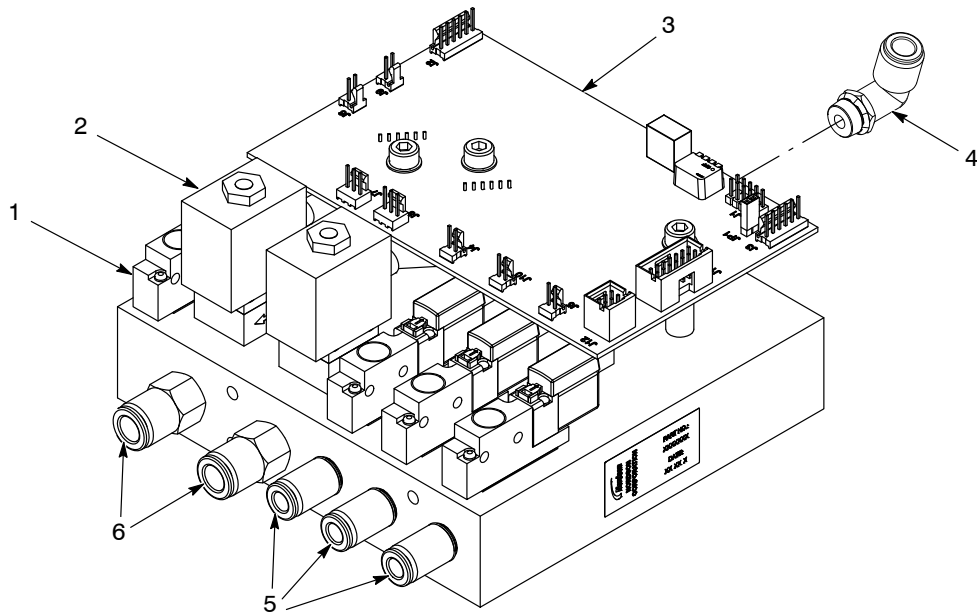


Figure 3-36 iFlow Module Parts

Manifold Assembly

See Figure 3-37.

Item	Part	Description	Quantity	Note
—	1604804	MANIFOLD ASSEMBLY, pump control, Encore HD		
1	1604080	• GASKET, pump control manifold, Encore HD	1	A
2	1074535	• CONNECTOR, male, 90 elbow, 10 mm T x $\frac{3}{8}$ RPT	1	
3	1603927	• CONNECTOR, male elbow, 8 mm x $\frac{1}{8}$ RPT	3	
4	1605530	• CONNECTOR, male, elbow, 6 mm T x $\frac{1}{8}$ RPT. with sealant	2	
5	983136	• WASHER, lock, M, internal, 4 mm, black zinc	2	
6	982453	• SCREW, socket, M4 x 16, zinc	2	
7	1605567	• MANIFOLD/REGULATOR, compact, in/8 mm, 3 x out/6 mm	1	
8	1099281	• VALVE, solenoid, 3 port, 24 V, 0.35 W	7	
9	-----	• MANIFOLD, pump control, Encore HD	1	
10	1601413	• ELBOW, plugin, 6 mm T x 8 mm stem, plastic	1	
11	1052920	• PUMP, vacuum generator	1	
12	1601412	• ELBOW, plugin, 8 mm T x 10 mm stem, plastic	1	
13	-----	• SCREW, pan, recessed, M4 x 16, zinc	2	
14	1052893	• ELBOW, plugin, 10 mm T x 10 mm stem, plastic	1	
15	328524	• CONNECTOR, male, with internal hex, 6 mm T x M5	1	
16	1604335	• CONNECTOR, male, 6 mm T x $\frac{1}{4}$ RPT, with seal	1	

NOTE A: When replacing gasket, make sure all residual adhesive has been removed from the manifold.

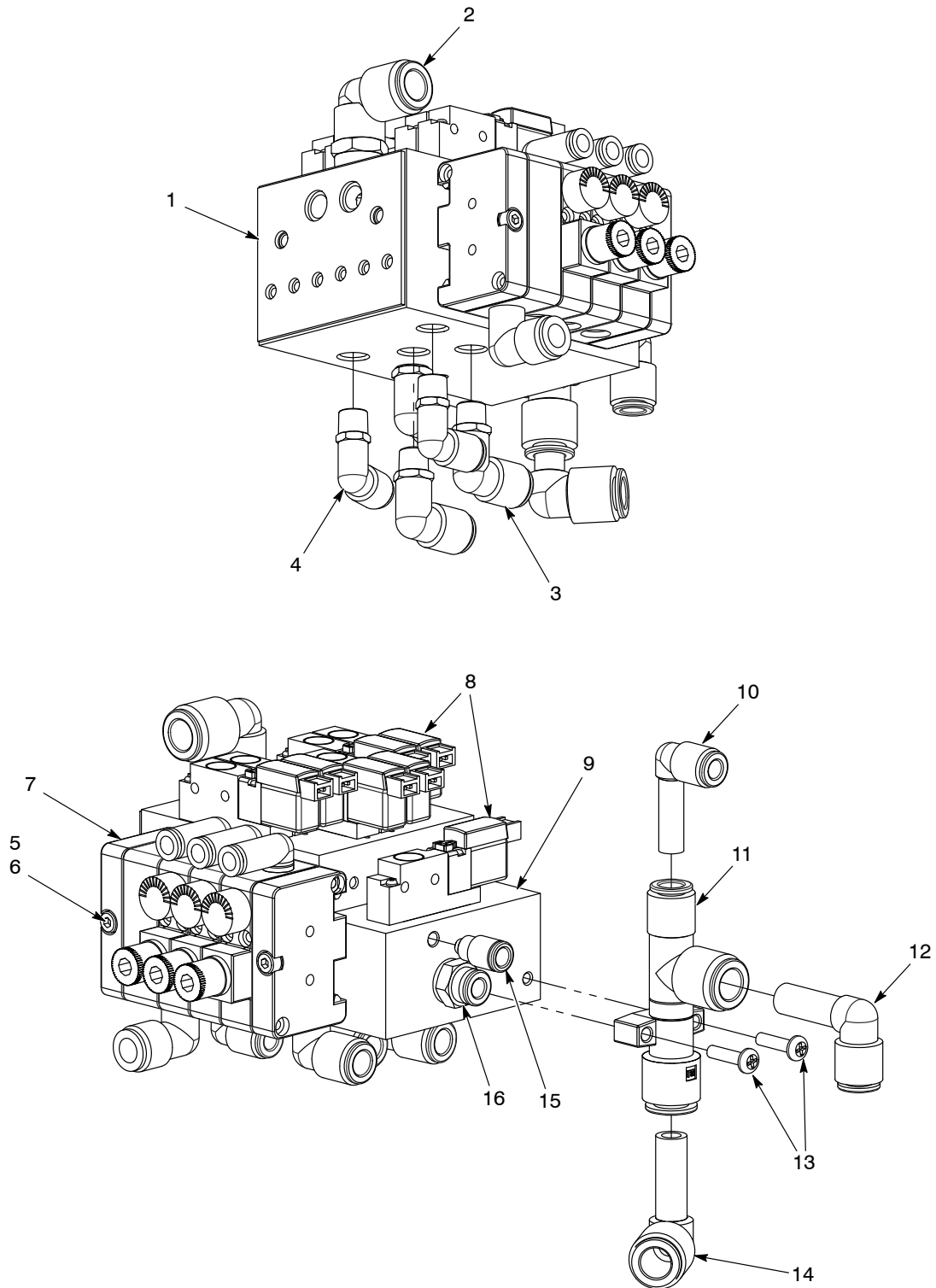


Figure 3-37 Manifold Assembly Parts

1604804

Encore HD Manual Powder Spray System Controller

See Figure 3-39.

Item	Part	Description	Quantity	Note
-	1604125	CONTROL UNIT, interface, Encore HD	1	
1	1604855	• PANEL, keypad, Encore HD controller	1	
2	1085084	• PCA, main controller display, Encore HD	1	B
3	1601341	• PCA, main control, Encore HD	1	B
4	983403	• WASHER, lock, split, M4, steel, zinc	8	
5	982308	• SCREW, pan head, recessed, M4 x 10, zinc	8	
6	982636	• SCREW, button, socket, M5 x 12, zinc	2	
7	983127	• WASHER, lock, internal, M5, zinc	2	
8	984526	• NUT, lock, 1/2 in. conduit	2	
9	939122	• SEAL, conduit fitting, 1/2 in., blue	2	
10	1082734	• ENCLOSURE, controller interface, Encore HD	1	
11	240674	• TAG, ground	2	
12	983021	• WASHER, flat, 0.203 x 0.406 x 0.040, brass	2	
13	983401	• WASHER, lock, split, M5, steel, zinc	2	
14	984702	• NUT, hex, m5, brass	2	
15	1082759	• RECEPTACLE, net, controller interface, Encore HD	1	A
16	1082709	• RECEPTACLE, gun, Encore HD	1	A
17	982286	• SCREW, flat, slotted, M5 x 10, zinc	4	

NOTE A: Receptacles include harnesses.
 B: Items 2 and 3 are sold together as kit 1604025.

Controller Interconnect Cable

See Figure 3-38.

Item	Part	Description	Quantity	Note
1	1604135	CABLE, net, 50 ft. Encore HD	1	

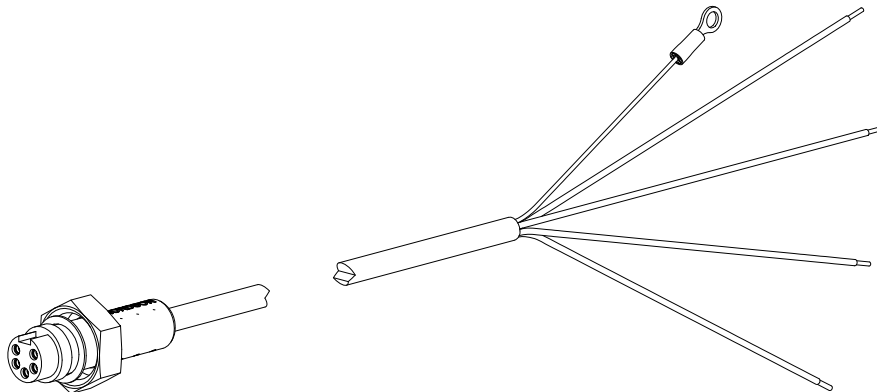


Figure 3-38 Controller Interconnect Cable

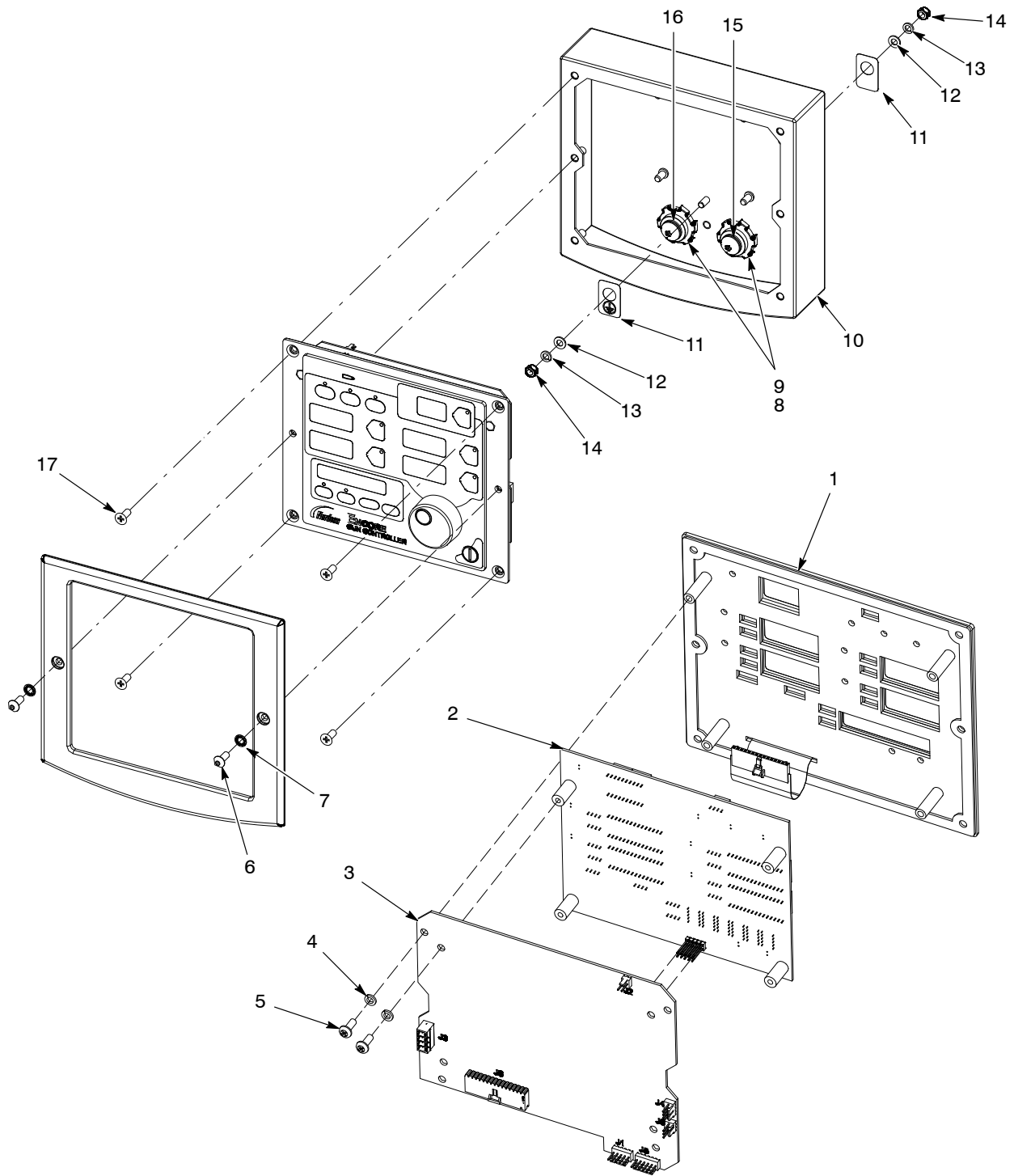


Figure 3-39 Controller Parts

Rail Mount Exploded View

See Figure 3-40.

Item	Part	Description	Quantity	Note
1	1604881	BRACKET, controller rail mount	1	
2	336281	NUT, hex, serrated, 0.5/16 – 18	2	
3	1091006	NUT, hex, flanged, serrated, M8	2	
4	1103115	SCREW, hex, serrated, M8 x 16mm, zinc	2	
5	982448	SCREW, skt, cap, M4 x 12mm	4	
6	1084121	WASHER, lock, dished #8	1	
7	983403	WASHER, lock, M4	3	
8	981346	SCREW, hex, 0.5/16 – 8 x 2.500	2	
9	1082732	BRACKET, universal mount	1	
10	1604135			

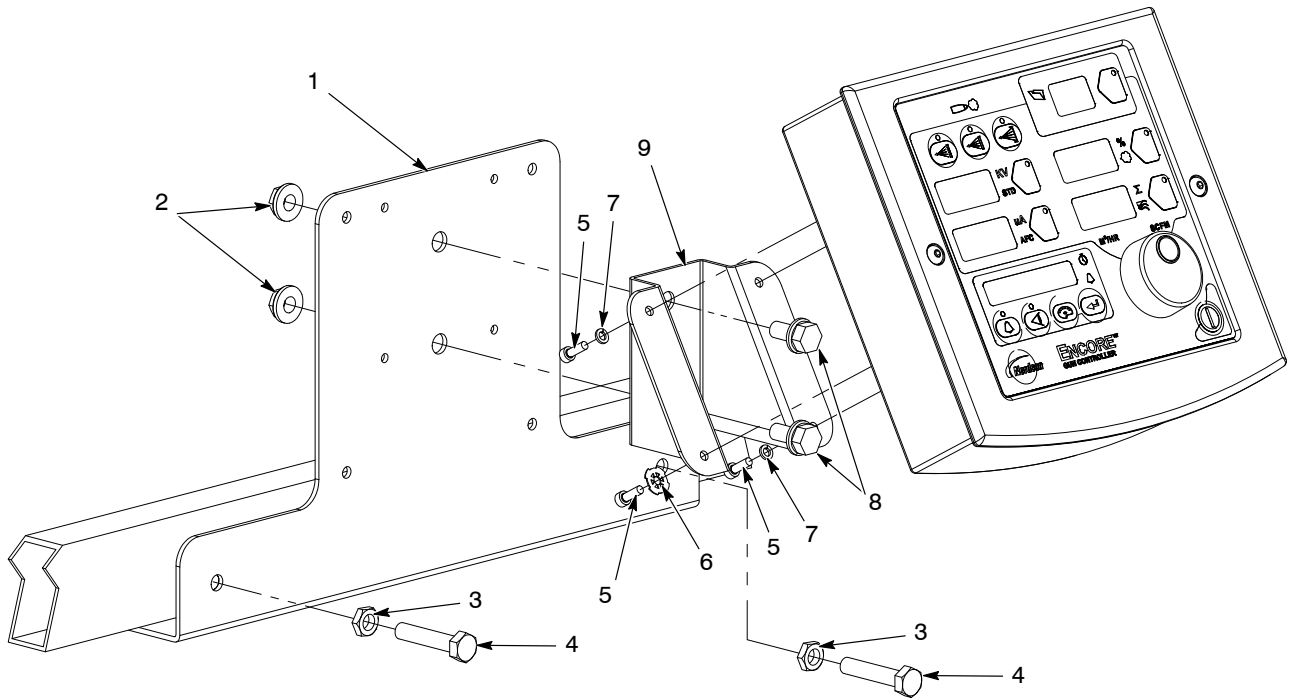


Figure 3-40 Rail Mount System Parts

Encore HD Automatic Spray Guns

Tube Mount

See Figure 3-41.

Item	Part	Description	Quantity	Note
–	1606970	GUN, auto, tube mount, Encore HD, 5 ft	1	D
–	1606985	GUN, auto, tube mount, Encore HD, 5 ft PVC	1	D
1	1081638	• NUT, nozzle, handgun, Encore	1	
2	1081658	• NOZZLE, flat spray, 4 mm, Encore	1	A
3	1604824	• ELECTRODE ASSEMBLY, Encore, flat spray	1	C
3A	1106078	• • ELECTRODE, spring contact, packaged	1	
3B	1605863	• • HOLDER, electrode, M3, flat spray, Encore	1	C
4	1097527	• SEAL, tube, powder	1	
5	1602673	• TUBE, powder, tube mount, auto, Encore, 5 ft	1	
6	1098453	• KIT, body, auto, Encore	1	
6A	1088558	• • FILTER ASSEMBLY, handgun	1	
7	1088502	• GASKET, multiplier cover, handgun, Encore	1	
8	1097520	• BULKHEAD, body, front, auto, Encore	1	
9	1101381	• PLATE, screw	1	
10	1097522	• NUT, Allen, 4-40, stainless steel	2	
11	1084821	• POWER SUPPLY, 100 kV, negative, Encore	1	
12	815666	• SCREW, socket, M5 x 0.8 x 12, zinc	1	
12A	983127	• WASHER, lock, internal, M5, zinc	1	
13	1081616	• FITTING, bulkhead, barbed, dual, 10–32 x 4 mm tubing	1	
14	1097518	• BODY, gun, rear, auto, Encore	1	
15	1097514	• RECEPTACLE, gun harness	1	
16	1097513	• PLATE, grounding	1	
17	1605696	• SCREW, socket head, M3 x 35 mm	2	
17A	983520	• WASHER, lock, internal, M3, steel, zinc	2	
18	900617	• TUBING, polyurethane, 4 mm OD, clear (6 ft)	AR	B
19	1103426	• CABLE, extension, auto, Encore, 1196 mm	1	
20	1097533	• RECEPTACLE, M12, male/female, 4P	1	
21	1602674	• TUBE, clamp	1	
22	1099828	• TUBE, mount, auto, Encore, 5 ft	1	D
22	1602611	• TUBE, mount, auto, Encore, 5 ft, PVC	1	D
23	1097534	• CAP, end, tube mount	1	
24	1097535	• NUT, clamp, tube mount	1	
25	1003964	• UNION, straight, 4 mm tube	1	

Continued...

Item	Part	Description	Quantity	Note
NS	247006	• CLAMP, hose, 0.637–0.795 OD	1	
NS	939247	• CLAMP, hose, Snap-it	1	
NS	1081656	• NOZZLE, flat spray, 2.5 mm, Encore	1	A
<p>NOTE A: Refer to the <i>Options</i> section for a complete list of available flat spray nozzles, conical nozzles and deflectors.</p> <p>B: Bulk item, order in increments of one foot.</p> <p>C: For flat spray nozzle use only. Refer to the <i>Options</i> section for assemblies/parts for use with conical nozzles and deflectors.</p> <p>D: The type of material used for the tube mount determines the type of spray gun.</p> <p>AR: As Required</p> <p>NS: Not Shown</p>				

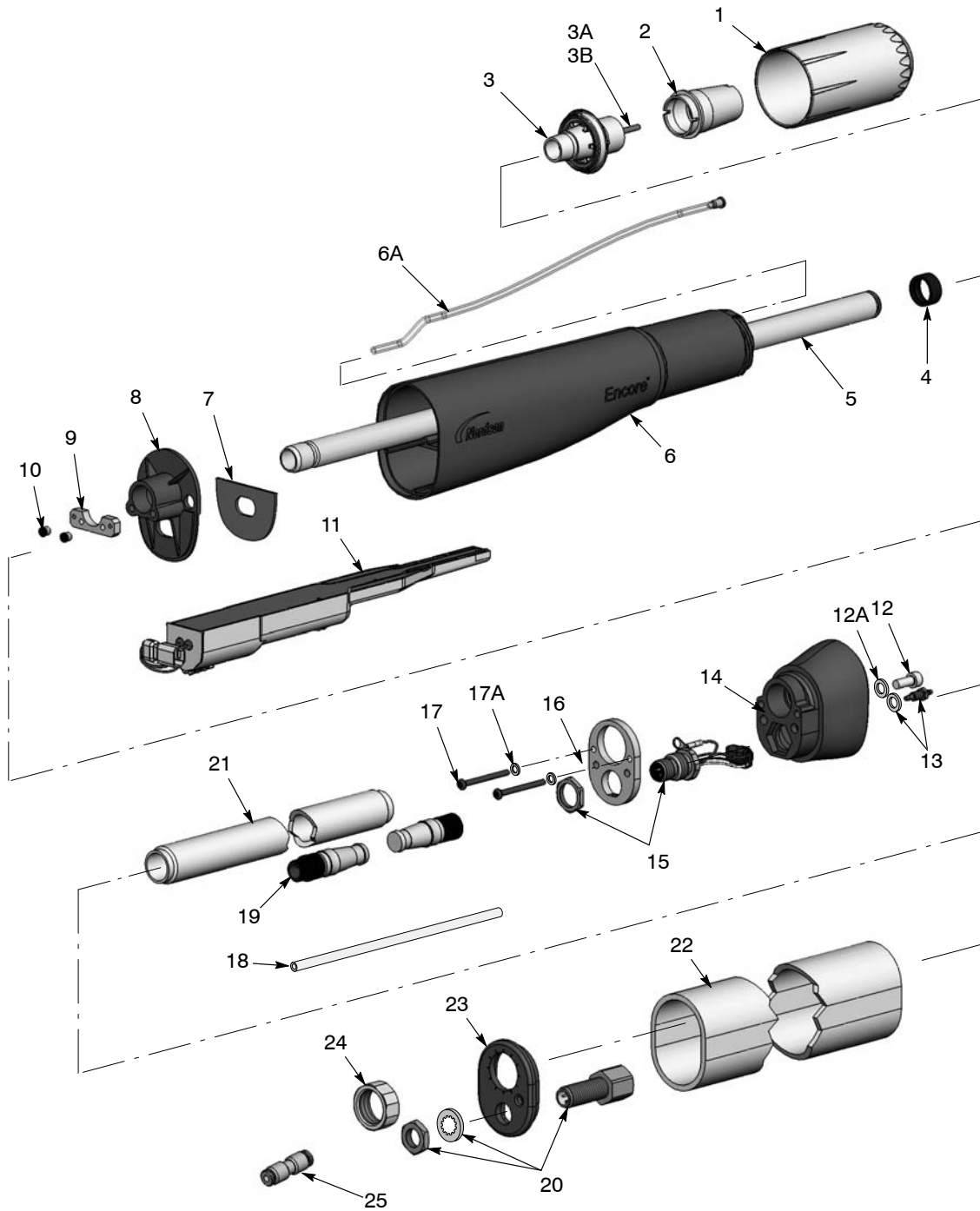


Figure 3-41 Tube Mount Gun Parts (1 of 2)

External Diffuser

See Figure 3-42.

Item	Part	Description	Quantity	Note
-	1606920	DIFFUSER, external, Encore HD auto pkgd	1	
1	1606892	• ADAPTER, hose, diffuser, Encore HD	1	
2	940117	• O-RING, silicone, 0.312 x 0.438 x 0.063	1	
3	-----	• HOUSING, external diffuser, Encore HD	1	
4	941131	• O-RING, silicone, 0.563 x 0.750 x 0.094	1	
5	-----	• RETAINER, connector, hose, univ, auto, Encore	1	
6	1606890	• ADAPTER, diffuser, Encore HD	1	
7	940156	• O-RING, silicone, 0.563 x 0.688 x 0.063	1	
8	-----	• ELBOW, M5 x 6 mm tube	1	

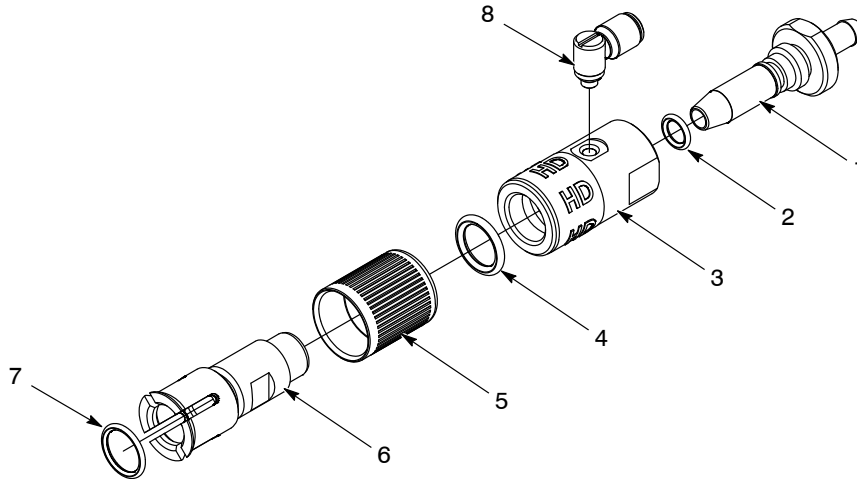


Figure 3-42 Tube Mount Gun Parts (2 of 2)

Bar Mount

See Figure 3-43.

NOTE: Cables for the bar-mount gun are optional. Refer to *Options, Cables*, on page 3-29 for available cables.

Item	Part	Description	Quantity	Note
–	1606969	GUN, auto, bar mount, Encore HD	1	
1	1081638	• NUT, nozzle, handgun, Encore	1	
2	1081658	• NOZZLE, flat spray, 4 mm, Encore	1	A
3	1604824	• ELECTRODE ASSEMBLY, Encore, flat spray	1	B
3A	1106078	• • ELECTRODE, spring contact	1	
3B	1605863	• • HOLDER, electrode, M3, flat spray, Encore	1	B
4	1097527	• SEAL, tube, powder	1	
5	1097524	• TUBE, powder, bar mount, auto, Encore	1	
6	1098453	• KIT, body, auto, Encore	1	
6A	1088558	• • FILTER ASSEMBLY, handgun	1	
7	1088502	• GASKET, multiplier cover, handgun, Encore	1	
8	1097520	• BULKHEAD, body, front, auto, Encore	1	
9	1101381	• PLATE, screw	1	
10	1097522	• NUT, Allen, 4-40, stainless steel	2	
11	1084821	• POWER SUPPLY, 100 kV, negative, Encore	1	
12	815666	• SCREW, socket, M5 x 0.8 x 12, zinc	1	
12A	983127	• WASHER, lock, internal, M5, zinc	1	
13	1081616	• FITTING, bulkhead, barbed, dual, 10–32 x 4 mm tubing	1	
14	1097518	• BODY, gun, rear, auto, Encore	1	
15	1097514	• RECEPTACLE, gun harness	1	
16	1097512	• ADAPTER, mount, bar	1	
17	1605696	• SCREW, socket head, M3 x 35 mm	1	
17A	983520	• WASHER, lock, internal, M3, steel, zinc	2	
18	1097511	• QUAD RING, Viton, 0.614 in. ID x 0.070 in.	1	
19	1102293	• KNOB, T-handle	1	
20	1102294	• WASHER, flat, 0.34 x 0.74 x 0.06 in., nylon	1	
21	1097546	• ADAPTER, tube, mount, bar	1	
22	345385	• SCREW, set, flat, M8 x 20, black	1	
23	1097545	• BALL, chrome steel, 6.5 mm diameter, 25, C63	1	
24	1097542	• BRACKET, mount, bar	1	
25	982503	• SCREW, button, socket, M5 x 10	2	

Continued...

Item	Part	Description	Quantity	Note
NS	247006	<ul style="list-style-type: none"> • CLAMP, hose, 0.637–0.795 OD 	1	
NS	939247	<ul style="list-style-type: none"> • CLAMP, hose, Snap-it 	1	
NS	1081656	<ul style="list-style-type: none"> • NOZZLE, flat spray, 2.5 mm, Encore 	1	A
<p>NOTE A: Refer to the <i>Options</i> section for a complete list of available flat spray nozzles, conical nozzles and deflectors.</p> <p>B: For flat spray nozzle use only. Refer to the <i>Options</i> section for assemblies and parts for use with conical nozzles and deflectors.</p> <p>NS: Not Shown</p>				

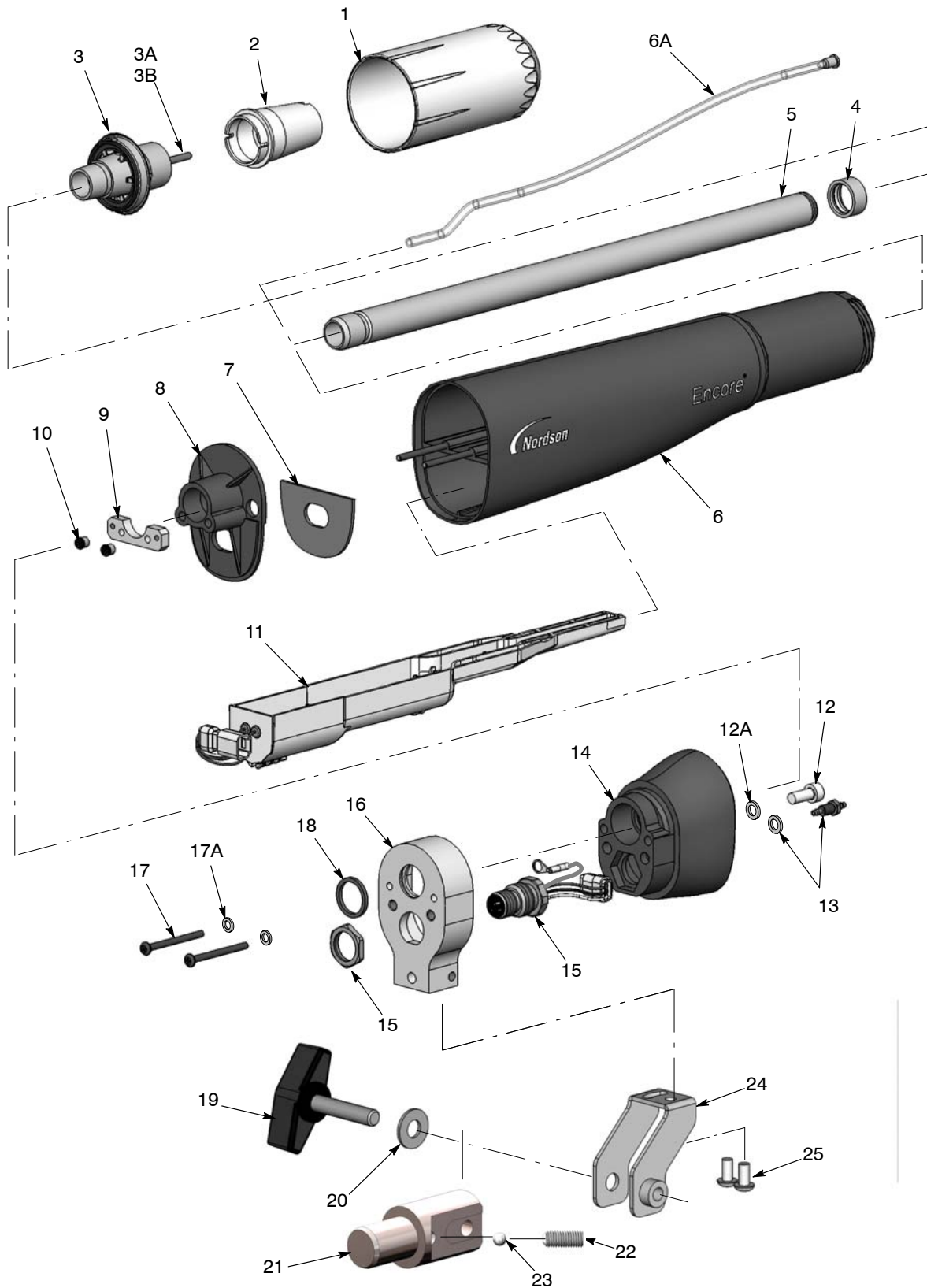


Figure 3-43 Bar Mount Gun Parts (1 of 2)

External Diffuser

See Figure 3-42.

Item	Part	Description	Quantity	Note
-	1606920	DIFFUSER, external, Encore HD auto pkgd	1	
1	1606892	• ADAPTER, hose, diffuser, Encore HD	1	
2	940117	• O-RING, silicone, 0.312 x 0.438 x 0.063	1	
3	-----	• HOUSING, external diffuser, Encore HD	1	
4	941131	• O-RING, silicone, 0.563 x 0.750 x 0.094	1	
5	-----	• RETAINER, connector, hose, univ, auto, Encore	1	
6	1606890	• ADAPTER, diffuser, Encore HD	1	
7	940156	• O-RING, silicone, 0.563 x 0.688 x 0.063	1	
8	-----	• ELBOW, M5 x 6 mm tube	1	

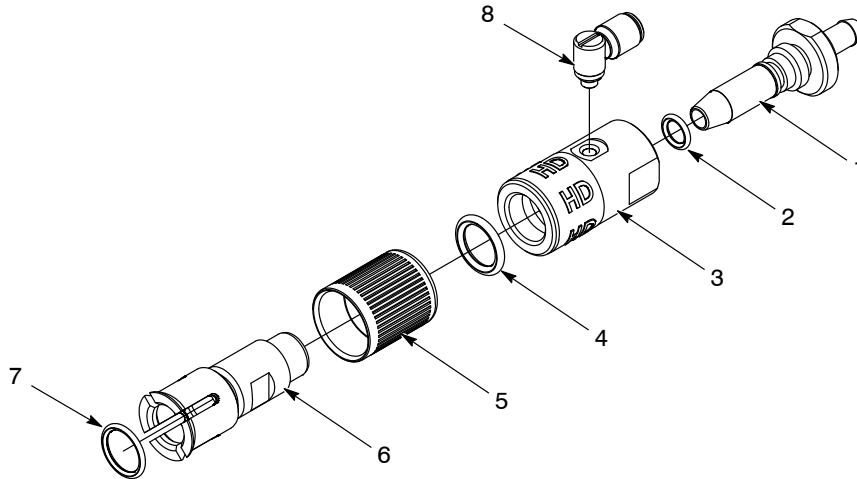


Figure 3-44 Bar Mount Gun Parts (2 of 2)

Options

Optional Six-Foot Tube Mount Automatic Gun

See Figure 3-41 for the parts illustration, and the standard 5-ft tube mount gun parts list for all other parts.

Item	Part	Description	Quantity	Note
–	1606971	GUN, auto, tube mount, Encore HD, 6 ft	1	
34	1602675	• TUBE, powder, 6 ft tube mount, auto, Encore HD	1	
28	1097536	• CABLE, extension, auto, Encore, 1496 mm	1	
31	1602676	• TUBE, clamp, 6 ft	1	
30	1097532	• TUBE, mount, auto, Encore, 6 ft	1	

Hose Hanger

See Figure 3-45. The hose hanger assembles to the tube mount gun to support the powder hose, air tubing, and gun cable.

Part	Description	Note
1003572	HANGER, hose, automatic gun	

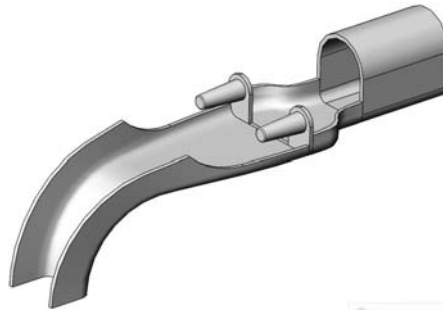


Figure 3-45 Optional Hose Hanger

Cables

These cables connect the spray gun to the gun controller (Encore HD iControl Integrated Control Unit).

Part	Description	Note
1097537	CABLE, auto, Encore, 8 meter (26.25 ft)	
1097539	CABLE, auto, Encore, 12 meter (39.4 ft)	
1097540	CABLE, auto, Encore, 16 meter (52.5 ft)	
1601344	CABLE, extension, Encore, 4 m (13.1 ft)	

Tube Mount Gun Mounting Assemblies

See Figure 3-46. All mounting assemblies are optional.

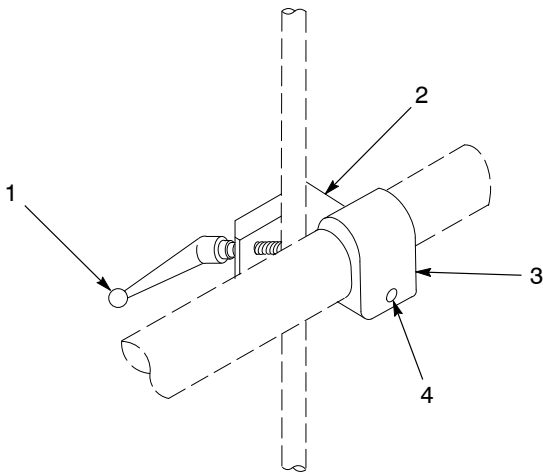
Standard Mount Assembly

Item	Part	Description	Quantity	Note
—	1010717	MOUNT, assembly, automatic gun	1	
1	248957	• HANDLE, adjustment, $\frac{3}{8}$ -16 x 1.77 in.	1	
2	-----	• MOUNT, clamp, automatic gun	1	
3	-----	• MOUNT, sleeve, automatic gun	1	
4	981561	• SCREW, socket, $\frac{3}{8}$ -16 x 1.00 in., zinc	3	

Pivot Mount Assembly

Item	Part	Description	Quantity	Note
—	341756	MOUNT, tube holder, assembly	1	
1	248957	• HANDLE, adjustment, $\frac{3}{8}$ -16 x 1.77 in.	1	
2	983061	• WASHER, flat, 0.406 x 0.812 x 0.065 in., zinc	1	
3	249074	• HANDLE, adjustment, $\frac{3}{8}$ -16 x 2.75 in.	1	
4	-----	• MOUNT, clamp, automatic gun	1	
5	-----	• MOUNT, sleeve, automatic gun	1	
6	981561	• SCREW, socket, $\frac{3}{8}$ -16 x 1.00 in., zinc	3	

Standard Mount



Pivoting Mount

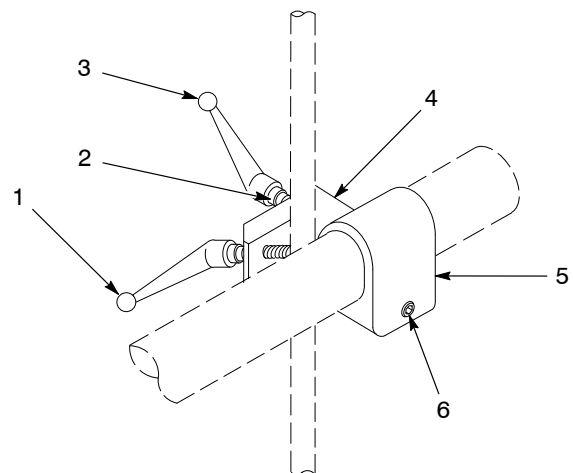


Figure 3-46 Gun Bar Mounts for Tube Mount Guns

Extrusion Mount Assembly

See Figure 3-47. Use this assembly to mount a tube-mount gun to a rigid bracket mounted on a T-slot extrusion.

Item	Part	Description	Quantity	Note
—	1016515	PLATE, adapter, support, gun bar assembly	1	
1	1013964	• MOUNT, sleeve, with screws, automatic	1	
2	981561	• • SCREW, socket, $\frac{3}{8}$ -16 x 1.00 in., zinc	3	
3	981528	• SCREW, socket, M8 x 30, zinc	2	
4	1016458	• PLATE, attachment, support, gun bar	1	
5	1016533	• NUT, T-slot, steel, M8	2	

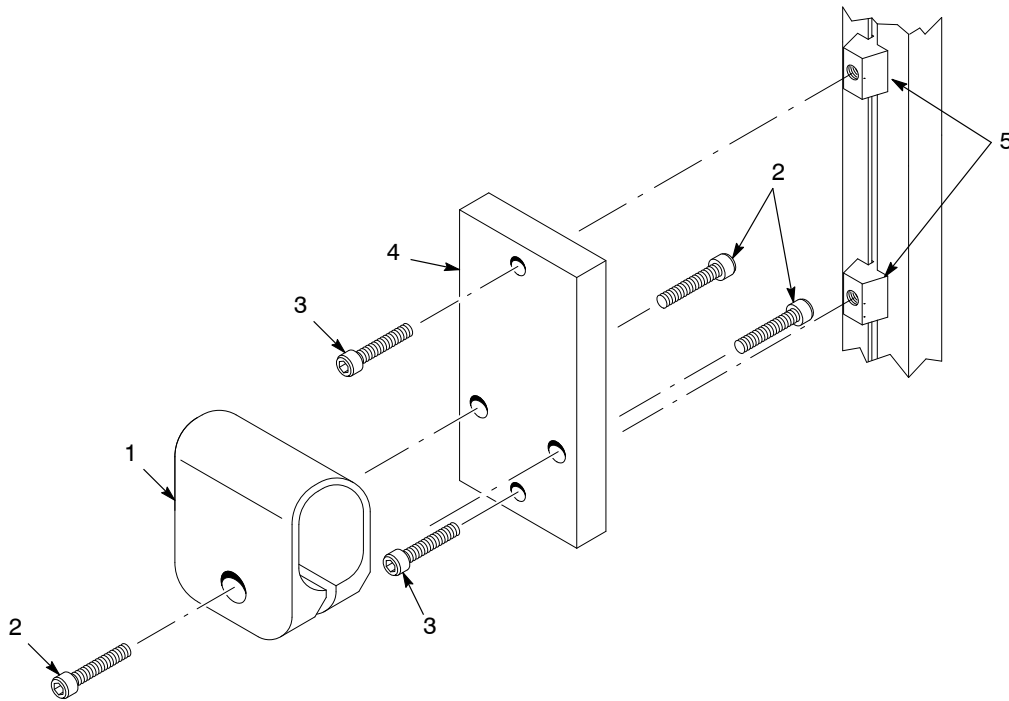


Figure 3-47 Extrusion Gun Mount Assembly for Tube Mount Guns

Gun Bar for Bar Mount Guns

See Figure 3-48. The gun bar is optional. It clamps onto 1-in. diameter mounting bars.

Item	Part	Description	Quantity	Note
-	341727	GUN BAR, aluminum, 1.25-in. OD x 4 ft., assembly	1	
1	327732	• BODY, locking, 1.25 in. diameter	1	
2	327704	• ROD, adjusting, aluminum, 1.25 in. OD x 4 ft	1	
3	327733	• SLEEVE, locking, 1.25 in. diameter	1	
4	248669	• BODY, adjust mounting	1	
5	248957	• HANDLE, adjust, $\frac{3}{8}$ -16 x 1.77 in.	1	
6	249074	• HANDLE, adjust, $\frac{3}{8}$ -16 x 2.75 in.	1	
7	983061	• WASHER, flat, 0.406 x 0.812 x 0.065 in., zinc	1	

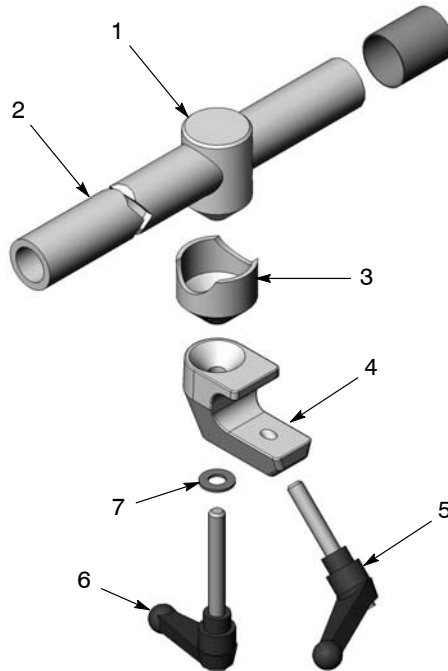


Figure 3-48 Gun Bar for Bar Mount Guns

Ion Collector Kit

See Figure 3-49. The ion collector kit is optional. It can be used on either Encore HD automatic gun model.

Item	Part	Description	Quantity	Note
–	1602357	KIT, collector, ion, Encore HD	1	
1	-----	• ROD, ion collector, offset	1	
2	1097547	• POST, collector, ion	1	
3	105800	• SCREW, socket head, M4 x 0.7 x 8 mm	1	
4	1097696	• SCREW, set, nylon tip, M10 x 10, black	1	
5	1097543	• SCREW, set, nylon tip, M5 x 8, black	1	
6	-----	• TIP, ion collector, multi-point	1	
7	982017	• SCREW, pan, rec, M3 x 8, zinc	1	

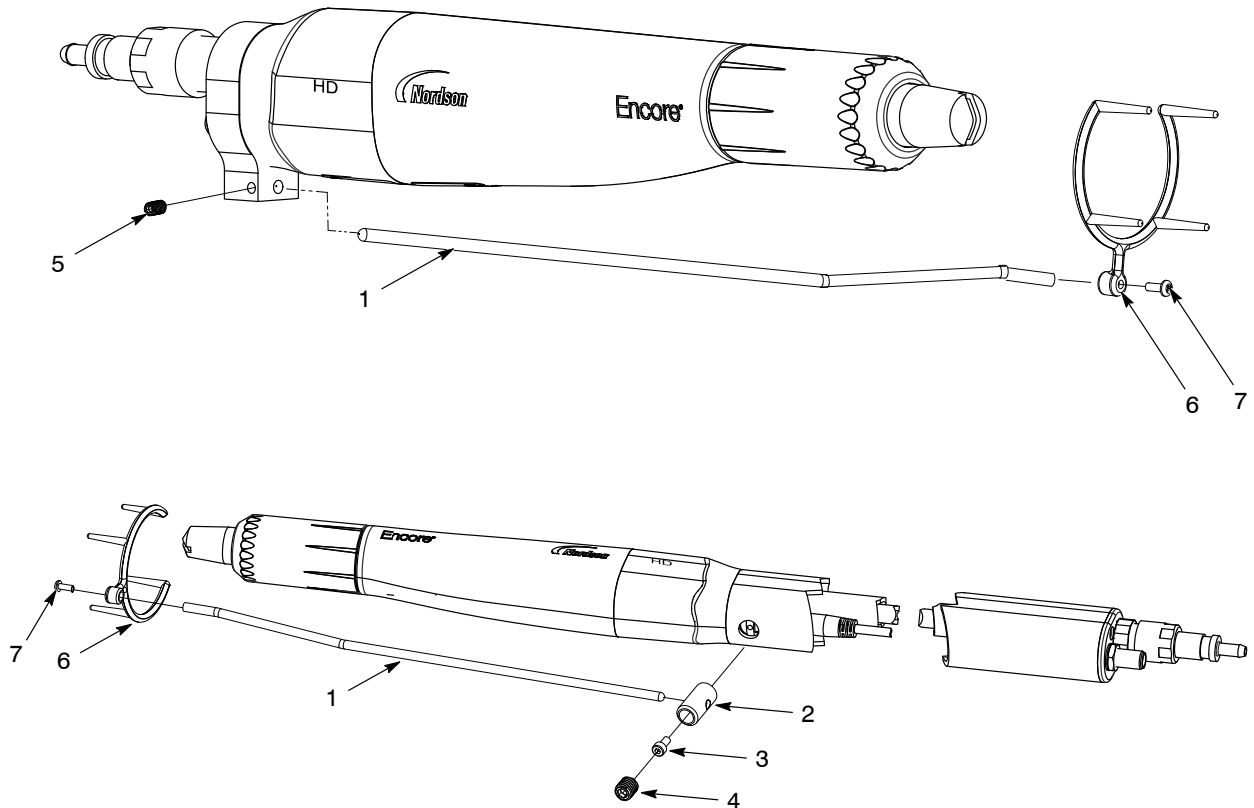


Figure 3-49 Ion Collector Kit

*Section 4***Encore® HD System with Prodigy®
Color-on-Demand®**

NOTE: For complete parts lists refer to individual component manuals:

1605396 Encore HD Powder System with Prodigy Color-on-Demand

Single Gun System	4-2
Dual Gun System	4-3
Pump Panel	4-4
Manifold Air and Powder Tubing	4-6
Color-on-Demand Controller and Control Panel	4-7
Controller Kit	4-7
Controller	4-8
Retrofit Kit	4-8
Color Change Control Panel	4-10
Control Unit (PLC)	4-12
Ship-with Kit	4-14
Color Change Manifold	4-14
Dump Valve	4-16

Single Gun System

Part No.	Description	Quantity
1605368	SYSTEM, Color-on-Demand, manual, single, Encore HD	
1604125	• CONTROL UNIT, interface, Encore XT	1
1600818	• HANDGUN ASSY, Encore XT	1
-----	• CONTROLLER, COD, single pump, Encore HD	1
1605276	• KIT, ship-with, spray system, Prodigy/Encore HD	1
1067148	• KIT, ship-with, Color-on-Demand, Prodigy	1
1101491	• KIT, controller interface	1

Dual Gun System

Part No.	Description	Quantity
1605369	SYSTEM, Color-on-Demand, manual, dual, Encore HD	
1604125	• CONTROL UNIT, interface, Encore XT	2
1600818	• HANDGUN ASSY, Encore XT	2
-----	• CONTROLLER, COD, dual pump, Encore HD	1
1605276	• KIT, ship-with, spray system, Prodigy/Encore HD	2
1067148	• KIT, ship-with, Color-on-Demand, Prodigy	2
1101491	• KIT, controller interface	2

Pump Panel

See Figure 4-1.

Item	Part	Description	Quantity	Note
1	303132	VALVE, ³ / ₄ in. I/O, air operated	AR	A
2	-----	MANIFOLD ASSEMBLY, HDLV pump control	AR	A, B, D
3	1081194	PUMP ASSEMBLY, HDLV	AR	A
4	1043906	POWER SUPPLY, 24, 5, 12 VDC, 60 W	1	
5	334805	FILTER, line, RFI, power, 10A	1	
6	334806	SWITCH, round, 2 position, 90 degree	1	
7	288806	CONTACT BLOCK, 2 N.O. contacts	1	
8	1009090	FUSE, time delay, 215 series, 3.15 A, 5 x 20 mm	2	
9	1099534	VALVE, solenoid, 3 port, 24 V, with adapter	AR	A, E
10	1101498	KIT, PCA replacement, Prodigy pump control	1	B
11	1034396	MUFFLER, exhaust, ¹ / ₄ in. NPT male	AR	C
12	1062366	FILTER, air, ¹ / ₂ in. NPT	1	
NS	1064136	• FILTER ELEMENT, air, 5 micron, AF40	1	
13	901151	VALVE, ball, ¹ / ₂ in. NPT	1	
14	1064964	SWITCH, pressure	AR	
15	1082612	VALVE, flow control, 4mm x 1/8 UNI	AR	
NS	1604832	HARNESS SET, single air wash	AR	
NS	1604833	HARNESS SET, dual air wash	AR	

NOTE A: Quantities for AR items vary depending on number of guns in system.
 C: When replacing manifold, perform calibration procedure as described in Manual Gun Controller manual.
 D: When replacing board, refer to instruction sheet shipped with kit for switch settings. Also perform calibration procedure as described in Manual Gun Controller manual.
 E: For manifold assembly part numbers refer to manual 1081195.
 F: If using an old harness with 3 positions, use the supplied adapter. If using a new a harness with 2 positions, then the supplied adapter can be discarded.

AR: As Required

NS: Not Shown

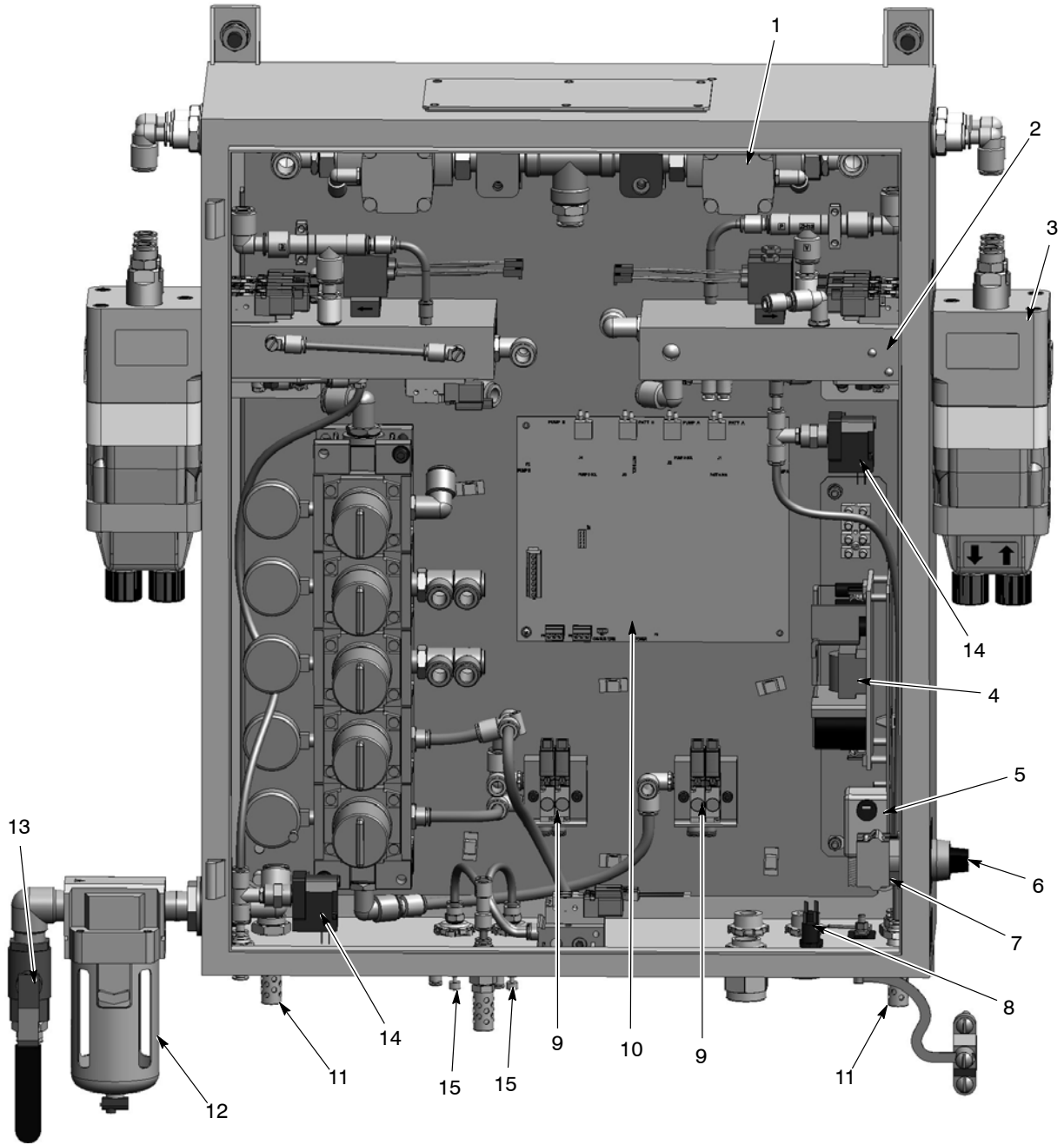


Figure 4-1 Pump Panel Replacement Parts (Dual Pump System Shown)

Manifold Air and Powder Tubing

See Figure 4-2.

Item	Part	Description	Item	Part	Description
A	900740	10 mm Blue polyurethane	F	900740	10 mm Blue polyurethane
B	173101	8 mm Clear polyethylene	G	900740	10 mm Blue polyurethane
C	173101	8 mm Clear polyethylene	H	900742	6 mm Blue polyurethane
D	173101	8 mm Clear polyethylene	1, 8	900617	4 mm Clear polyurethane
E	900740	10 mm Blue polyurethane			

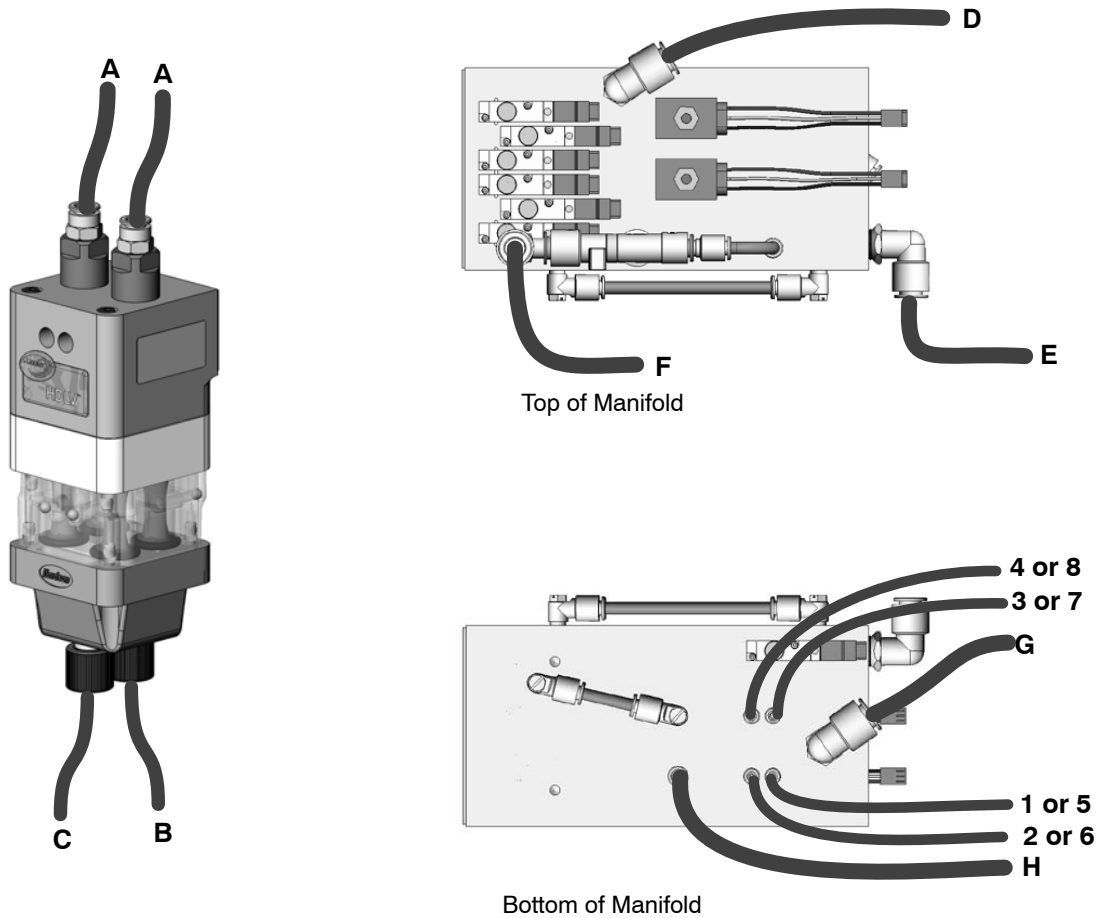


Figure 4-2 Air and Powder Tubing

Color-on-Demand Controller and Control Panel

Controller Kit

See Figure 4-3.

Item	Part	Description	Quantity	Note
—	1101491	KIT, controller interface, Prodigy color change III	1	
1	1101488	• CONTROLLER interface, Prodigy color change III	1	A
2	129592	• KNOB, clamping, M6 x 12 mm long	2	
3	129590	• SPACER, cabinet, friction	2	
4	982649	• SCREW, hex, machine, M10 x 22 mm	1	
5	983405	• WASHER, lock, split, M10, steel, zinc	1	
6	288828	• KIT, bracket, mounting, rail	1	
7	982500	• SCREW, hex, machine, M8 x 16 mm	1	
8	984707	• NUT, hex, M8, steel, zinc	1	
9	240976	• CLAMP, ground w/wire	1	
10	-----	• BRACKET, base, manual control interface	1	
11	-----	• BRACKET, post, Prodigy, manual control	1	
12	-----	• BRACKET, mounting, U, Prodigy, manual control	1	

NOTE A: See Figure 4-3 and accompanying parts list for serviceable parts.

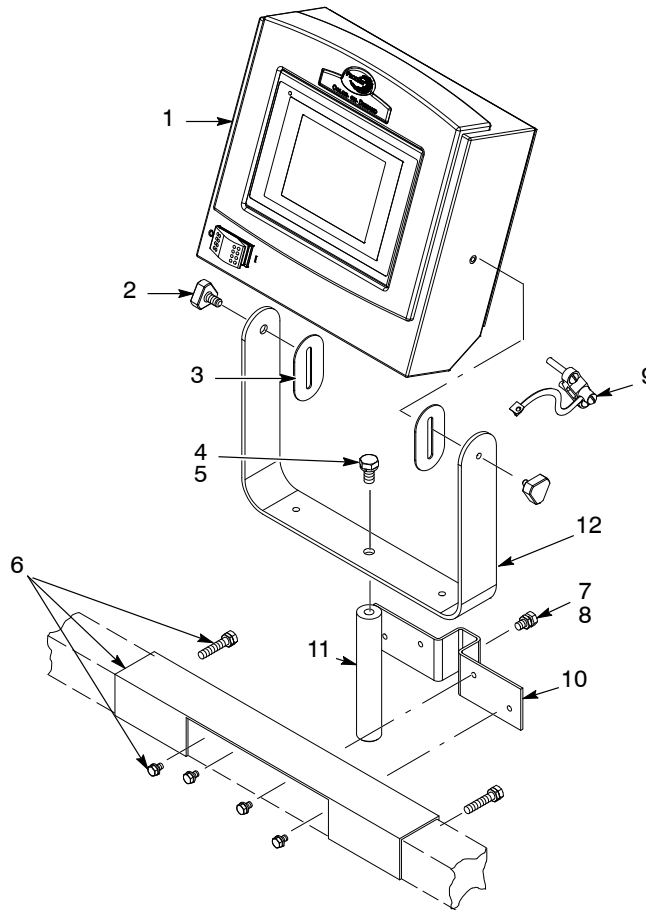


Figure 4-3 Controller Kit

Controller

See Figure 4-4.

Item	Part	Description	Quantity	Note
—	1101488	CONTROLLER, interface, Prodigy color change III	1	
1	1101458	• TERMINAL, display, COD Generation III	1	A
2	322404	• SWITCH, rocker, DPST, dust-tight	1	
3	939122	• SEAL, conduit fitting, 1/2 in., blue	2	
4	984526	• NUT, lock, 1/2 in. conduit	2	
5	324343	• CONNECTOR, conduit, straight, 1/2 in.	1	
6	984702	• NUT, hex, M5, brass	4	
7	983401	• WASHER, lock, split, M5, steel, zinc	4	
8	983021	• WASHER, flat, 0.203 x 0.406 x 0.040 in., brass	1	
9	240674	• TAG, ground	4	
10	271221	• LUG, 45, double, 0.250, 0.438 in.	2	
NOTE A: Use Retrofit Kit 1101490 to replace the Cimrex 69 display terminal with the Proface AGP3300 display terminal.				

Retrofit Kit

See Figure 4-4.

Item	Part	Description	Quantity	Note
—	1101490	KIT, retrofit, display, COD Generation III	1	
1	1101458	• TERMINAL, display, COD Generation III	1	
11	-----	• PLATE, adapter with studs	1	
12	-----	• GASKET, adapter plate	1	
13	-----	• PLATE, adapter	1	
14	983102	• WASHER, lock, SPT, #6, steel, zinc, 14451-CA	4	
15	984101	• NUT, hex, machine, #6-32, steel, zinc, 14441-CA	4	

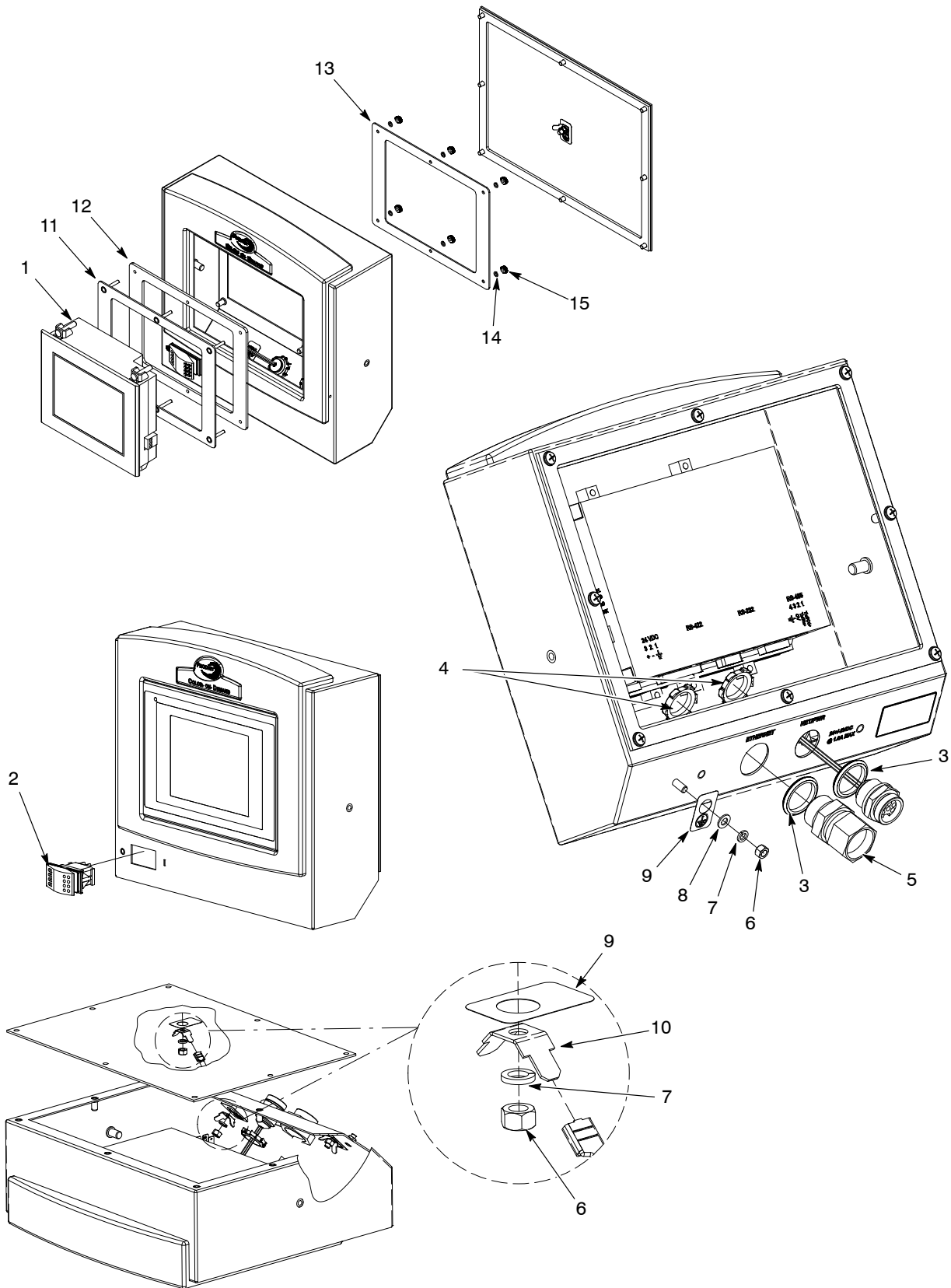


Figure 4-4 Controller Parts

Color Change Control Panel

See Figure 4-5.

Item	Part	Description	Quantity	Note
—	-----	CONTROLLER, Prodigy, single or dual color changer	1	
1	1101489	<ul style="list-style-type: none"> CONTROL UNIT, dual pump color changer, PLC 	1	A
2	1101459	<ul style="list-style-type: none"> CONTROL UNIT, single pump color changer, PLC 	1	A
3	303132	<ul style="list-style-type: none"> VALVE, 3/4 in. NPT, air operated 	AR	B
4	1095074	<ul style="list-style-type: none"> SWITCH, pressure, N.O., 30 psi 	AR	B
5	1068324	<ul style="list-style-type: none"> VALVE, solenoid, 3 port, 24V, N.O., w/o leads 	AR	C
6	1068325	<ul style="list-style-type: none"> VALVE, solenoid, 3 port, 24V, N.C., w/o leads 	AR	C
NS	173101	<ul style="list-style-type: none"> TUBING, polyethylene, 8 mm x 6 mm, natural 	AR	D
NS	900742	<ul style="list-style-type: none"> TUBING, polyurethane, 6/4 mm, blue 	AR	D
NS	900618	<ul style="list-style-type: none"> TUBING, polyurethane, 8 mm OD, blue 	AR	D
NS	900740	<ul style="list-style-type: none"> TUBING, polyurethane, 10 mm OD, blue 	AR	D
NS	226690	<ul style="list-style-type: none"> TUBING, polyurethane, 12 mm OD, blue 	AR	D

NOTE A: Select appropriate control unit for your system. Parts breakdown on following pages.
 G: One required per gun.
 H: 31 N.O. valves and 1 N.C. valve required per gun.
 I: Order in increments of one foot.

AR: As Required
 NS: Not Shown

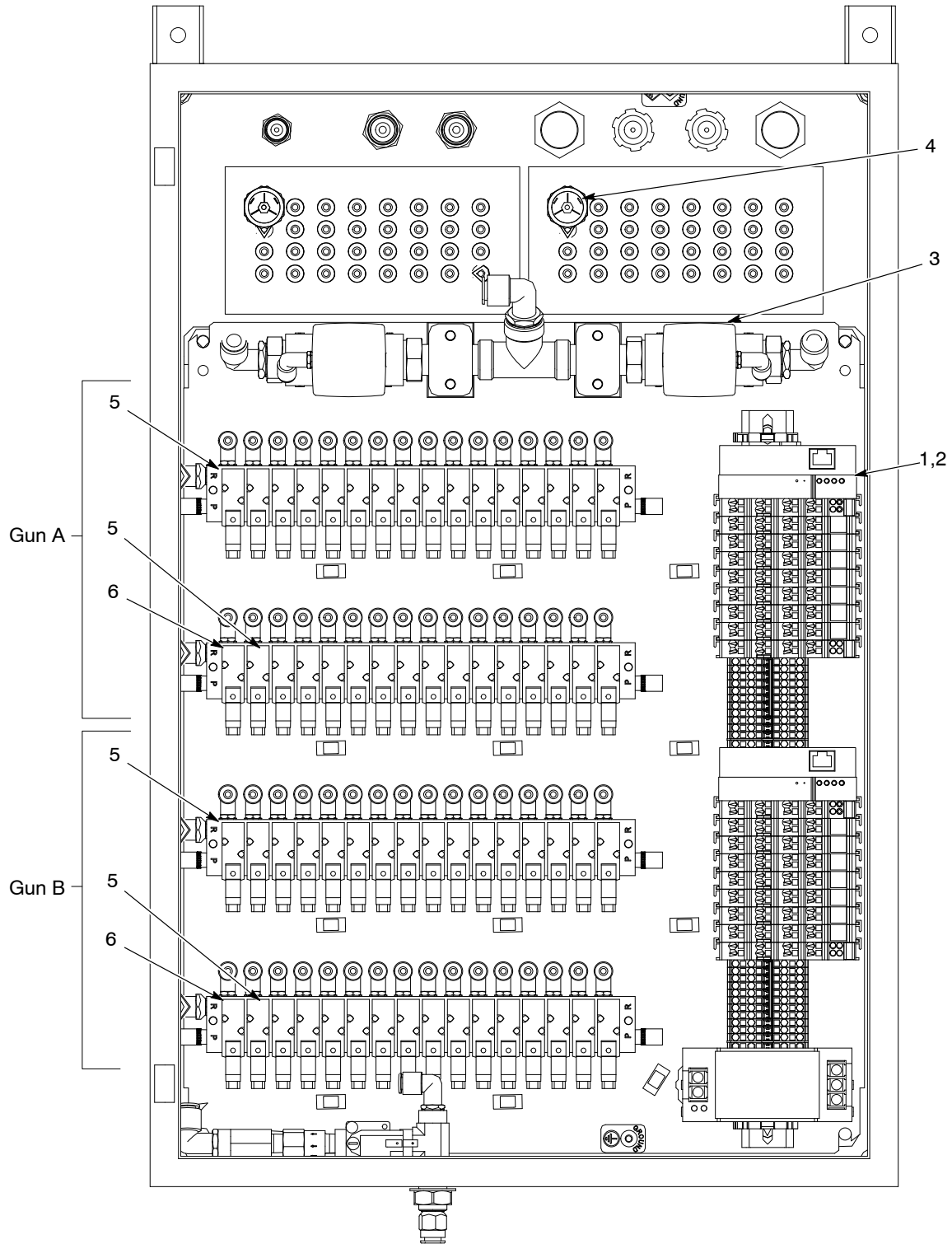


Figure 4-5 Color Control Panel Parts

Control Unit (PLC)

See Figure 4-6.

Item	Part	Description	Quantity	Note
-	1101489	CONTROL UNIT, dual pump color changer, PLC	1	
-	1101459	CONTROL UNIT, single pump color changer, PLC	1	
1	1105978	• CONTROLLER, programmed, COD, Gen III	AR	A, D
2	1064193	• MODULE, 8-channel digital input, Wago, 750-430	AR	B, D
3	1064195	• MODULE, 8-channel digital output, Wago, 750-530	AR	C, D
4	1064191	• MODULE, end, carrier, Wago, 750-600	1	
5	1064192	• POWER SUPPLY, 90W, 24Vdc, 3.75 amps, DIN rail	1	D
<p>NOTE A: Two required for dual control unit, one for single. B: Four required for dual control unit, two for single. C: Ten required for dual control unit, five for single. D: Installation by a qualified Nordson service representative is recommended for these parts.</p> <p>AR: As Required NS: Not Shown</p>				

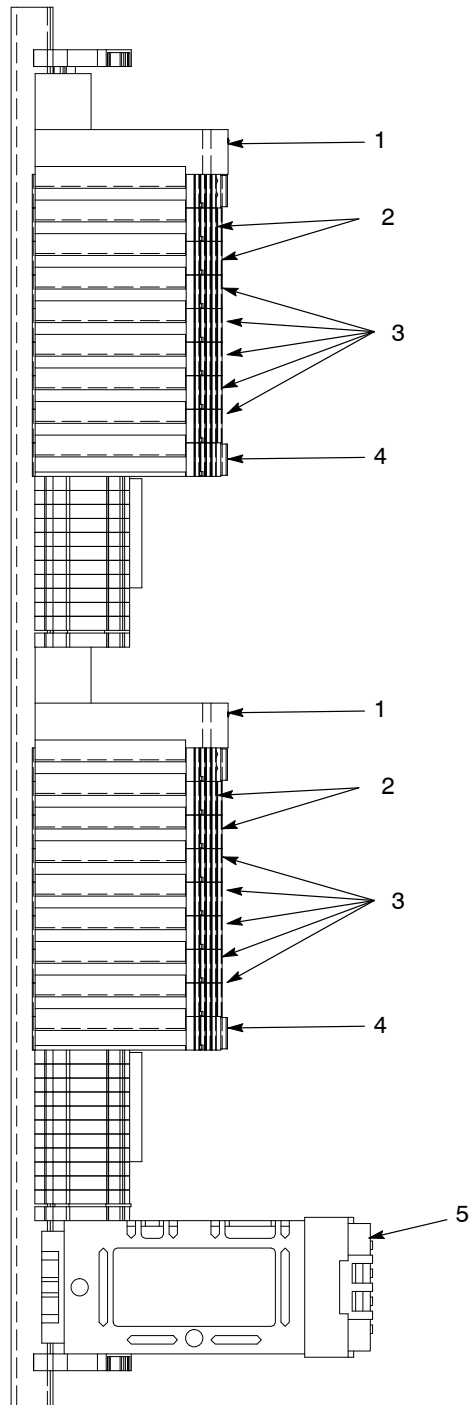


Figure 4-6 Control Unit (PLC) Parts

Ship-with Kit

Part	Description	Quantity	Note
1067148	KIT, ship-with, Color-on-Demand system	1	
1072866	• CABLE, Ethernet CAT5E, 50 ft	1	
248375	• CONDUIT, flexible, bulk, 1/2 in. (50 ft)	AR	A
1058224	• CONNECTOR, Ethernet, RJ45-to-IDC, CAT5	1	
1078555	• BOX, surface mount, Ethernet	1	
226690	• TUBING, polyurethane, 12/8 mm, blue (50 ft)	AR	A
1064948	• SWITCH, foot, air, 3-way, 100 psi	AR	
900742	• TUBING, polyurethane, 6/4 mm, blue (100 ft)	AR	A
1065711	• CABLE, Ethernet crossover, CAT5E, RJ45, 3 ft	1	
-----	• UNION, reducer, 12 mm tube x 8 mm tube	1	
972141	• CONNECTOR, male, 6 mm tube x 1/8 in. unithread	2	
911110	• UNION, bulkhead, 12 mm tube x 12 mm tube	2	
933071	• TERMINAL, ringtong, ins, 22-18, 10	1	

NOTE A: Order replacements in increments of one foot.
 AR: As Required

Color Change Manifold

See Figure 4-7.

Item	Part	Description	Quantity	Note
-	1094892	MANIFOLD, module, Color-on-Demand, assembly		
1	972126	• CONNECTOR, male, elbow, 6 mm tube x 1/8 in. unithread	10	
2	981225	• SCREW, socket head, 1/4-20 x 0.625 in.	16	
3	1045837	• SCREW, pan head, M5 x 12, w/lockwasher	1	
4	983021	• WASHER, flat, 0.203 x 0.406 x 0.040, brass	2	
5	984702	• NUT, hex, M5, brass	1	
6	983401	• WASHER, lock, split, M5, steel, zinc	1	
7	246458	• JUMPER, ground, 4 in.	1	
8	1047934	• KNOB, lock, powder tube	12	
8A	940117	• O-RING, silicone, .312 x .438 x .063 in.	12	C
9	945115	• O-RING, Viton, 8.00 x 2.00	12	A
10	1080408	• DISC, filter, Prodigy HDLV pump	10	B
11	-----	• SUPPORT, Color-on-Demand bladder	10	
12	-----	• VALVE BLADDER, color changer, 0.12 W, , Color-on-Demand	10	B
13	-----	• MANIFOLD, color changer, Color-on-Demand	1	
14	-----	• BRACKET, Prodigy color changer	1	
15	983409	• WASHER, lock, split, M6, steel, zinc	2	
16	982499	• SCREW, pan head, slotted, M6 x 12, zinc	2	
17	-----	• COVER, manifold, color changer, Color-on-Demand	1	

NOTE A: Available in packages of 12, order 1065983 KIT, Color-on-Demand, O-Ring, 12 pack.
 B: Available in packages of 10 bladders and 10 filter discs, order 1065982, KIT, Color-on-Demand, bladder, 10 pack.
 C: Internal O-ring for lock knob.

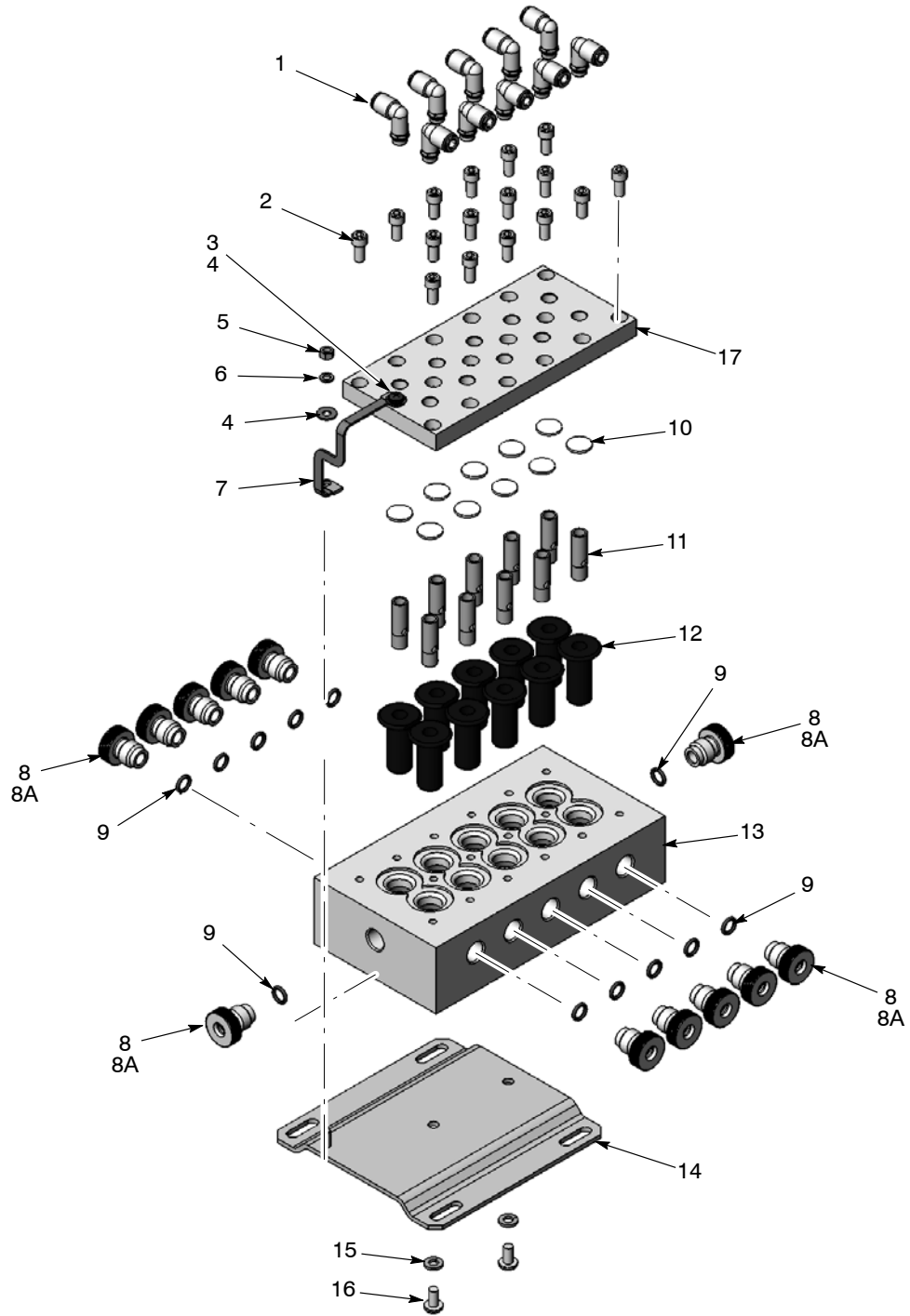


Figure 4-7 Color Change Manifold Parts

Dump Valve

See Figure 4-8.

Item	Part	Description	Quantity	Note
-	1074720	VALVE, dump, Color-on-Demand	1	
1	971104	• CONNECTOR, male, 12 mm x 1/4 in. unithread	1	
2	1064886	• SCREW, socket head, M6 x 14, zinc	8	
3	-----	• CAP, dump valve, Color-on-Demand	2	
4	1066626	• VALVE, pinch, HDLV pump	1	A
5	1074028	• BODY, dump valve, Color-on-Demand	1	
6	972126	• CONNECTOR, male, elbow, 6 mm x 1/8 in. unithread	1	
7	971121	• CONNECTOR, male, 8 mm x 1/4 in. unithread	1	
8	1075460	FILTER, inline, 1/8-in. NPT	1	

NOTE A: To replace, order 1066626 KIT, dump valve, pinch valve, 4 pack. Use insertion tool shipped with pump pinch valve kit to install.

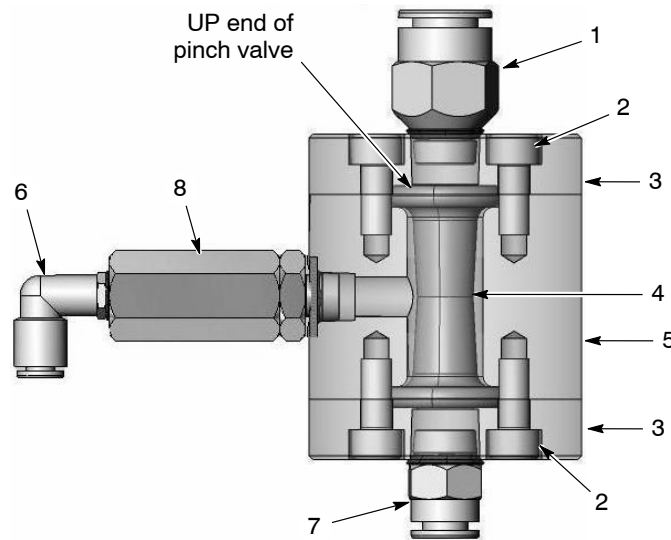


Figure 4-8 Dump Valve Parts

*Section 5***Encore® PE and PE HD Systems**

NOTE: For complete parts lists refer to individual component manuals:

1604193 Encore Manual Porcelain Enamel Powder Spray Gun
 1601753 Encore Automatic Porcelain Enamel Powder Spray Gun
 1602228 Ion Collector Kit for Encore Automatic PE Powder Spray Gun
 1605438 Encore Automatic PE HD Powder Spray Gun

Encore PE Manual Spray Gun	5-2
Options	5-5
Encore PE Manual Controller	5-6
Front Panel and Internal Cabinet Ground	5-6
Rear Panel	5-8
Manifold	5-10
Encore PE System Components	5-11
System Options	5-11
Encore PE Automatic Spray Guns	5-12
Encore PE Automatic Spray Gun (Venturi)	5-12
Electrode Support Repair	5-14
Cable Options	5-14
Standard Articulating Gun Bar	5-15
Optional Articulating Gun Bar	5-16
Optional Fixed Gun Bar	5-17
Ion Collector Kit	5-18
Encore Automatic PE HD Spray Gun	5-20
Electrode Support Repair Parts	5-22
Cable Options	5-22
Standard Articulating Gun Bar	5-23
Optional Articulating Gun Bar	5-24
Optional Fixed Gun Bar	5-25
Ion Collector Kit	5-26

Encore PE Manual Spray Gun

See Figure 5-1.

Item	Part	Description	Quantity	Note
–	1601416	SPRAY GUN, manual, Encore PE	1	
1	1601811	• RETAINER, deflector, 38 mm, Encore PE	1	
2	245523	• DEFLECTOR, 38 mm diameter, ceramic	1	
3	945016	• • O-RING, silicone, 0.251 x 0.40 x 0.074 in.	1	
4	246578	• INSERT, Pyrex	1	
5	940331	• O-RING, silicone, 2.00 x 2.175 x 0.063 in.	1	
6	942240	• O-RING, hotpaint, 1.75 x 2.00 x 0.125 in.	1	
7	982455	• SCREW, SET, M6 x 1.0 x 8, nylon, black	1	
8	1601433	• SLEEVE, pattern adjuster, Encore PE	1	
9	1602039	• O-RING, Buna-N, 46 x 3, 70 duro	1	
10	1601430	• NOZZLE, conical, Encore PE	1	
11	1601431	• NUT, nozzle, Encore PE	1	
12	1601422	• RING, retaining, nozzle, Encore PE	1	
13	1601814	• HOLDER, electrode, conical, Encore PE	1	
14	1602041	• ELECTRODE, spring contact, Encore PE	1	
15	1601423	• SUPPORT assembly, electrode, Encore PE	1	
16	1601428	• • SPIDER, ceramic, Encore PE	1	
17	1602193	• • KIT, sleeve, Encore PE	1	
18	1601429	• • • SPRING, compression, 0.088 x 0.75 long	1	
19	1602192	• • KIT, electrode support, Encore PE	1	
20	1088506	• KIT, body assembly, handgun, Encore	1	
20A	1088558	• • FILTER assembly, handgun	1	
21	1084821	• POWER SUPPLY, 100 kV, Encore, packaged	1	
22	1601437	• ELBOW assembly, spray gun, Encore PE	1	
22A	940163	• • O-RING, silicone, 0.625 x 0.75 x 0.063 in.	1	
23	1088502	• GASKET, multiplier cover, handgun, Encore	1	
24	1106872	• BULKHEAD, multiplier, handgun, Encore LT/XT	1	
25	982427	• MACHINE SCREW, panhead, M3 x 6, zinc	1	
26	983520	• WASHER, lock, internal, M3, steel, zinc	1	
27	1106871	• HANDLE, ground pad, handgun, Encore LT/XT	1	
28	1087559	• COVER, gun display housing, Encore	1	
29	1087558	• HOUSING, gun display, Encore	1	
30	1087760	• HOOK, handgun, Encore	1	
31A	1078075	• SCREW, Phillips head, M3 x 30, zinc plate	1	
31B	760580	• SCREW, Phillips head, M3 x 20, zinc plate	3	
32	1081777	• RETAINING RING, external, 10 mm, E-ring	1	
33	1106756	• CABLE assembly, handgun, Encore LT/XT, 6 meter	1	
33A	940129	• • O-RING, silicone, conductive, 0.375 x 0.50in.	1	
33B	-----	• • CLAMP, cable, 0.25 ID x 0.05 thick, white	1	
34	1108095	• KIT, trigger switch, Encore	1	

Continued...

Item	Part	Description	Quantity	Note
35	1601439	• INLET assembly, powder, Encore PE	1	
35A	1084773	• • O-RING, silicone, 18 mm ID x 2 mm W, 70 duro	2	
36	1601756	• ADAPTER assembly, hose, spray gun, M, Encore PE	1	
36A	940157	• • O-RING, Viton, black, 0.563 x 0.688, 10415	2	
37	1081617	• CHECK VALVE, male, M5 x 6 mm tube	1	
38	1081616	• FITTING, bulkhead, barbed, dual, 10–32 x 4 mm tubing		
39	1087762	• BASE, handle, handgun, Encore	1	
40	1106870	• HANDLE, handgun, Encore LT/XT	1	
41	1606999	• KIT, service, Encore trigger axle/trigger	1	
42	-----	• • TRIGGER, main, spray gun, Encore Gen II	1	
43	-----	• • ACTUATOR, switch, trigger, Encore LT/XT	1	
44	-----	• • AXLE, trigger, solid, spray gun, Encore	1	
45	1081540	• TRIGGER, setting, handgun	1	
46	1088601	• SCREW, flat head, recessed, M5 x 10, nylon	1	
NS	900617	• TUBE, polyurethane, 4 mm OD, clear	AR	A
NS	900741	• TUBING, polyurethane, 6/4 mm, black	AR	A
NS	900620	• TUBING, poly, spiral cut, 3/8 in. ID	AR	A
NOTE A: Order in increments of one foot or one meter.				
AR: As Required				
NS: Not Shown				

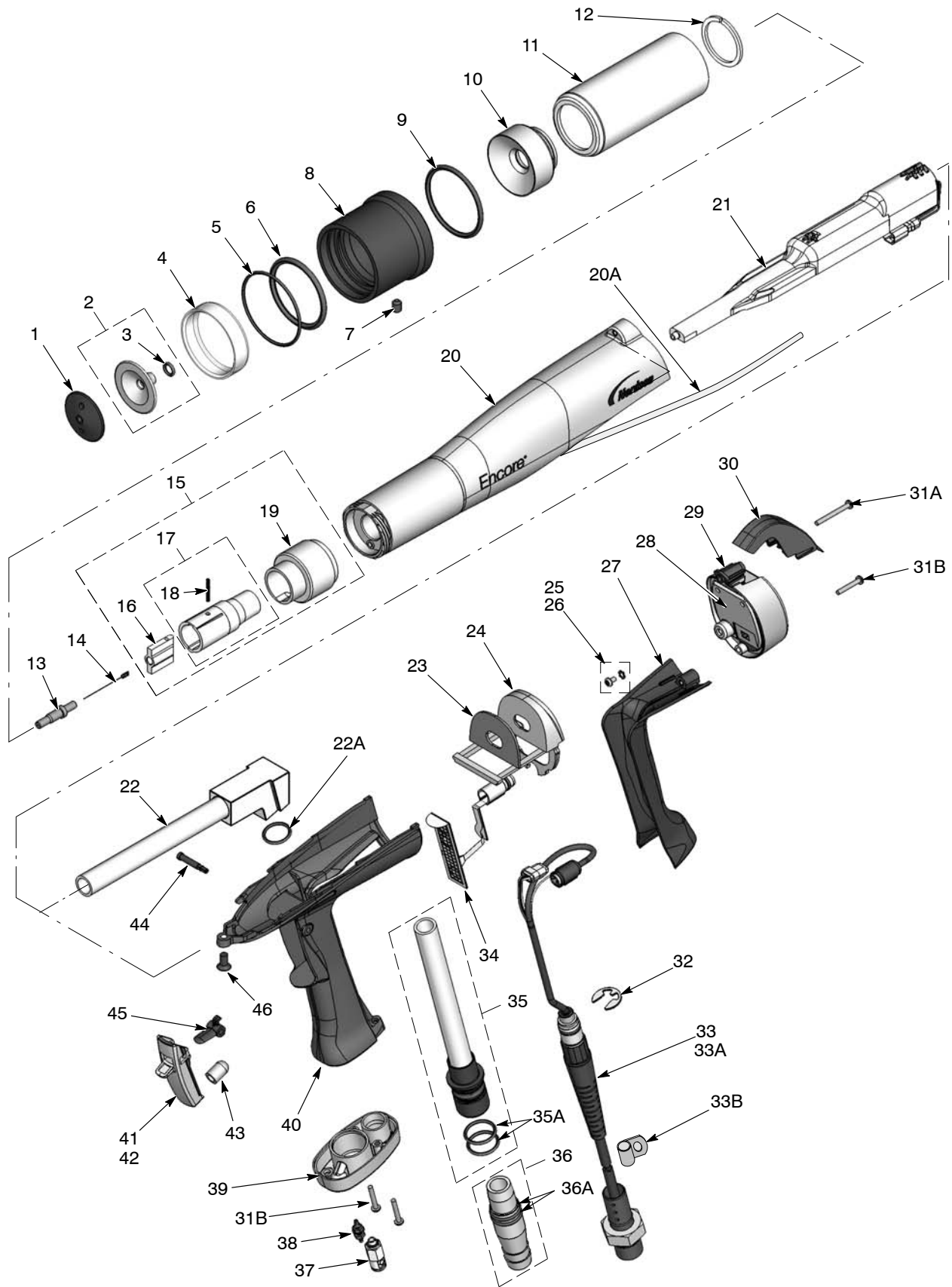


Figure 5-1 Encore PE Manual Spray Gun and Accessories

Options

See Figure 5-1.

Item	Part	Description	Quantity	Note
NS	1085168	CABLE, 6 meter extension, shielded, Encore manual	1	
NS: Not Shown				

Encore PE Manual Controller

Front Panel and Internal Cabinet Ground

See Figure 5-2.

Item	Part	Description	Quantity	Note
–	1107552	CONTROLLER ASSY, manual, Encore LT, packaged	1	
1	1108279	• KIT, PCA, control, Encore LT	1	
2	1108312	• PANEL, keypad, Encore LT/auto controller, packaged	1	
3	982916	• SCREW, flat, socket, M5 x 10, black	4	
4	-----	• SCREW, button, socket, M5 x 12, zinc	2	
5	983127	• WASHER, lock, internal, M5, zinc	2	
6	983403	• WASHER, lock, split, M4, steel, zinc	4	
7	982881	• SCREW, pan head, recessed, M4 x 6, zinc	2	
8	1045837	• SCREW, pan head, recessed, M5 x 12 w/lockwasher, black	2	
9	984702	• NUT, hex, M5, brass	1	
10	983401	• WASHER, lock, split, M5, steel, zinc	1	
11	983021	• WASHER, flat, 0.203 x 0,406 x 0.040, brass	1	
12	933469	• LUG, 90, double, 0.250, 0.438 in.	1	
13	240674	• TAG, ground	1	

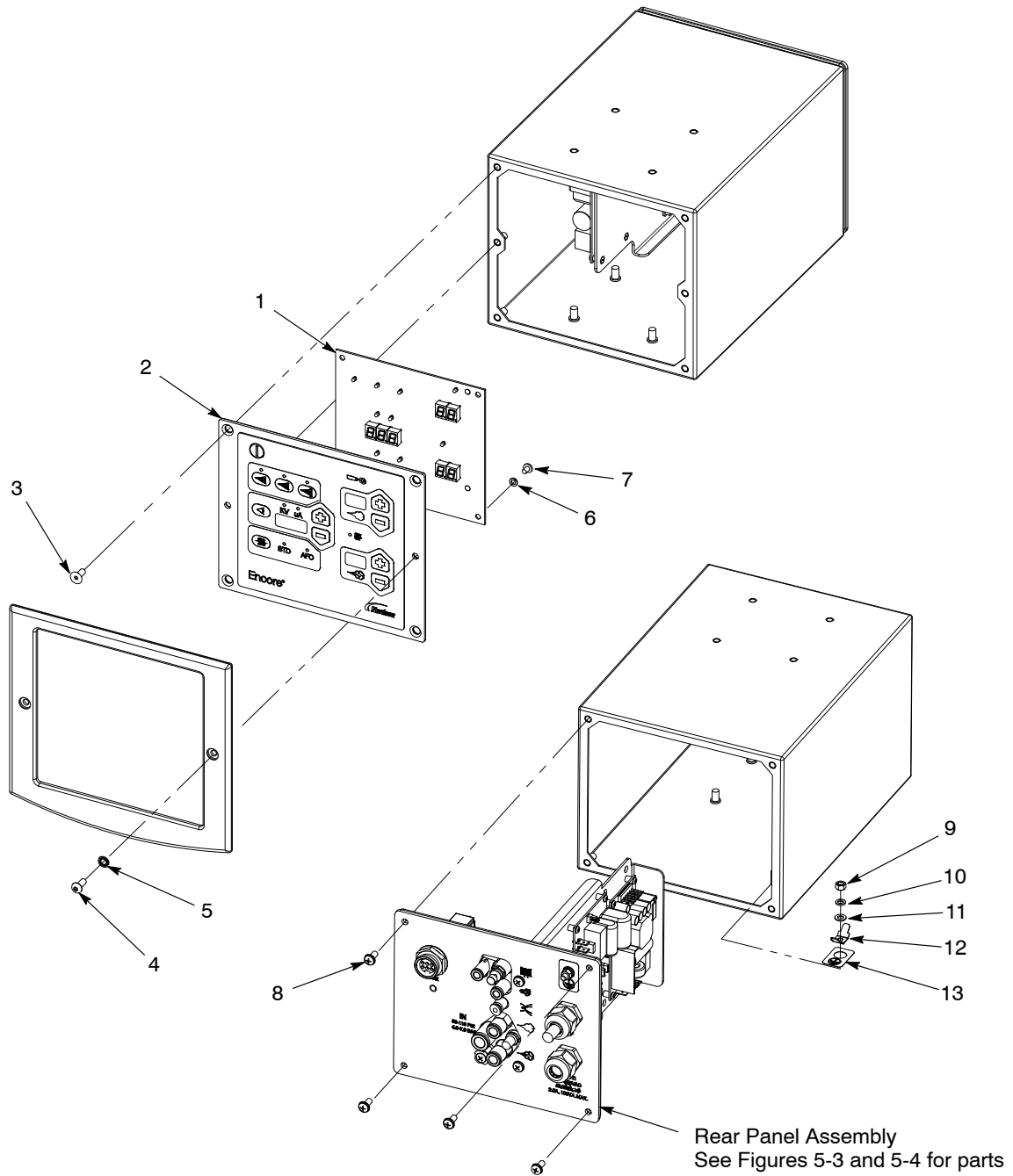


Figure 5-2 Controller Parts

Rear Panel

See Figure 5-3.

Item	Part	Description	Quantity	Note
14	984526	• NUT, lock, 1/2 in. conduit	1	A
15	939122	• SEAL, conduit fitting, 1/2 in., blue	1	
16	1107539	• RECEPTACLE, gun, Encore LT	1	
17	1045837	• SCREW, pan head, recessed, M5 x 12, with lockwasher, black	4	
18	1068715	• WASHER, lock, dished, #10	1	
19	972930	• PLUG, push in, 8 mm tubing, plastic	1	
20	972808	• CONNECTOR, strain relief, 1/2 in. NPT	2	
21	984192	• NUT, lock, 1/2 in. NPT, nylon	2	
22	117549	• GASKET, panel, rear, Encore LT controller	1	
23	982824	• SCREW, pan head, recessed, M3 x 8, with lockwasher, black	10	
24	1107696	• FILTER, line, RFI power, 3A, with 0.250 QD	1	
25	1606835	• KIT, PCA, relay board, Encore LT-HD	1	
26	1107695	• POWER SUPPLY, 24VDC, 60W	1	

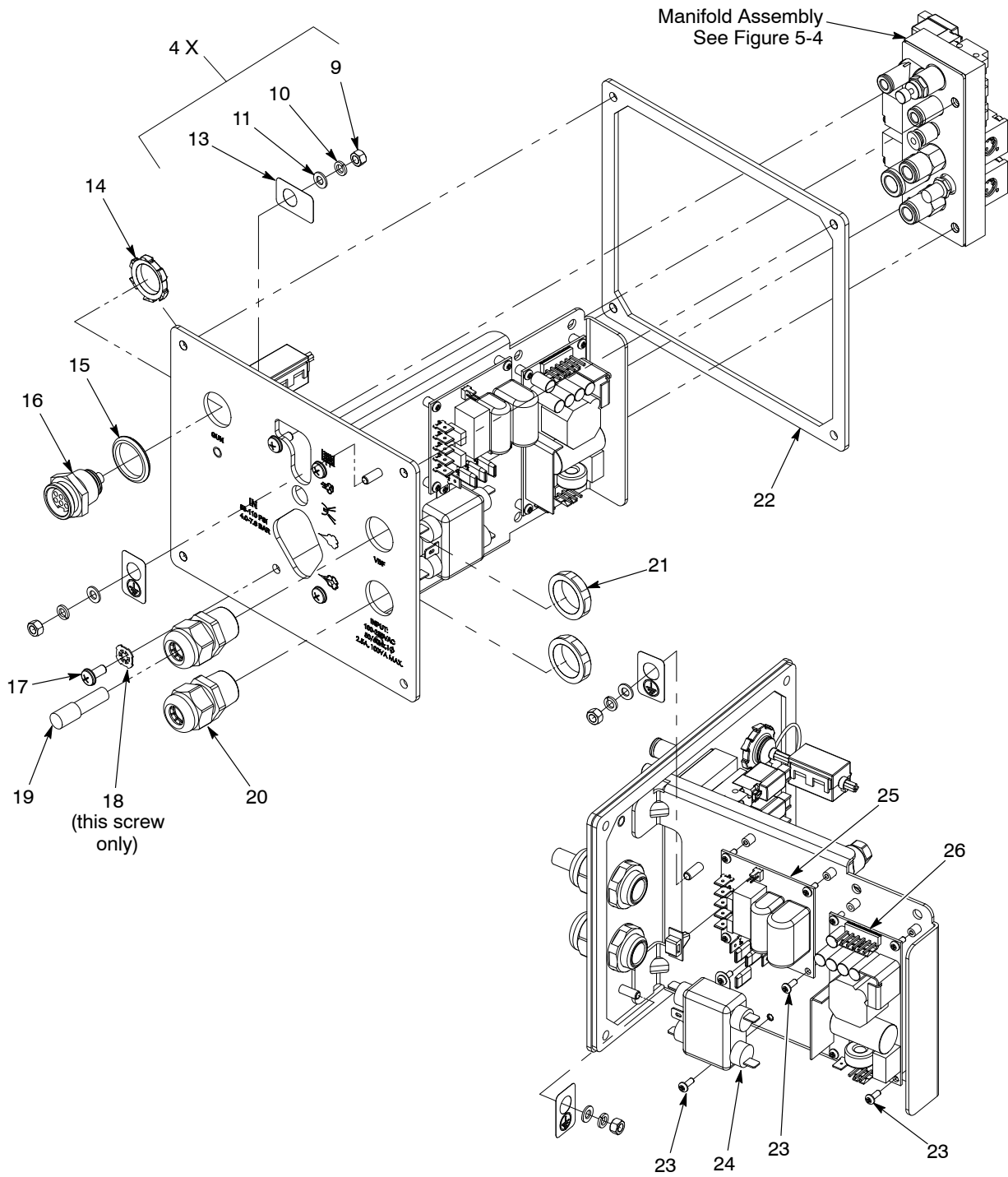


Figure 5-3 Controller Parts

Manifold

See Figure 5-4.

Item	Part	Description	Quantity	Note
27	1030873	• VALVE, check, M8 x R1/8, M input	2	
28	1107596	• CONNECTOR, male, with internal hex, 10 mm tube x 1/8 unithread	1	
29	1062009	• CONNECTOR, male, with internal hex, oval collar, 4 mm tube x M5	1	
30	972399	• CONNECTOR, male, with internal hex, 6 mm tube x 1/8 unithread	1	
31	1604486	• VALVE, flow control, 6 mm x 1/8 unithread	1	
32	1108313	• MUFFLER, exhaust, R1/8	1	
33	1107593	• GASKET, manifold, controller, Encore LT	1	
34	1107597	• REGULATOR, electro-pneumatic	2	
35	1099281	• VALVE, solenoid, 3 port, 24V, 0.35W	3	

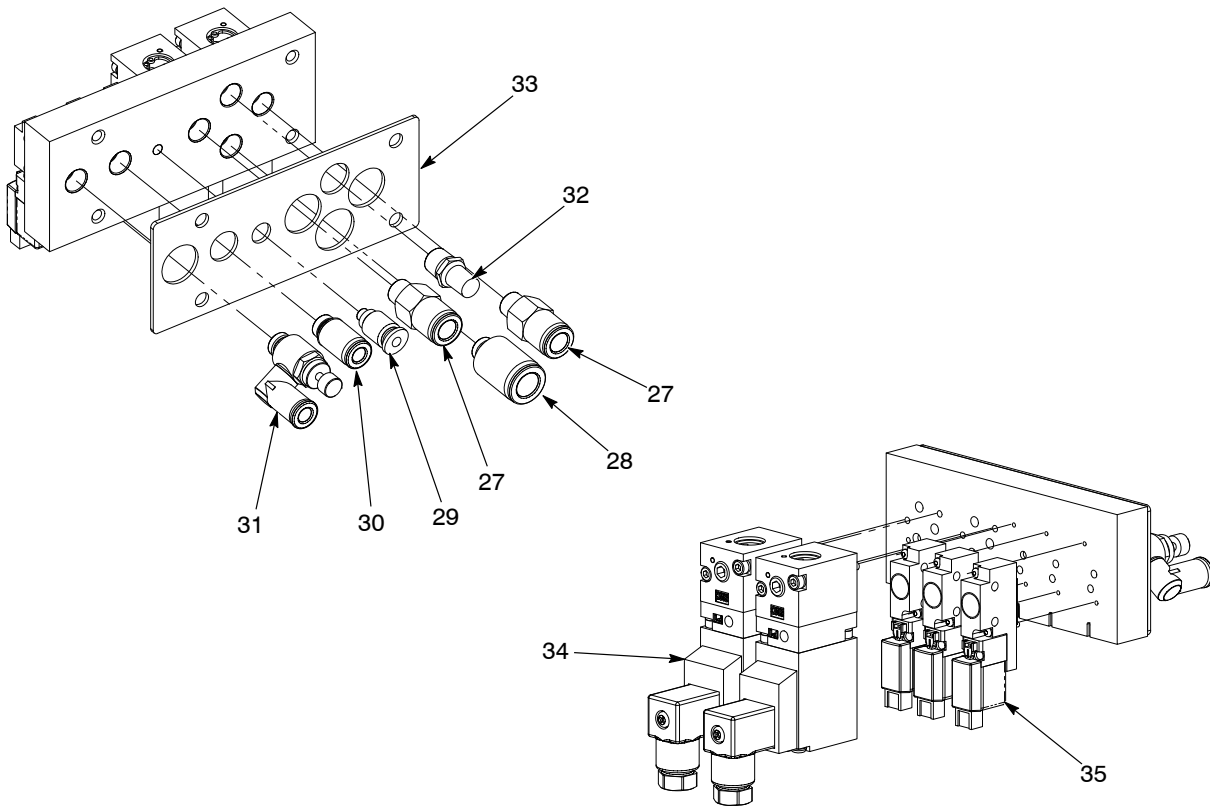


Figure 5-4 Controller Parts

Encore PE System Components

Item	Part	Description	Quantity	Note
NS	1602269	ASSEMBLY, pickup tube, Encore PE	1	
NS	1107552	CONTROLLER, manual, Encore LT, packaged	1	
NS	1602268	PUMP assembly, 90°, Encore PE	1	
NS	1107913	KIT, rail mount, Encore LT	1	
NS	1067694	KIT, ground bus bar, ESD, 6 position, w/hardware	1	
NS	1600658	HANGER, gun, Encore LT	1	
NS	1600566	KIT, filter, Encore LT	1	A
NS	1600608	• FILTER, mist separator, 0.3 micron, 1/2 in. NPT	1	
NS	1600609	• • FILTER ELEMENT, separator, 0.3 micron	1	
NS	1604487	VALVE, flow control, 4-mm tube x 4-mm tube	1	B

NOTE A: Filter kit includes fittings and mounting bracket.
 B: Connect to air wash connector on controller rear panel to control air flow.
 NS: Not Shown

System Options

Part	Description	Quantity	Note
1091429	KIT, input air, Encore manual systems	1	
972841	• CONNECTOR, male, 10 mm tube x 1/4 in. unithread	1	
971102	• CONNECTOR, male, 10 mm tube x 3/8 in. unithread	1	
973500	• COUPLING, pipe, hydraulic, 1/4 in., steel, zinc	1	
973520	• COUPLING, pipe, hydraulic, 3/8 in., steel, zinc	1	
900740	• TUBING, polyurethane, 10 mm, blue	20 ft	A

NOTE A: Replacement tubing has a minimum order quantity of 50 ft.

Encore PE Automatic Spray Guns

Encore PE Automatic Spray Gun (Venturi)

See Figure 5-5.

Item	Part	Description	Quantity	Note
–	1601417	SPRAY GUN, auto, bar mount, Encore PE	1	
1	1601811	• RETAINER, deflector, 38 mm, Encore PE	1	A
2	245523	• DEFLECTOR, 38 in. diameter, ceramic	1	A
3	945016	• • O-RING, silicone, 0.251, x 0.400 x 0.074 in.	1	A
4	246578	• INSERT, Pyrex	1	A
5	940331	• O-RING, silicone, 2.00 x 2.175 x 0.063 in.	1	A
6	942240	• O-RING, hotpaint, 1.75 x 2.00 x 0.125 in.	1	A
7	982455	• SCREW, set, M6 x 1.0 x 8, nylon, black	1	A
8	1601433	• SLEEVE, pattern shaper, Encore PE	1	A
9	1602039	• O-RING, Buna N, 46 x 3, 70 Duro	1	A
10	1601814	• HOLDER, electrode, conical, Encore PE	1	A
11	1602041	• ELECTRODE, spring contact, Encore PE	1	A
12	1601423	• SUPPORT ASSEMBLY, electrode, Encore PE	1	B
13	1601430	• NOZZLE, conical, ceramic, Encore PE	1	A
14	1601431	• NUT, nozzle, Encore PE	1	A
15	1601422	• RING, retaining, nozzle, Encore PE	1	A
16	1098453	• KIT, body, auto, Encore	1	
16A	1088558	• • FILTER ASSEMBLY, handgun	1	
17	1084821	• POWER SUPPLY, 100 KV, negative, Encore	1	
18	1088502	• GASKET, multiplier cover, handgun, Encore	1	
19	1097520	• BULKHEAD, body, front, auto, Encore	1	
20	1101381	• PLATE, screw	1	
21	1097522	• NUT, Allen, 4–40, stainless steel	2	
23	1081616	• FITTING, bulkhead, barb, dual, 10–32 x 4 mm	1	
24	1097514	• RECEPTACLE, gun harness	1	
25	815666	• SCREW, socket, M5 x 0.8 x 12, zinc	1	
26	983127	• WASHER, lock, internal, M5, zinc	1	
27	1097518	• BODY, gun rear, auto, Encore	1	
28	1601420	• CAP, end, bar gun, Encore PE	1	
29	1608283	• KIT, adapter assembly with tube	1	
30	940160	• • O-RING, hotpaint, 0.625 x 0.75 x 0.063 in.	1	
31	1605696	• SCREW, socket head, recessed, M3 x 35 mm	2	
32	983520	• WASHER, lock, internal, M3, steel, zinc	2	
33	1097546	• ADAPTER, tube, mount, bar	1	
34	1097545	• BALL, chrome steel, 6.5 mm diameter, 25, C63	1	
35	345385	• SCREW, set, flat, M8 x 20, fastener	1	
36	1097542	• BRACKET, mount, bar	1	
37	1102293	• KNOB, T–handle, 5/16–18 x 1.5	1	
38	1102294	• WASHER, flat, 0.34 x 0.74 x 0.06, nylon	1	
39	982503	• SCREW, button, socket, M5 x 10, zinc	1	

Continued...

Item	Part	Description	Quantity	Note
NS	939247	• CLAMP, hose, Snap-It	1	
<p>NOTE A: Refer to <i>Encore and Encore HD Nozzles and Nozzle Kits</i> section for flat and corner spray nozzles. Conical and flat/corner spray nozzles use different electrode holders and a new nozzle nut is also required.</p> <p>B: Refer to Figure 5-6 and parts list for repair parts for the electrode support assembly.</p>				

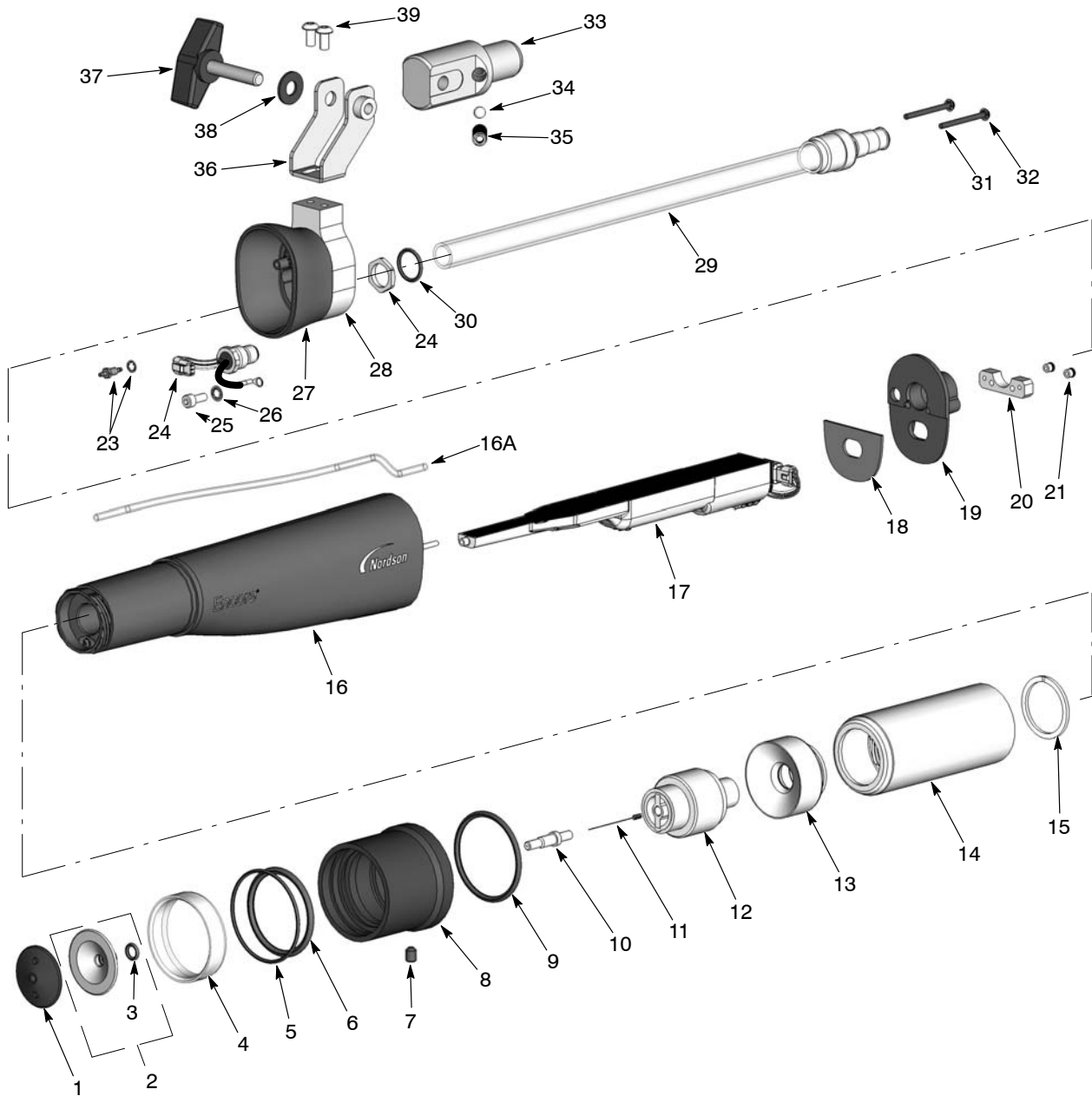


Figure 5-5 Encore PE Spray Gun Parts

Electrode Support Repair

See Figure 5-6.

Item	Part	Description	Quantity	Note
-	1601423	SUPPORT ASSEMBLY, electrode, Encore PE	1	
1	1602193	<ul style="list-style-type: none"> KIT, sleeve, Encore PE 	1	
2	1601429	<ul style="list-style-type: none"> • SPRING, compression, 0.088 OD x 0.75 long 	1	
3	1602192	<ul style="list-style-type: none"> • KIT, electrode support, Encore PE 	1	
4	1601428	<ul style="list-style-type: none"> • SPIDER, ceramic, Encore PE 	1	

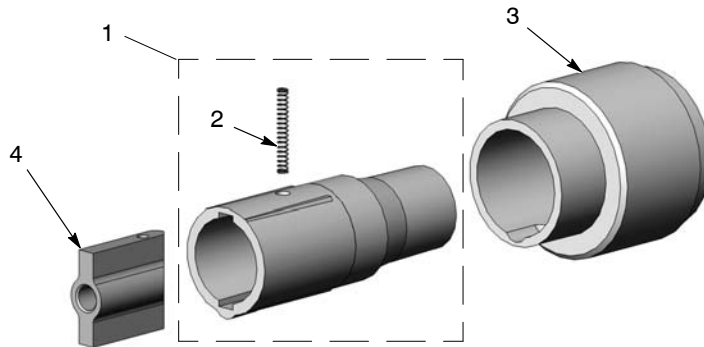


Figure 5-6 Electrode Support Repair Parts

Cable Options

These cables connect the spray gun to the gun controller (Encore iControl Integrated Control Unit or Encore LT Automatic Controller).

Part	Description	Note
1097537	CABLE, auto, Encore, 8 meter (26.25 ft)	
1097539	CABLE, auto, Encore, 12 meter (39.4 ft)	
1097540	CABLE, auto, Encore, 16 meter (52.5 ft)	
1601344	CABLE, extension, Encore auto, 4 meter (13.1 ft)	A
NOTE A: Use between spray gun and 8, 12, or 16 meter cable.		

Standard Articulating Gun Bar

See Figure 5-7. This gun bar is used with the tube adapter shipped with the spray gun. It clamps onto 1-in. diameter mounting bars.

Item	Part	Description	Quantity	Note
–	341727	GUN BAR, aluminum, 1.25-in. OD x 4 ft., assembly	1	
1	327732	• BODY, locking, 1.25 in. diameter	1	
2	327704	• ROD, adjusting, aluminum, 1.25 in. OD x 4 ft	1	
3	327733	• SLEEVE, locking, 1.25 in. diameter	1	
4	248669	• BODY, adjust mounting	1	
5	248957	• HANDLE, adjust, $\frac{3}{8}$ -16 x 1.77 in.	1	
6	249074	• HANDLE, adjust, $\frac{3}{8}$ -16 x 2.75 in.	1	
7	983061	• WASHER, flat, 0.406 x 0.812 x 0.065 in., zinc	1	

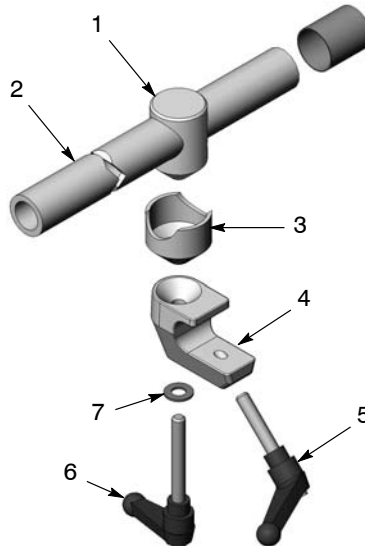


Figure 5-7 Standard Articulating Gun Bar

Optional Articulating Gun Bar

See Figure 5-8. This gun bar allows the powder hose, air tubing, and gun cable to be routed through the adjusting rod to the rear of the gun. It includes a tube adapter that replaces the standard tube adapter shipped with the spray gun.

Item	Part	Description	Quantity	Note
-	1601743	KIT, articulating bar mount, 4 ft., Encore	1	
1	327732	• BODY, locking, 1.25 in. diameter	1	
2	1601444	• ROD, adjusting, stainless steel, 1.25 in. OD x 4 ft	1	
3	327733	• SLEEVE, locking, 1.25 in. diameter	1	
4	248669	• BODY, adjust mounting	1	
5	248957	• HANDLE, adjust, 3/8-16 x 1.77 in.	1	
6	249074	• HANDLE, adjust, 3/8-16 x 2.75 in.	1	
7	983061	• WASHER, flat, 0.406 x 0.812 x 0.065 in., zinc	1	
8	1601432	• ADAPTER, tube, mount, bar, Encore PE	1	
9	1097545	• BALL, chrome steel, 6.5 mm dia., 25, C63	1	
10	345385	• SCREW, set, flat, M8 x 20, fastener	1	

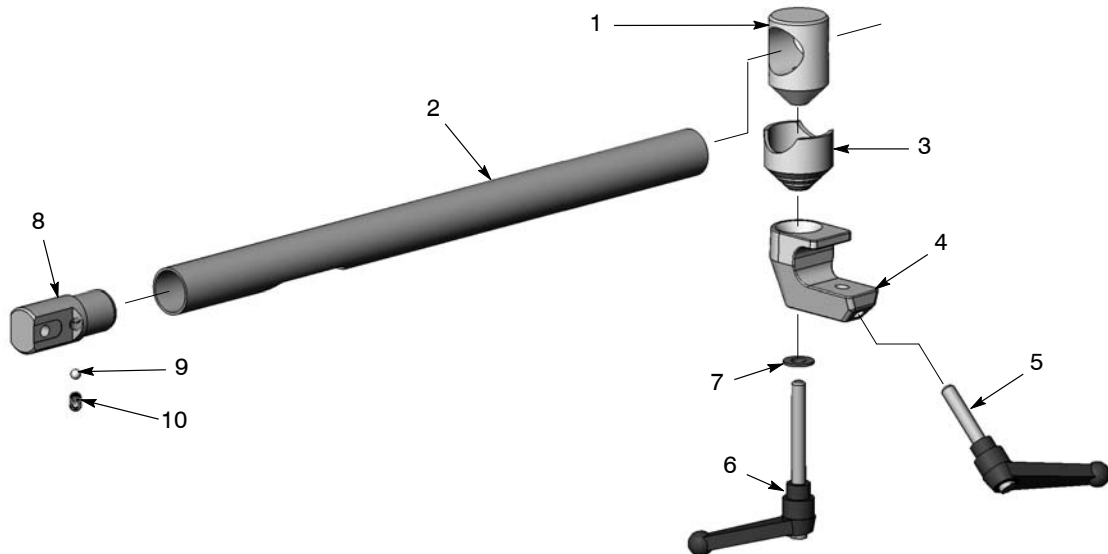


Figure 5-8 Optional Articulating Gun Bar

Optional Fixed Gun Bar

See Figure 5-9. This gun bar allows the powder hose, air tubing, and gun cable to be routed through the adjusting rod to the rear of the gun. It includes a tube adapter that replaces the standard tube adapter shipped with the spray gun.

Item	Part	Description	Quantity	Note
-	1601742	KIT, universal, bar mount, 4 ft., Encore	1	
1	345385	• SCREW, set, flat, M8 x 20, fastener	1	
2	1097545	• BALL, chrome steel, 6.5 mm dia., 25, C63	1	
3	1601432	• ADAPTER, tube, mount, bar, Encore PE	1	
4	1601444	• ROD, adjusting, stainless steel, 1.25 in. OD x 4 ft	1	
5	1103254	• CLAMP, bar, transition, universal	1	
6	1103253	• CAP, clamp, bar, universal	2	
7	1103423	• SCREW, flat, socket, M8 x 40, steel, black oxide	4	

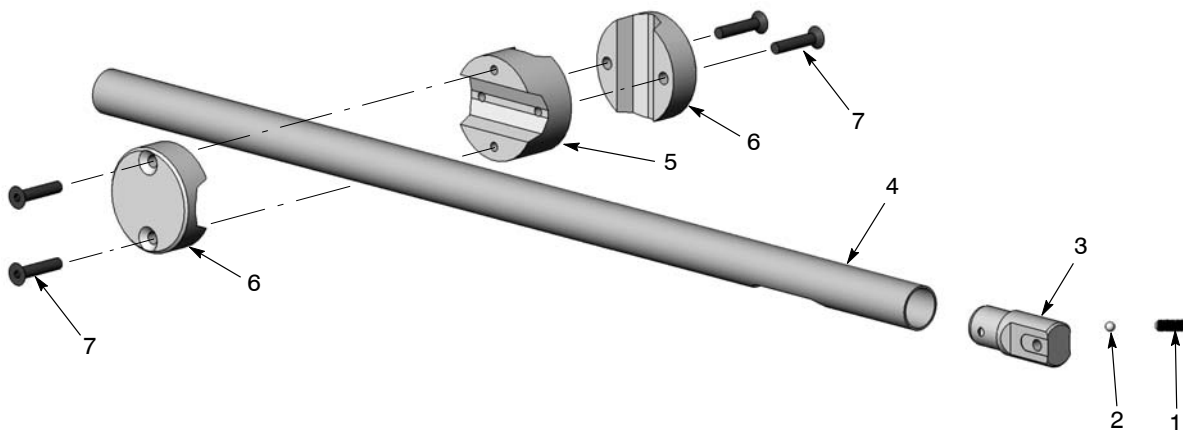


Figure 5-9 Optional Fixed Gun Bar

Ion Collector Kit

See Figure 5-10.

Item	Part	Description	Quantity	Note
-	1602227	KIT, collector, ion, Encore PE	1	
1	-----	• ROD, ion collector, offset	1	
2	982017	• SCREW, pan, rec, M3 x 8, zinc	1	
3	-----	• TIP, ion collector, multi-point	1	
4	1097543	• SCREW, set, nylon tip, M5 x 8, black	1	
5	-----	• BLOCK, ion collector, Encore PE	1	
6	983401	• WASHER, lock, split, M5, steel, zinc	1	
7	-----	• SCREW, button, socket, M5 x 12, zinc	1	

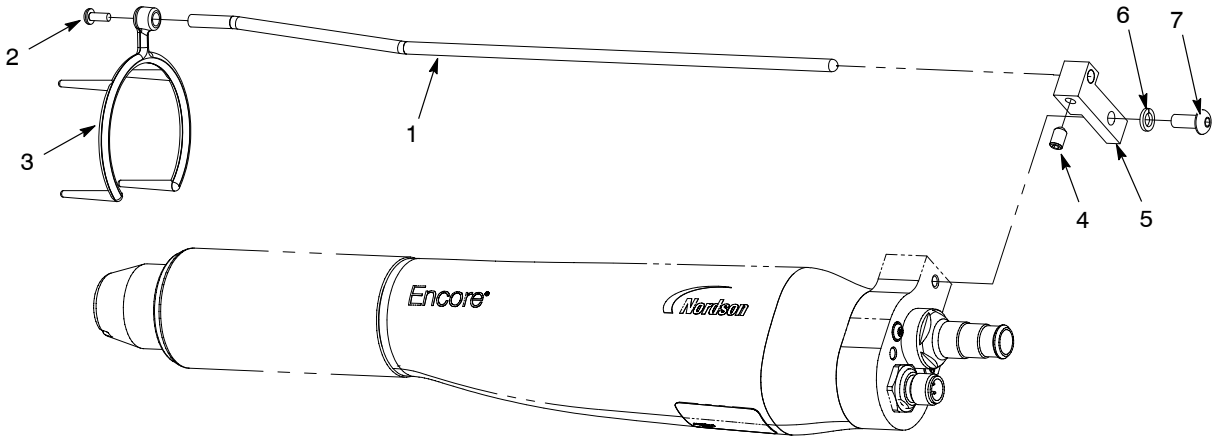


Figure 5-10 Ion Collector Kits

Encore Automatic PE HD Spray Gun

See Figure 4-11.

Item	Part	Description	Quantity	Note
–	1605440	SPRAY GUN, auto, bar mount, Encore PE HD	1	
1	1601811	• RETAINER, deflector, 38 mm, Encore PE HD	1	A
2	245523	• DEFLECTOR, 38 in. diameter, ceramic	1	A
3	945016	• • O-RING, silicone, 0.251, x 0.400 x 0.074 in.	1	A
4	246578	• INSERT, Pyrex	1	A
5	940331	• O-RING, silicone, 2.00 x 2.175 x 0.063 in.	1	A
6	942240	• O-RING, hotpaint, 1.75 x 2.00 x 0.125 in.	1	A
7	982455	• SCREW, set, M6 x 1.0 x 8, nylon, black	1	A
8	1601433	• SLEEVE, pattern shaper, Encore PE HD	1	A
9	1602039	• O-RING, Buna N, 46 x 3, 70 Duro	1	A
10	1601814	• HOLDER, electrode, conical, Encore PE HD	1	A
11	1602041	• ELECTRODE, spring contact, Encore PE HD	1	A
12	1601423	• SUPPORT ASSEMBLY, electrode, Encore PE HD	1	B
13	1601430	• NOZZLE, conical, ceramic, Encore PE HD	1	A
14	1601431	• NUT, nozzle, Encore PE HD	1	A
15	1601422	• RING, retaining, nozzle, Encore PE HD	1	A
16	1098453	• KIT, body, auto, Encore PE HD	1	
16A	1088558	• • FILTER ASSEMBLY, handgun	1	
17	1083426	• POWER SUPPLY, 100 KV, negative, Encore PE HD	1	
18	1088052	• GASKET, multiplier cover, handgun, Encore PE HD	1	
19	1097520	• BULKHEAD, body, front, auto, Encore PE HD	1	
20	1101381	• PLATE, screw	1	
21	1097522	• NUT, Allen, 4–40, stainless steel	2	
23	1081616	• FITTING, bulkhead, barb, dual, 10–32 x 4 mm	1	
24	1097514	• RECEPTACLE, gun harness	1	
25	815666	• SCREW, socket, M5 x 0.8 x 12, zinc	1	
26	983127	• WASHER, lock, internal, M5, zinc	1	
27	1097518	• BODY, gun rear, auto, Encore PE HD	1	
28	1601420	• CAP, end, bar gun, Encore PE HD	1	
29	1608284	• KIT, external diffuser with tube, Encore PE HD	1	
30	940160	• • O-RING, hotpaint, 0.625 x 0.75 x 0.063 in.	1	
31	1605696	• SCREW, skt head, M3 x 35 mm	2	
32	983520	• WASHER, lock, internal, M3, steel, zinc	2	
33	1097546	• ADAPTER, tube, mount, bar	1	
34	1097545	• BALL, chrome steel, 6.5 mm diameter, 25, C63	1	
35	345385	• SCREW, set, flat, M8 x 20, fastener	1	
36	1097542	• BRACKET, mount, bar	1	
37	1102293	• KNOB, T-handle, 5/16–18 x 1.5	1	
38	1102294	• WASHER, flat, 0.34 x 0.74 x 0.06, nylon	1	
39	982503	• SCREW, button, socket, M5 x 10, zinc	1	
NS	939247	• CLAMP, hose, Snap-It	1	

NOTE A: Refer to *Encore and Encore HD Nozzles and Nozzle Kits* section for flat and corner spray nozzles. Conical and flat/corner spray nozzles use different electrode holders and a new nozzle nut is also required.

C: Refer to Figure 5-12 and parts list for repair parts for the electrode support assembly.

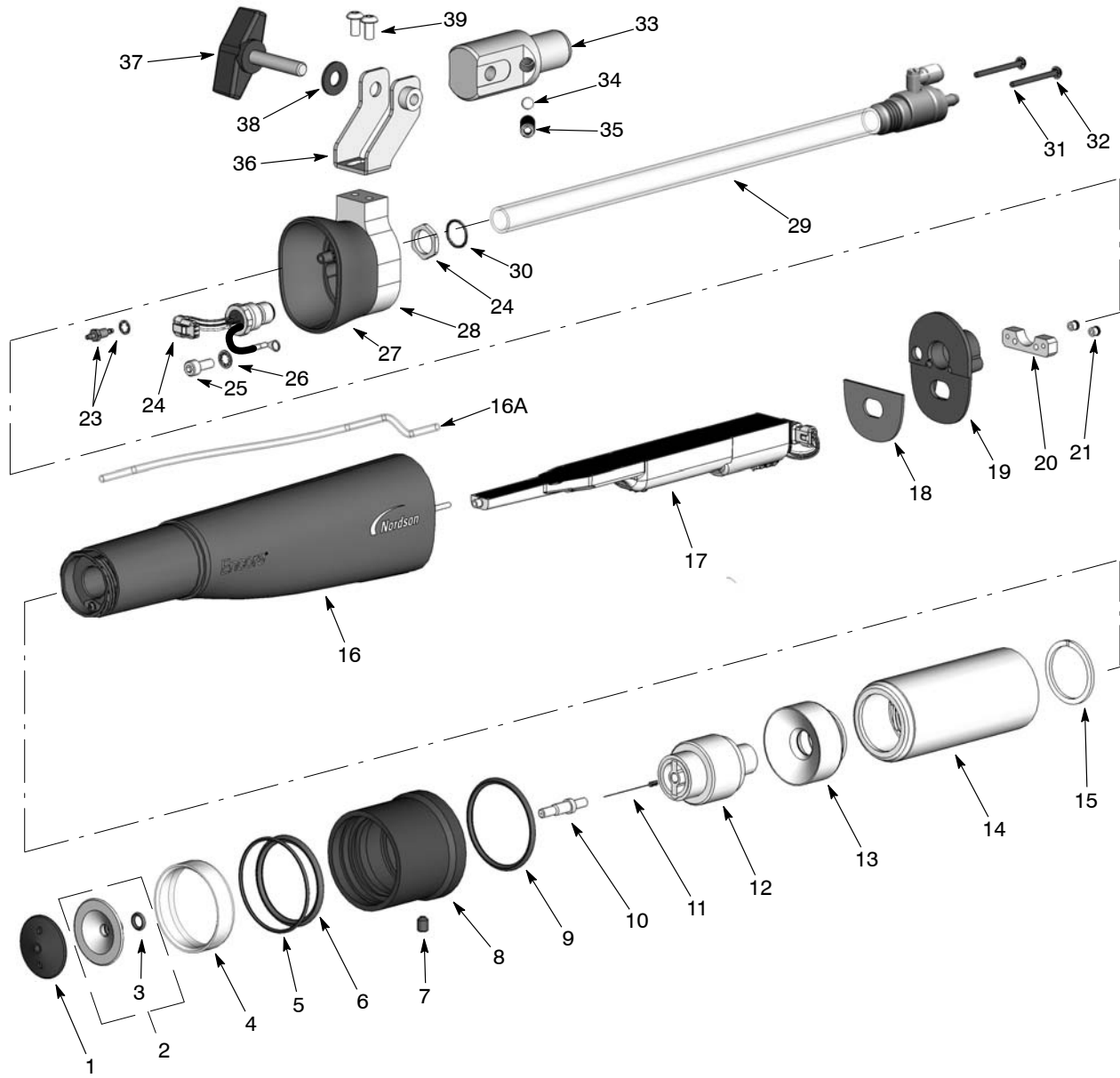


Figure 5-11 Encore PE HD Automatic Spray Gun

Electrode Support Repair Parts

See Figure 4-12.

Item	Part	Description	Quantity	Note
-	1601423	SUPPORT ASSEMBLY, electrode, Encore PE	1	
1	1602193	• KIT, sleeve, Encore PE	1	
2	1601429	• • SPRING, compression, 0.088 OD x 0.75 long	1	
3	1602192	• KIT, electrode support, Encore PE	1	
4	1601428	• SPIDER, ceramic, Encore PE	1	

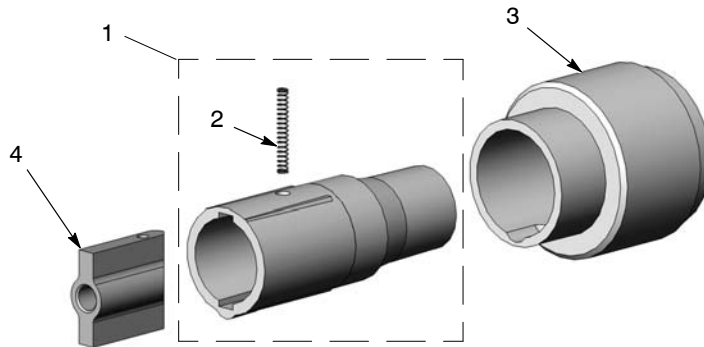


Figure 5-12 Electrode Support Repair Parts

Cable Options

These cables connect the spray gun to the gun controller (Encore iControl Integrated Control Unit or Encore LT Automatic Controller).

Part	Description	Note
1097537	CABLE, auto, Encore, 8 meter (26.25 ft)	
1097539	CABLE, auto, Encore, 12 meter (39.4 ft)	
1097540	CABLE, auto, Encore, 16 meter (52.5 ft)	
1601344	CABLE, extension, Encore auto, 4 meter (13.1 ft)	A
NOTE A: Use between spray gun and 8, 12, or 16 meter cable.		

Standard Articulating Gun Bar

See Figure 4-13. This gun bar is used with the tube adapter shipped with the spray gun. It clamps onto 1-in. diameter mounting bars.

Item	Part	Description	Quantity	Note
–	341727	GUN BAR, aluminum, 1.25-in. OD x 4 ft., assembly	1	
1	327732	• BODY, locking, 1.25 in. diameter	1	
2	327704	• ROD, adjusting, aluminum, 1.25 in. OD x 4 ft	1	
3	327733	• SLEEVE, locking, 1.25 in. diameter	1	
4	248669	• BODY, adjust mounting	1	
5	248957	• HANDLE, adjust, $\frac{3}{8}$ -16 x 1.77 in.	1	
6	249074	• HANDLE, adjust, $\frac{3}{8}$ -16 x 2.75 in.	1	
7	983061	• WASHER, flat, 0.406 x 0.812 x 0.065 in., zinc	1	

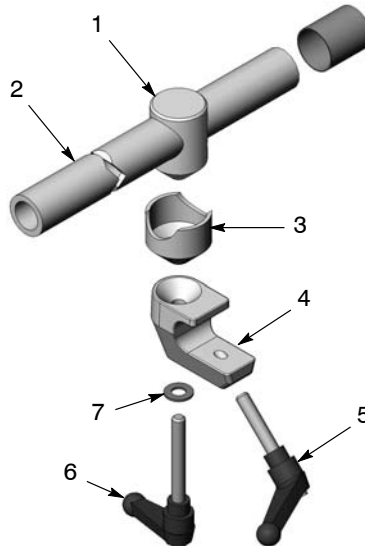


Figure 5-13 Standard Articulating Gun Bar

Optional Articulating Gun Bar

See Figure 4-14. This gun bar allows the powder hose, air tubing, and gun cable to be routed through the adjusting rod to the rear of the gun. It includes a tube adapter that replaces the standard tube adapter shipped with the spray gun.

Item	Part	Description	Quantity	Note
-	1601743	KIT, articulating bar mount, 4 ft., Encore	1	
1	327732	• BODY, locking, 1.25 in. diameter	1	
2	1601444	• ROD, adjusting, stainless steel, 1.25 in. OD x 4 ft	1	
3	327733	• SLEEVE, locking, 1.25 in. diameter	1	
4	248669	• BODY, adjust mounting	1	
5	248957	• HANDLE, adjust, 3/8-16 x 1.77 in.	1	
6	249074	• HANDLE, adjust, 3/8-16 x 2.75 in.	1	
7	983061	• WASHER, flat, 0.406 x 0.812 x 0.065 in., zinc	1	
8	1601432	• ADAPTER, tube, mount, bar, Encore PE	1	
9	1097545	• BALL, chrome steel, 6.5 mm dia., 25, C63	1	
10	345385	• SCREW, set, flat, M8 x 20, fastener	1	

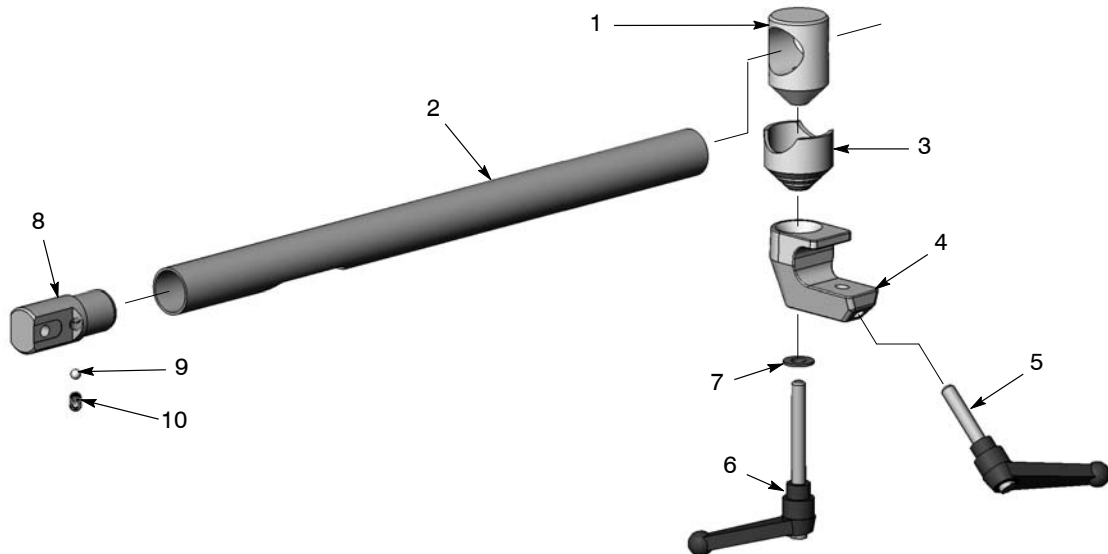


Figure 5-14 Optional Articulating Gun Bar

Optional Fixed Gun Bar

See Figure 4-15. This gun bar allows the powder hose, air tubing, and gun cable to be routed through the adjusting rod to the rear of the gun. It includes a tube adapter that replaces the standard tube adapter shipped with the spray gun.

Item	Part	Description	Quantity	Note
-	1601742	KIT, universal, bar mount, 4 ft., Encore	1	
1	345385	• SCREW, set, flat, M8 x 20, fastener	1	
2	1097545	• BALL, chrome steel, 6.5 mm dia., 25, C63	1	
3	1601432	• ADAPTER, tube, mount, bar, Encore PE	1	
4	1601444	• ROD, adjusting, stainless steel, 1.25 in. OD x 4 ft	1	
5	1103254	• CLAMP, bar, transition, universal	1	
6	1103253	• CAP, clamp, bar, universal	2	
7	1103423	• SCREW, flat, socket, M8 x 40, steel, black oxide	4	

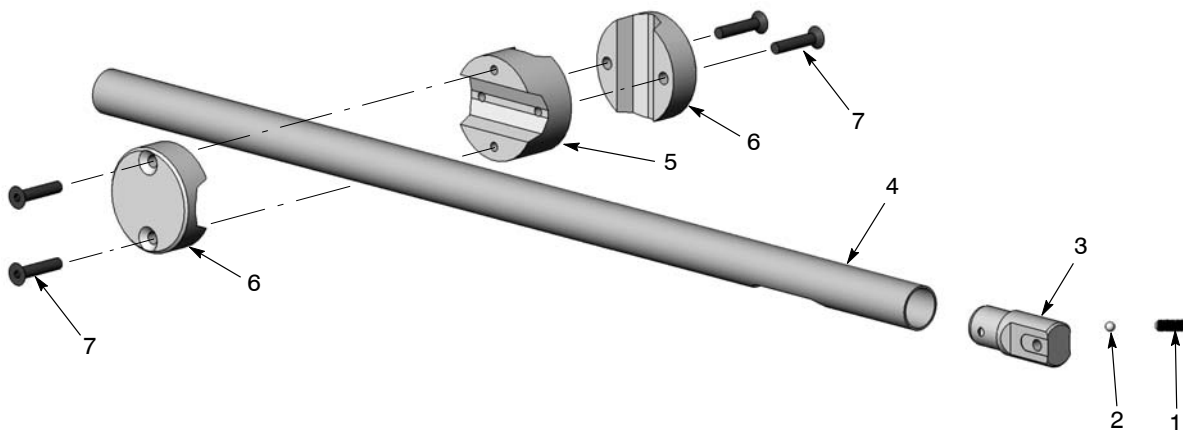


Figure 5-15 Optional Fixed Gun Bar

Ion Collector Kit

See Figure 4-16. Refer to the instruction sheet supplied with the ion collector kit for installation and adjustment instructions.

Item	Part	Description	Quantity	Note
-	1602227	KIT, collector, ion, Encore PE	1	
1	-----	• ROD, ion collector, offset	1	
2	982017	• SCREW, pan, rec, M3 x 8, zinc	1	
3	-----	• TIP, ion collector, multi-point	1	
4	1097543	• SCREW, set, nylon tip, M5 x 8, black	1	
5	-----	• BLOCK, ion collector, Encore PE	1	
6	983401	• WASHER, lock, split, M5, steel, zinc	1	
7	-----	• SCREW, button, socket, M5 x 12, zinc	1	

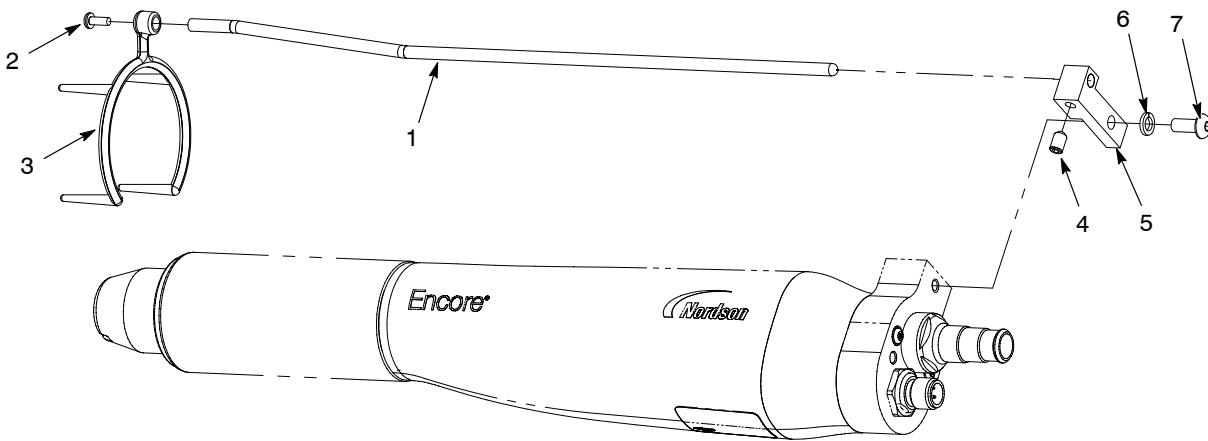


Figure 5-16 Ion Collector Kit

*Section 6***Encore® & Encore HD Nozzles & Nozzle Kits**

NOTE: For complete parts lists refer to individual component manuals:

1603227 Encore XT Manual Powder Spray Systems
 1604857 Encore LT Manual Powder Spray Systems
 1098185 Encore Automatic Powder Spray Guns
 1601753 Encore PE Automatic Powder Spray Gun
 1605615 Encore Angled Spray Extensions
 1604869 Encore HD Manual Powder Spray Gun
 1602018 Encore HD Automatic Spray Guns
 1605438 Encore PE HD Automatic Powder Spray Gun

Nozzles Shipped with Encore & Encore HD Spray Guns . . .	6-2
Encore and Encore HD Flat Spray Nozzles and Accessories	6-2
Flat Spray Nozzles	6-2
Flat Spray Electrode Assembly	6-3
Cross-Cut Spray Nozzles	6-3
45 Degree Corner Spray Nozzle	6-3
45 Degree In-Line Flat Spray Nozzle	6-4
Encore and Encore HD Conical Nozzle and Accessories . . .	6-4
Conical Nozzle and Deflectors	6-4
Conical Nozzle Kit	6-5
Conical Electrode Assembly	6-5
Pattern Adjuster Kit	6-5
Encore and Encore HD Automatic Spray Gun	
Angled Extensions	6-6
Encore PE and PE HD Nozzles	6-8

Nozzles Shipped with Encore & Encore HD Spray Guns

The Encore family of powder spray guns are shipped with the nozzles shown in Table 5-1. All other nozzles and accessories are optional and must be ordered separately.

NOTE: The 4 mm flat spray nozzle is standard for Encore XT manual spray gun use. The 3 mm flat spray nozzle is standard for Encore HD manual spray gun use.

Table 6-1 Nozzles Shipped with Spray Guns

Spray Gun Model	Spray Gun Type	1081656 2.5 mm Flat Spray	1081657 3 mm Flat Spray	1081658 4 mm Flat Spray	1604828 Conical Nozzle Kit	1601430 Conical Nozzle PE
Encore HD	Manual		X	X	X	
Encore XT	Manual		X	X	X	
Encore LT	Manual			X	X	
Encore PE	Manual					X
Encore HD	Automatic	X		X		
Encore	Automatic	X		X		
Encore PE HD	Automatic					X
Encore PE	Automatic					X

Encore and Encore HD Flat Spray Nozzles and Accessories

Encore and Encore HD flat spray nozzles and accessories can be used with Encore HD, Encore XT, Encore LT and Encore manual and automatic guns.

See Table 5-1 for a list of which nozzles ship standard with each spray gun.

Flat Spray Nozzles

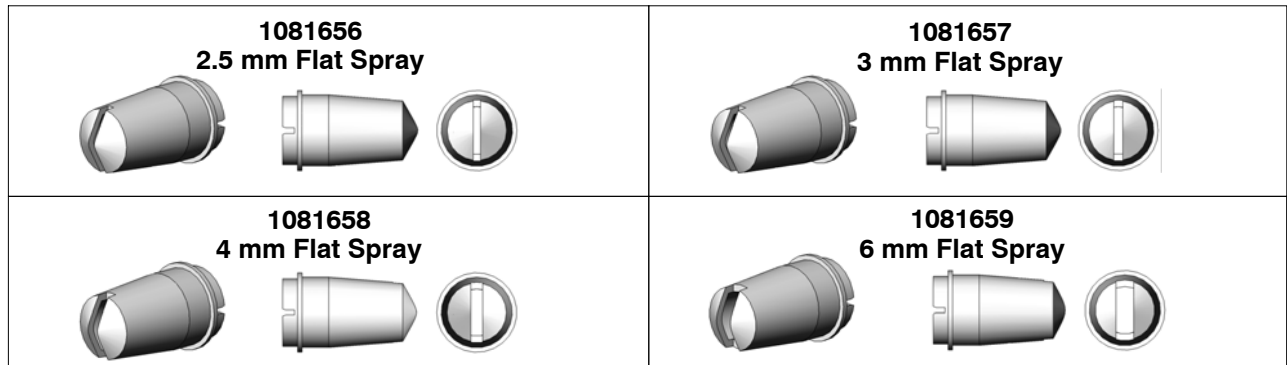


Figure 6-1 Flat Spray Nozzles

Flat Spray Electrode Assembly

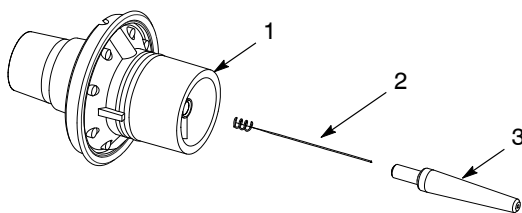


Figure 6-2 Flat Spray Electrode Assembly

Item	Part	Description	Quantity	Note
—	1604824	ELECTRODE ASSEMBLY, flat spray, Encore	1	
1	-----	• ELECTRODE SUPPORT	1	
2	1106078	• ELECTRODE, spring contact	1	
3	1605863	• HOLDER, electrode, M3, flat spray, Encore	1	A

NOTE A: Conical nozzles use a different electrode holder than flat spray nozzles.

Cross-Cut Spray Nozzles

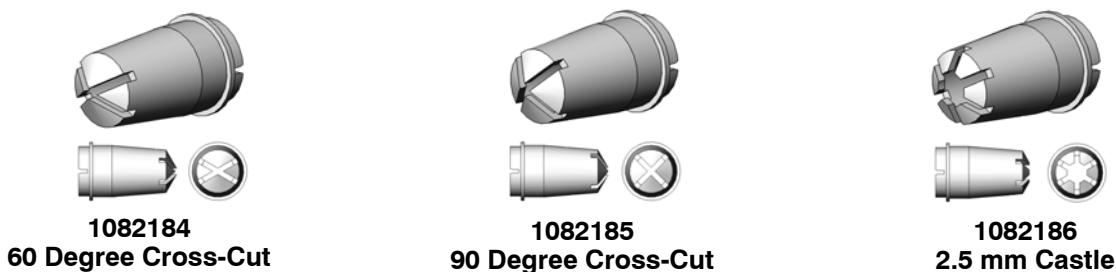


Figure 6-3 Cross-Cut Nozzles

45 Degree Corner Spray Nozzle

See Figure 5-4.

Spray pattern: Wide fan pattern perpendicular to the spray gun axis
Slot type: Angled, cross slot
Application: Flanges and recesses

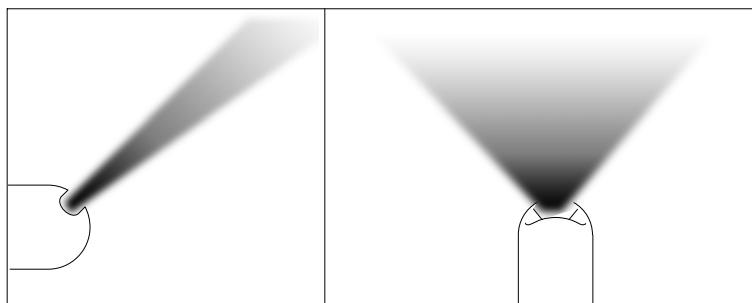


Figure 6-4 45-Degree Corner Spray Nozzle

45 Degree In-Line Flat Spray Nozzle

See Figure 5-5.

- Spray pattern:** Narrow fan pattern in-line with spray gun axis
- Slot type:** Three angled slots in-line with spray gun axis
- Application:** Top and bottom coating; typically no in/out part positioning

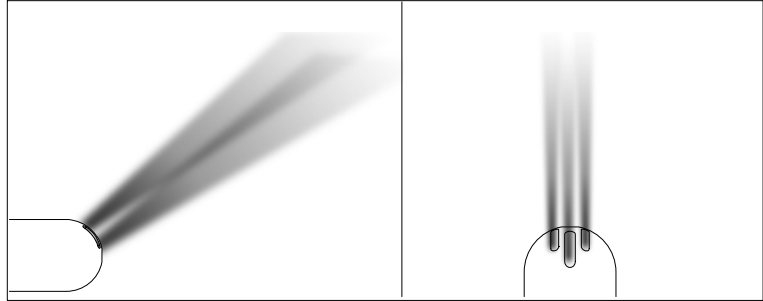


Figure 6-5 45 Degree Flat Spray Nozzle

Encore and Encore HD Conical Nozzle and Accessories

Encore and Encore HD conical spray gun nozzles and accessories can be used with Encore HD, Encore XT, Encore LT and Encore manual and automatic guns. See Table 5-1 for a list of which nozzles ship standard with each spray gun.

Conical Nozzle and Deflectors

See Figure 5-6. The conical nozzle and deflectors must be used with the conical electrode holder.



All deflectors include a 1098306 O-ring, Viton, 3mm x 1.1mm wide

Figure 6-6 Conical Nozzle and Deflectors

Conical Nozzle Kit

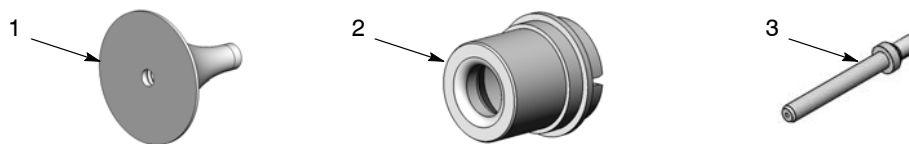


Figure 6-7 Conical Nozzle Kit

Item	Part	Description	Quantity	Note
—	1604828	KIT, conical nozzle, Encore	1	
1	1083206	• DEFLECTOR, 26mm	1	
2	1082060	• NOZZLE, conical	1	
3	1605861	• ELECTRODE HOLDER, conical	1	A

NOTE A: Conical nozzles use a different electrode holder than flat spray nozzles.

Conical Electrode Assembly

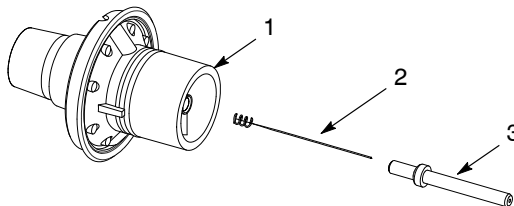
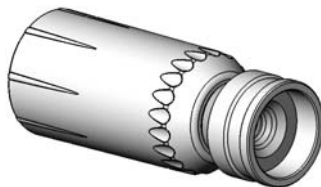


Figure 6-8 Conical Electrode Assembly

Item	Part	Description	Quantity	Note
—	1106076	ELECTRODE ASSEMBLY, conical, Encore	1	
1	-----	• ELECTRODE SUPPORT	1	
2	1106078	• ELECTRODE	1	
3	1605861	• ELECTRODE HOLDER, Conical	1	

Pattern Adjuster Kit

The pattern adjuster kit includes an integral conical nozzle. 16, 19, and 26-mm deflectors can be used with the kit. The deflectors are not included with the kit and must be ordered separately.



1098417
Kit, Pattern Adjuster, Manual Gun, Encore

Figure 6-9 Pattern Adjuster Kit

Encore and Encore HD Automatic Spray Gun Angled Extensions

See Figure 5-10. Encore and Encore HD angled spray extensions are available in 45, 60, and 90 degree versions. They are designed to be used on Encore and Encore HD automatic powder spray guns, allowing powder to be sprayed at varying angles to the gun mounting orientation.

The extensions use the nozzle, nozzle nut, and electrode support from the gun being utilized, and will accept all Encore flat spray and conical spray nozzles.

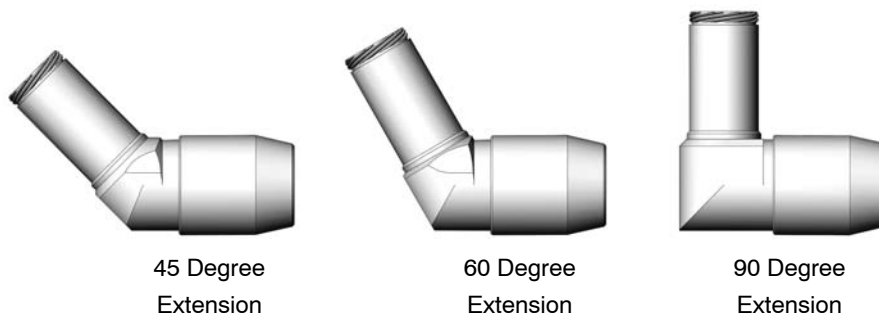


Figure 6-10 Angled Spray Extensions

See Figure 5-11 for parts illustration.

Item	Part	Part	Part	Description	Quantity	Note
—	1605703			Extension, spray, 45 degree, Encore	1	
—		1605614		Extension, spray, 60 degree, Encore	1	
—			1604084	Extension, spray, 90 degree, Encore	1	
1	1604085	1604085	1604085	• Nut, body, extension, Encore	1	
2	1604086	1604086	1604086	• Nut, retainer, extension, Encore	1	
3	1605611	1605611	1604088	• Tube, powder, extension, Encore	1	
4	-----	-----	-----	• Body,extension, auto, Encore	1	A
4A	940163	940163	941144	• O-ring	1	A
5	-----	-----	-----	• Body, powder, auto, Encore	1	B
5A	1604111	1604111	1604111	• O-ring, silicone, 14 mm ID x 1.5 mm wide	1	B
5B	941131	941131	941131	• O-ring, silicone, 0.563 x 0.750 x 0.094 in.	1	B
NS	1605705	1605617	1604132	• Service kit, extension body		
NS	1605704	1605616	1604131	• Service kit, powder body		
NS	1604112	1604112	1604112	• Wrench, spanner	1	C
NOTE A: Included in service kit, extension body. B: Included in service kit, powder body. C: Included with spray extension assemblies.						
NS: Not Shown						

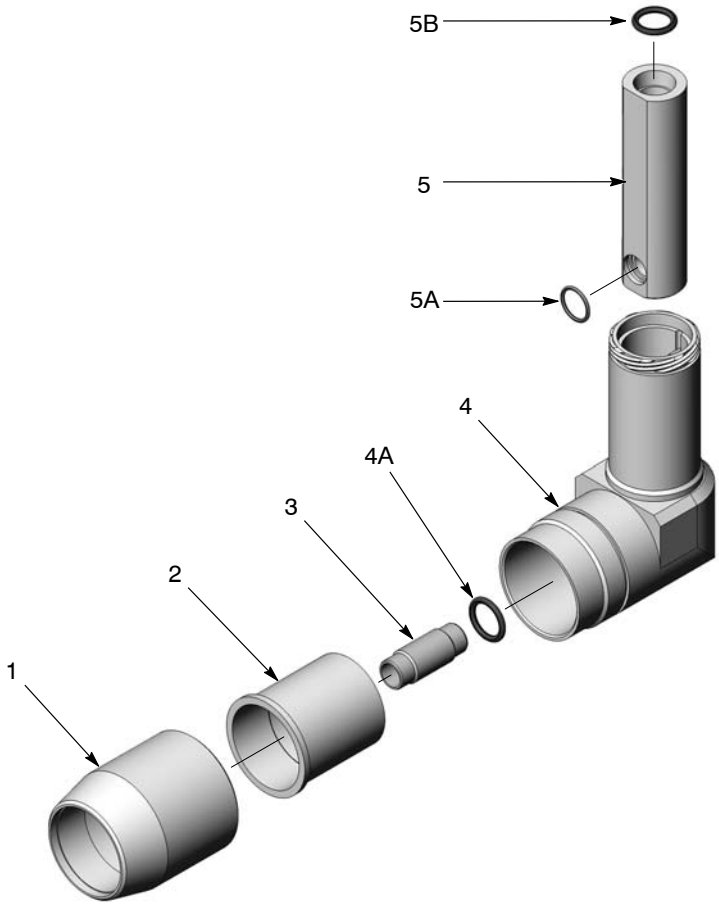


Figure 6-11 Angled Spray Extension Parts, 90 Degree Extension Shown

Encore PE and PE HD Nozzles

See Figures 6-12. Encore PE and PE HD spray guns are shipped with a conical nozzle. If replacing the conical nozzle with an optional flat or corner spray nozzle, order a new nozzle nut and flat spray electrode holder kit along with a nozzle.

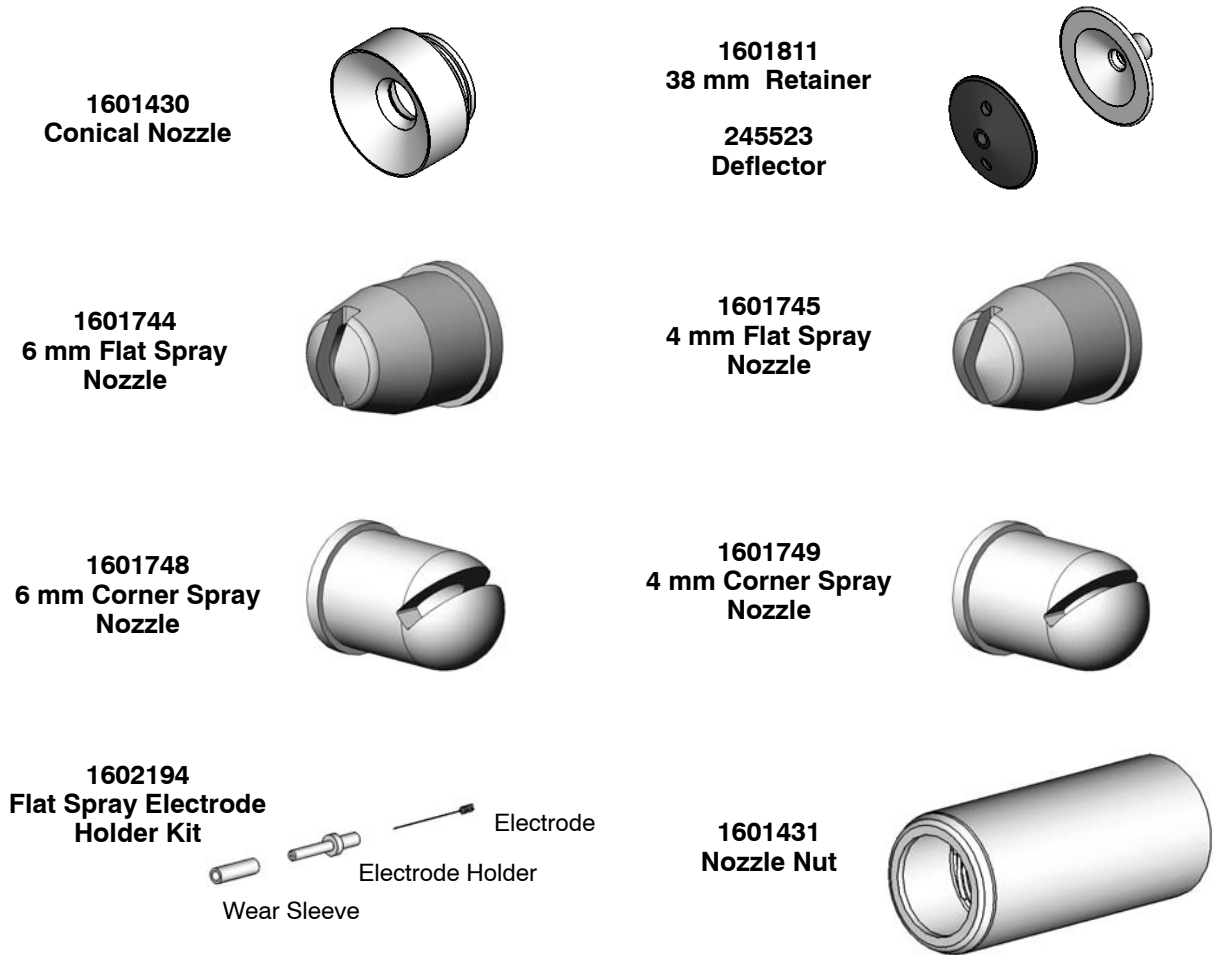


Figure 6-12 Encore PE and PE HD Nozzles

Section 7

Powder Pumps

NOTE: For complete parts lists refer to individual component manuals:

1093013	Encore Powder Feed Pump Generation I
1095927	Encore Powder Feed Pump Generation II
1095928	Encore In-Line Powder Feed Pump
1602273	Encore Porcelain Enamel Powder Feed Pump
1081195	Prodigy HDLV Pump Generation III, Pump Manifold and Circuit Board
1092270	Prodigy Generation II High-Capacity HDLV Transfer Pump
1102110	Prodigy Generation II Automatic System Pump Control Panel
108117	Powder Transfer Pump

Encore™	7-2
Encore Generation I Pump	7-2
Encore Generation II Corona Pump	7-3
Encore Inline Powder Pump	7-4
Options	7-4
Encore Porcelain Enamel Powder Pump	7-5
Optional Tools	7-5
24-inch Pickup Tube Parts	7-6
18-inch Pickup Tube Parts	7-7
Optional Equipment	7-7
Prodigy®	7-8
Prodigy Generation II HDLV® Gun Pump	7-8
Prodigy Generation II HDLV Gun Pump – Spare Parts ...	7-10
Wall Mount Ship with Kit	7-10
Prodigy High-Capacity HDLV Pump	7-11
Prodigy High-Capacity HDLV Pump – Spare Parts	7-13
Pneumatic Assembly Left Side	7-14
Pneumatic Assembly Right Side	7-15
Prodigy High-Capacity HDLV Powder and Air Tubing	7-16
HDLV High-Capacity Pump Pickup Tube Adapters	7-17
Prodigy Automatic HDLV Pump Panel	7-18
Powder Transfer Pumps	7-19
Pump Mounts and Pickup Tubes (Venturi)	7-20
Assemblies	7-21

Encore™

Encore Generation I Pump

See Figure 7-1. For complete parts lists refer to manual 1093013.

Item	Part	Description	Note
–	–	Pump, powder feed, generation I	
1	1082203	• Nut, pump	
2	1085677	• Kit, throat holder	
3	940015	• • O-ring, silicone, 0.562 x 0.687 in.	
4	1082201	• Throat, Tivar	
4	1084777	• Throat, PTFE	
5	1085678	• Kit, body	
6	941145	• • O-ring, silicone, conductive, 0.625 x 0.812 in.	
7	241041	• Coupling, quick disconnect, socket end	
8	241042	• Coupling, quick disconnect, nipple end	
9	1096081	• Connector, female, elbow, $\frac{5}{16}$ (8mm) T x $\frac{1}{8}$ NPT, no seal	
10	1085240	• Kit, air flow nozzle	
11	940084	• • O-ring, 0.188 x 0.312 x 0.063	
12	1082204	• Coupling, pump	A
13	1085679	• Kit, pump adapter	B, C
14	941145	• • O-ring, silicone, conductive, 0.625 x 0.812 in.	C

NOTE A: The coupling is used with any system that does not have an Encore pump mount.
 B: The adapter is used instead of the coupling with pickup tubes on hopper feed systems.
 C: Part does not come with pump. Must order part separately.

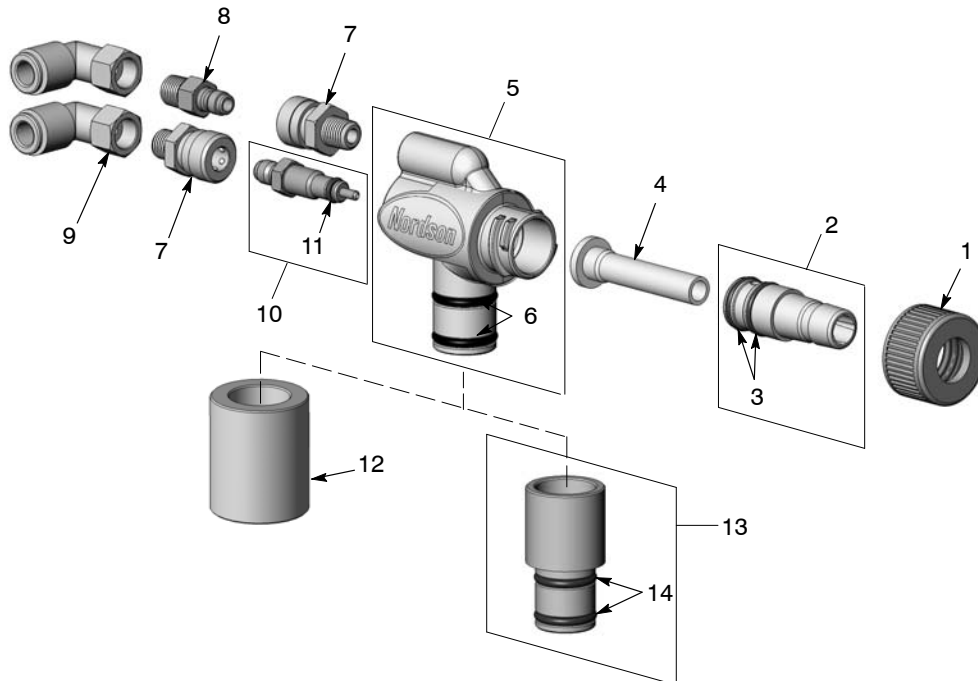


Figure 7-1 Pump Generation I Parts

Encore Generation II Corona Pump

See Figure 7-2. For complete parts lists refer to manual 1095927.

Item	Part	Description	Note
–	1095922	Pump, powder feed, corona, generation II	
1	1095914	• Nut, pump	
2	1095898	• Holder, pump throat	
3	940147	• O-ring, silicone, 0.50 x 0.625 x 0.063 in.	
4	1095899	• Throat, Tivar	
4	1095910	• Throat, PTFE, virgin	
5	1095913	• Body, pump	
6	1095885	• O-ring, –113, silicone, conductive, duro 70	
7	241041	• Coupling, quick disconnect, socket end	
8	241042	• Coupling, quick disconnect, nipple end	
9	1096081	• Connector, female, elbow, $\frac{5}{16}$ (8mm) T x $\frac{1}{8}$ NPT, no seal	
10	1600595	• Nozzle, pump, air flow	
11	940084	• O-ring, 0.188 x 0.312 x 0.063	
NS	1088590	• O-ring, silicone, conductive, 0.627 x 0.080 in.	A

NOTE A: These O-rings replace item 6 O-rings when the pump is used in a European designed lance assembly.

NS: Not Shown

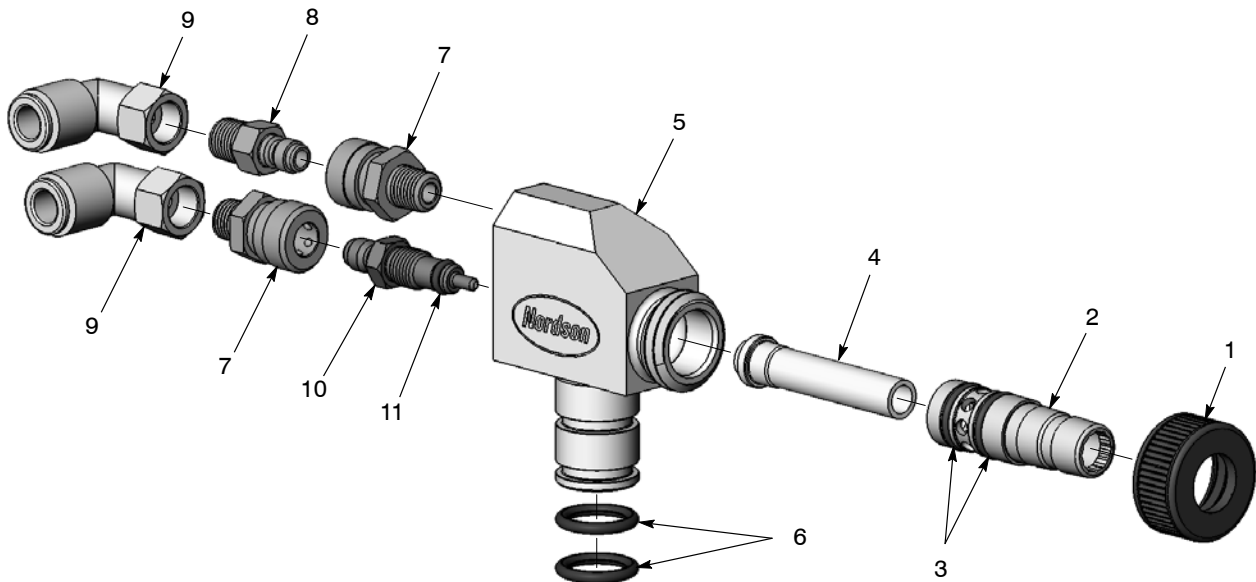


Figure 7-2 Corona Pump Parts

Encore Inline Powder Pump

See Figure 6-3. For complete parts lists refer to manual 1095928.

Item	Part	Description	Quantity	Note
—	1095926	PUMP assembly, inline, Encore, packaged	1	
1	1095914	• NUT, pump Encore Generation II	1	
2	1095898	• HOLDER, pump throat, Encore Generation II	1	
3	940147	• O-RING, silicone, conductive, 0.489 ID x 0.070 in. wide	5	
4	1095899	• THROAT, pump, Encore Generation II, Tivar	1	
5	1095915	• BODY, inline pump, Encore	1	
6	344252	• VALVE, check, M8 tube x R 1/8 in., M, output	2	
7	1600594	• INJECTOR, machined, inline pump, Encore	1	
8	1095916	• ADAPTER, injector, inline pump, Encore	1	
9	1088590	• O-RING, silicone, conductive, 0.627 ID x 0.080 in. wide	2	

Options

Item	Part	Description	Quantity	Note
4	1095910	THROAT, pump, Encore Generation II, PTFE	1	
10	152999	WRENCH	1	
11	1097913	TOOL, extraction, inline pump, Encore	1	

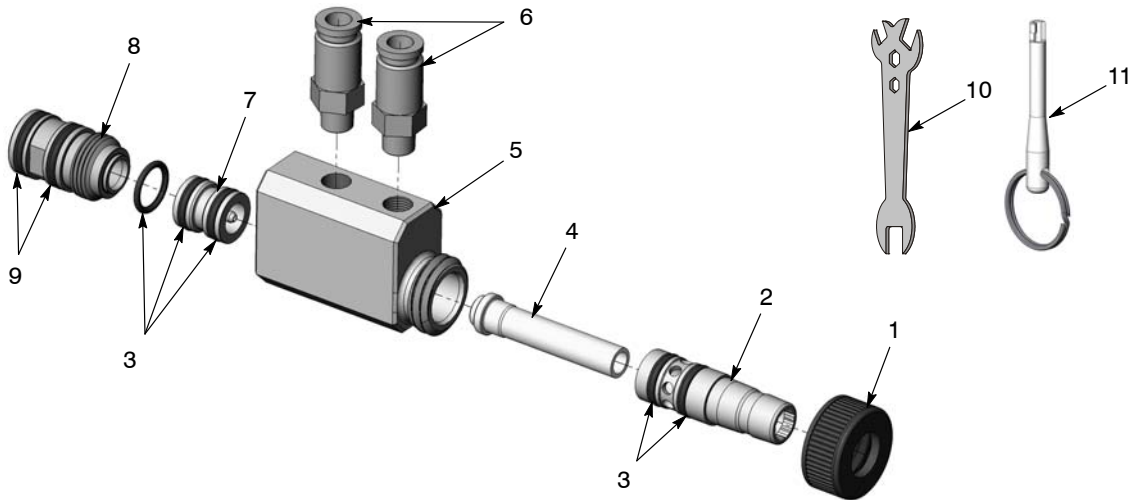


Figure 7-3 Encore Inline Powder Pump Parts

Encore Porcelain Enamel Powder Pump

See Figure 6-4. For complete parts lists refer to manual 1602273.

Item	Part	Description	Quantity	Note
—	1602268	PUMP assembly, 90°, Encore PE	—	
1	1602252	• NUT, tube, 3/4 diameter	1	
2	1602253	• SLEEVE, tube, 3/4 diameter	1	
3	942101	• O-RING, silicone, 0.75 x 1.00 x 0.125 in.	1	
4	107230	• TUBE, 0.50 x 0.75 x 4, ceramic	1	
5	1602251	• HOLDER, throat, housing, 90°, Encore PE	1	
6	940147	• O-RING, conductive silicone, 0.50 x 0.625 x 0.063 in.	2	A
7	941113	• O-RING, silicone, 0.438 x 0.625 x 0.094 in.	1	
8	1602250	• THROAT, venturi, ceramic, 90°, Encore PE	1	
9	941145	• O-RING, silicone, conductive, 0.625 x 0.812 in.	2	A
10	1602255	• ADAPTER, inlet, 90°, Encore PE	1	
11	1602249	• CUP, ceramic, 90°, Encore PE	1	
12	1602266	• O-RING, silicone, 0.296 x 0.574 x 0.139 in.	1	
13	973466	• PLUG, pipe, socket, flush, 1/16 in., zinc	1	
14	1602248	• HOUSING, 90°, Encore PE	1	
15	1602254	• NOZZLE assembly, 90°, Encore PE	1	
16	940093	• • O-RING, silicone, 0.208 ID x 0.07 W	1	
17	241041	• COUPLING, quick disconnect, socket end	2	
18	241042	• COUPLING, quick disconnect, nipple end	1	
19	1096081	• CONNECTOR, female, elbow, 8 mm tube x 1/8 RPT	2	

NOTE A: Do not replace conductive silicone O-rings with non-conductive O-rings.

Optional Tools

Item	Part	Description	Quantity	Note
20	152999	Wrench		
NS	1602256	Wrench, flare nut, 15/16 in., 12-point		
NS: Not Shown				

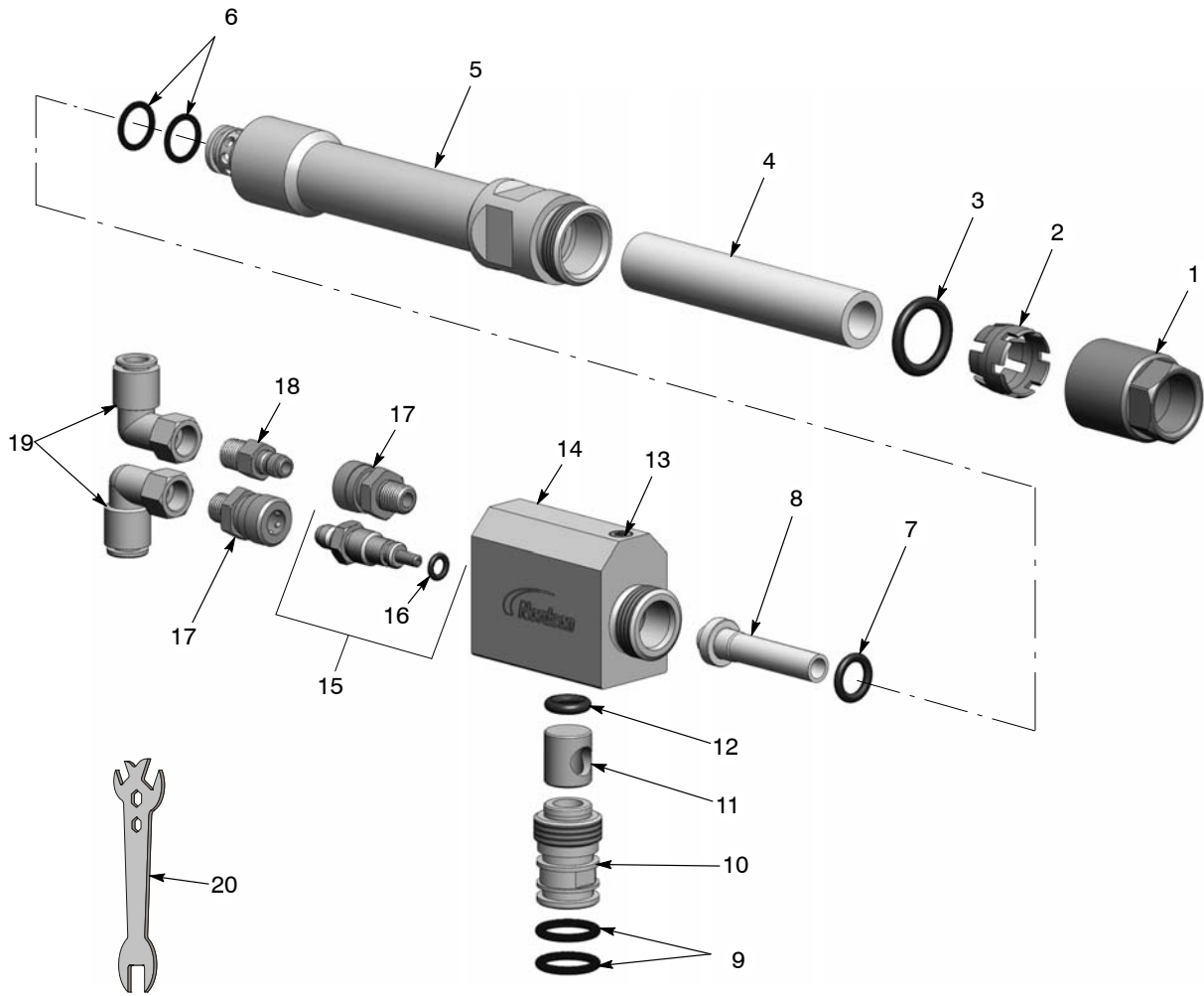


Figure 7-4 Pump Parts

24-inch Pickup Tube Parts

See Figure 6-5.

Item	Part	Description	Quantity	Note
-	1602269	MOUNT assembly, pump, 24 in.		
1	1602261	• MOUNT, pump	1	
2	942161	• O-RING, silicone, 1.125 x 1.275 x 0.125 in.	1	
3	939613	• NUT, lock, conduit, 3/4 in. NPS	1	
4	309477	• TUBE, pickup, 0.490 ID x 24 in., 3/8 in. NPS	1	

18-inch Pickup Tube Parts

See Figure 7-5.

Item	Part	Description	Quantity	Note
-	1602284	MOUNT assembly, pump, 18 in.		
1	1602261	• MOUNT, pump	1	
2	942161	• O-RING, silicone, 1.125 x 1.275 x 0.125 in.	1	
3	939613	• NUT, lock, conduit, 3/4 in. NPS	1	
4	309474	• TUBE, pickup, 0.490 ID x 18 in., 3/8 in. NPS	1	

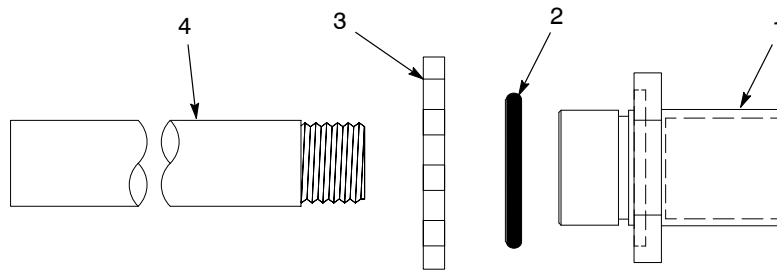


Figure 7-5 Pickup Tube Parts

Optional Equipment

Part	Description	Note
900619	TUBING, polyurethane, 8 mm OD, black	A
900618	TUBING, polyurethane, 8 mm OD, blue	B
900724	TUBING, 0.50 in. ID, clear	C
NOTE A: Flow-rate air tubing. Minimum order quantity is 50 ft. B: Atomizing air tubing. Minimum order quantity is 50 ft. C: Powder hose. Minimum order quantity is 25 ft.		

Prodigy®

Prodigy Generation II HDLV® Gun Pump

See Figure 7-6. For a complete parts list refer to manual 1081195.

Item	Part	Description	Note
—	1081194	Pump assembly, HDLV	
1	971102	• Connector, male, 10 mm tube x $\frac{3}{8}$ in. unithread	
2	-----	• Check valve assembly	A
3	941113	• O-ring	
4	-----	• Plug, fluidizing tube access	A
5	940142	• O-ring, silicone	
6	940137	• O-ring, silicone	
7	-----	• Tube, fluidizing	A
8	1605631	• Gasket, face	
9	1605630	• Gasket	A
10	-----	• Manifold, upper Y	A
11	1053292	• O-ring, silicone	
12	1080148	• Body, pinch valve	A
13	-----	• Valve, pinch	A
14	-----	• Block, wear, lower manifold	A
15	-----	• Body, lower manifold	
16	945115	• O-ring, Viton	A
17	1062070	• Nut, wear block tube retaining	
18	982085	• Screw, socket	
19	983401	• Washer, lock, M, split, M5	
20	983035	• Washer, flat, M, regular, 5	
21	-----	• Disc, filter, Prodigy	A
22	-----	• Manifold, top	
23	1053293	• Screw, socket, M5 x 100	
NS	982802	• Screw, socket, M5 x 70	
NS	-----	• Washer, flat, regular, M5, steel, zinc	B
NS	-----	• Washer, lock, split, M5, steel, zinc	B
24	1078006	Adapter, tube, barb	C

NOTE A: These parts are available in service kits listed on page 7-10.

B: Use these fasteners to secure the pump to the pump control panel.

C: Not included with pump. Order separately.

NS: Not Shown

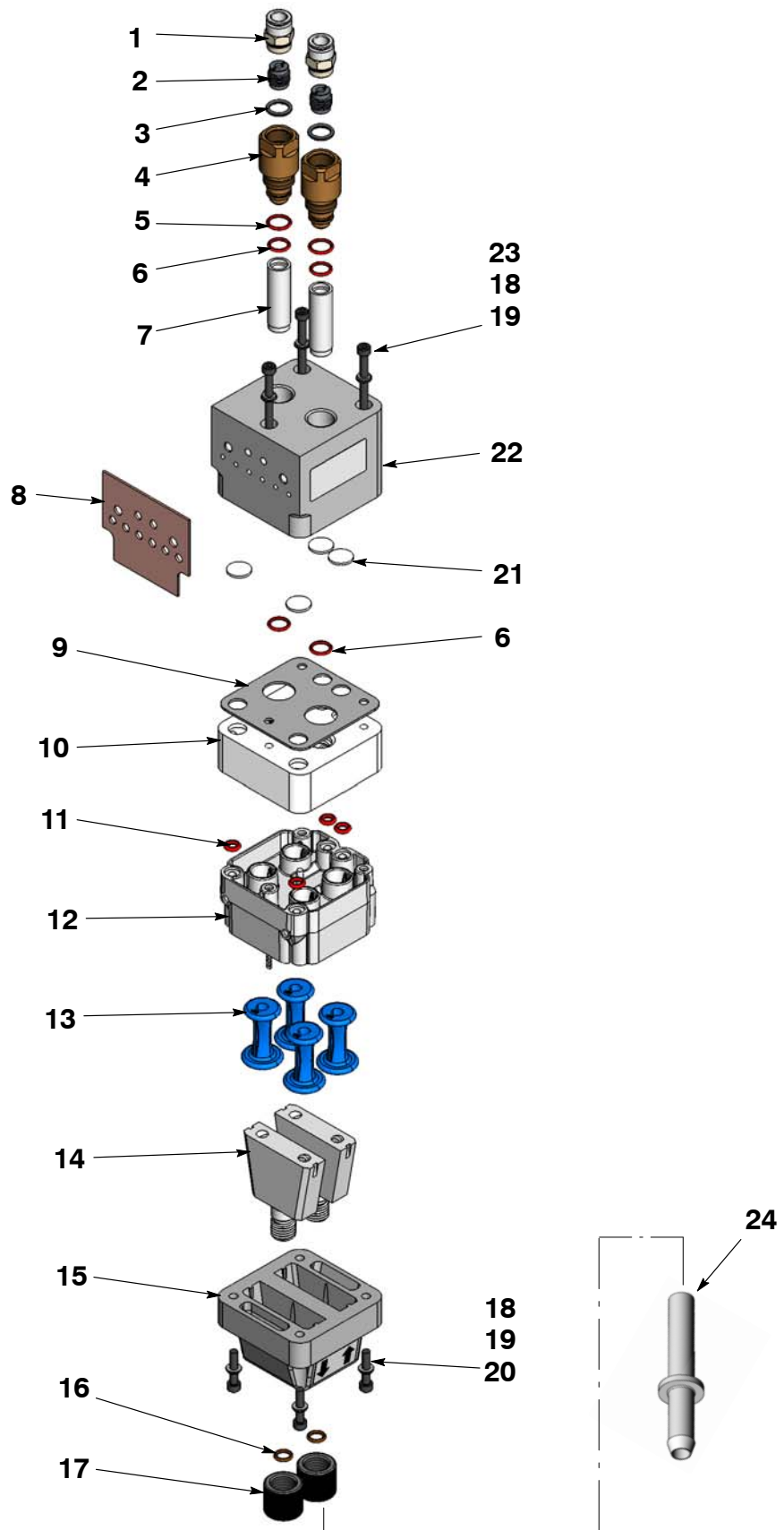


Figure 7-6 Generation II HDLV Pump Parts

Prodigy Generation II HDLV Gun Pump – Spare Parts

See Figure 7-6. Keep one of each of these assemblies in stock for each pump in your system.

Item	Part	Description	Note
—	1081221	Pinch Valve kit	
—	1097918	Pinch Valve kit, for food contact	
13	-----	• Valve, pinch, HDLV pump (qty 8)	
21	-----	• Disc, filter, Prodigy HDLV pump (qty 8)	
—		• Insertion tool (qty 1)	
—	1057258	Fluidizing tube kit	
6	940137	• O-ring, silicone (qty 4)	
7	-----	• Tube, fluidizing, HDLV pump (qty 4)	
2	1078161	Check valve service kit (includes two valves)	
—	1078151	Check Valve Upgrade Kit	
1	971102	• Connector, male, 10 mm tube x $\frac{3}{8}$ in. unithread	
2	-----	• Check valve assembly, pump, Prodigy	
3	941113	• O-ring, silicone, 0.438 x 0.625 x 0.094 in.	
4	-----	• Plug, fluidizing tube access, HDLV pump	
5	940142	• O-ring, silicone, 0.50 x 0.625 x 0.063 in.	
6	940137	• O-ring, silicone, 0.437 x 0.562 x 0.063 in.	
—	1057260	Lower manifold wear block kit	
14	-----	• Block, wear, lower manifold, HDLV pump (qty 2)	
15	945115	• O-ring, Viton, 8.00 x 2.00 (qty 2)	
—	1057262	Upper Y Manifold Kit	
9	1605630	• Gasket, HDLV pump	
10	-----	• Manifold, upper Y, HDLV pump	
24	1078006	Barbed tubing adapter	A
—	1062348	Pump adapter kit	B
—	1081976	Pinch Valve Body Upgrade Kit	
11	1053292	• O-ring silicone, 0.219 x 0.406 x 0.094 in.	
12	1080148	• Body, pinch valve, HDLV pump	
13	-----	• Valve, pinch, HDLV pump	
—	1093596	Hi-flow fluidizing tubes, retrofit kit	C
—	1093557	Hi-flow fluidizing tubes, replacement kit	D

NOTE A: Use with flexible tubing. Installs in tubing nut.

B: Use to connect 8-mm suction tubing to feed hopper pump mounts.

C: Converts pump to hi-flow.

D: Must have retrofit kit installed to use.

Wall Mount Ship with Kit

Part	Description	Note
1080507	Kit, ship with, Prodigy II, wall mount	

Prodigy High-Capacity HDLV Pump

See Figure 7-7. For a complete parts list refer to manual 1092270.

Item	Part	Description	Note
—	1092240	Pump assembly, high capacity HDLV, packaged	
1	971102	Connector, male, 10 mm tube x $\frac{3}{8}$ unithread	A
2	-----	Check valve assembly, pump	A, B
3	-----	Plug, fluidizing tube, high capacity	A
4	972141	Connector, male, 6 mm tube x $\frac{1}{8}$ universal	
5	-----	Tube, outer fluid assembly, high capacity	
6	941143	O-ring, silicone	
7	-----	Disc, filter, Prodigy	C
8	-----	Tube, fluidizing, high capacity	C
9	1057269	Kit, upper Y manifold, high capacity	
10	-----	Valve, pinch, high capacity	C, D
11	1090737	Body, pinch valve, high capacity	
12	1053976	Body, lower Y, high capacity	
13	1054518	Screw, socket, M6 x 120	
14	1051108	Connector, male, 16 mm tube x $\frac{1}{2}$ universal	
15	1053292	O-ring, silicone	
16	941231	O-ring, silicone	
17	941153	O-ring, silicone	A, C
18	941215	O-ring, silicone	A
19	941113	O-ring, silicone	A

NOTE A: To upgrade older pumps to the new style check valves pictured in Figure 7-7, order the Check Valve Upgrade Kit 1080160. Noted parts are included in the kit.

B: To replace both check valves, order the Check Valve Upgrade Kit 1080160 (includes 2 connectors, 2 check valves, 2 plugs, and 6 O-rings) or Check Valve Service Kit 1078161, (includes two check valves).

C: These parts are available in service kits listed on page 7-13.

D: To replace standard blue pinch valves with non-conductive black pinch valves, order kit 1092273.

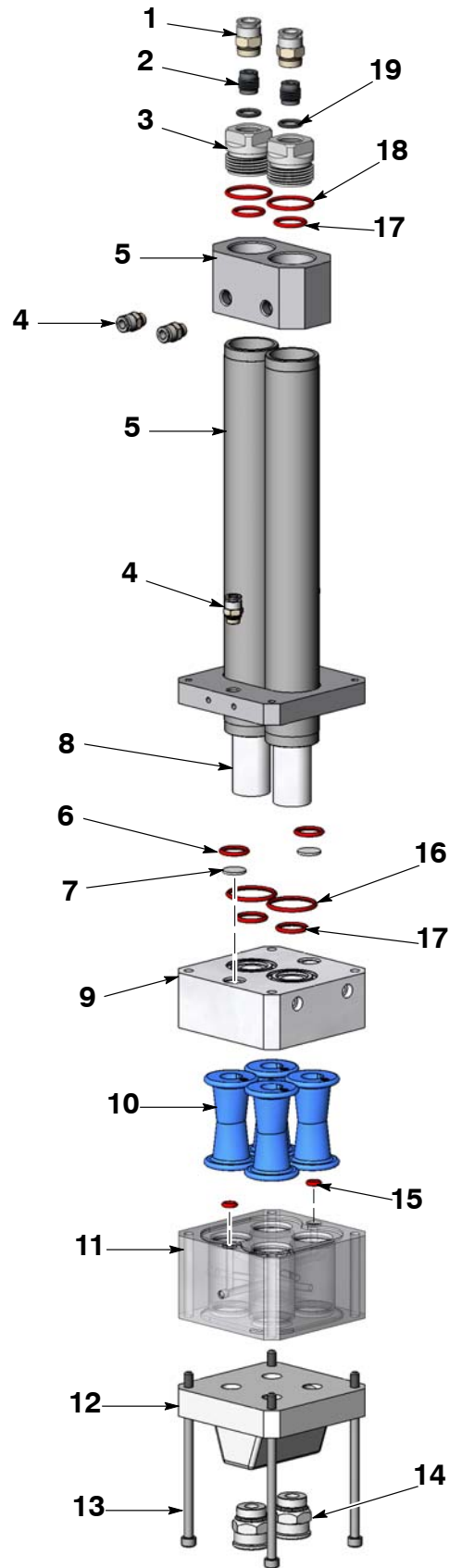


Figure 7-7 High-Capacity HDLV Pump Parts

Prodigy High-Capacity HDLV Pump – Spare Parts

See Figure 7-7.

Item	Part	Description	Note
—	1092272	Pinch Valve kit, blue	A
10	-----	• Valve, pinch, high capacity (qty 4)	
7	-----	• Disc, filter, Prodigy HDLV (qty 2)	
—	-----	• O-ring (qty 2)	
—	-----	• Insertion tool	
—	1092273	Non-Conductive Pinch Valve, black	
10	-----	• Valve pinch (qty 4)	
7	-----	• Disc filter (qty 2)	
—	-----	• O-ring (qty 2)	
—	1057266	Fluidizing tube kit	B
6	-----	• Tube, fluidizing, high capacity (qty 2)	
—	-----	• O-ring (qty 4)	
9	1057269	Upper Y manifold kit	C
—	-----	• Upper Y manifold, high capacity	
—	-----	• O-RING, silicone (qty 2)	
12	1053976	Lower Y body	
2	1078161	Check valve service kit (qty 2)	
—	1080160	Kit, upgrade, check valve, hi-capacity, HDLV	
1	971102	• Connector, male, 10 mm tube x $\frac{3}{8}$ unithread	
2	-----	• Check valve assembly, pump	
3	-----	• Plug, fluidizing tube, high capacity	
17	941153	• O-ring, silicone	
18	941215	• O-ring, silicone	
19	941113	• O-ring, silicone	
—	1054592	Timing Valve	
—	1054519	Miniature Valve	
NOTE A: Kit includes 4 pinch valves, 1 insertion tool, and 2 filter discs			
B: Kit includes 2 tubes and 4 O-rings			
C: Kit includes 1 manifold and 2 O-rings			

Pneumatic Assembly Left Side

See Figure 7-8. For a complete parts list refer to manual 1092270.

Item	Part	Description	Note
1	1054519	Valve, miniature, double air piloted, 5 port	
2	1018157	Regulator assembly, 0–25 psi, 0–1.7 bar, vertical	

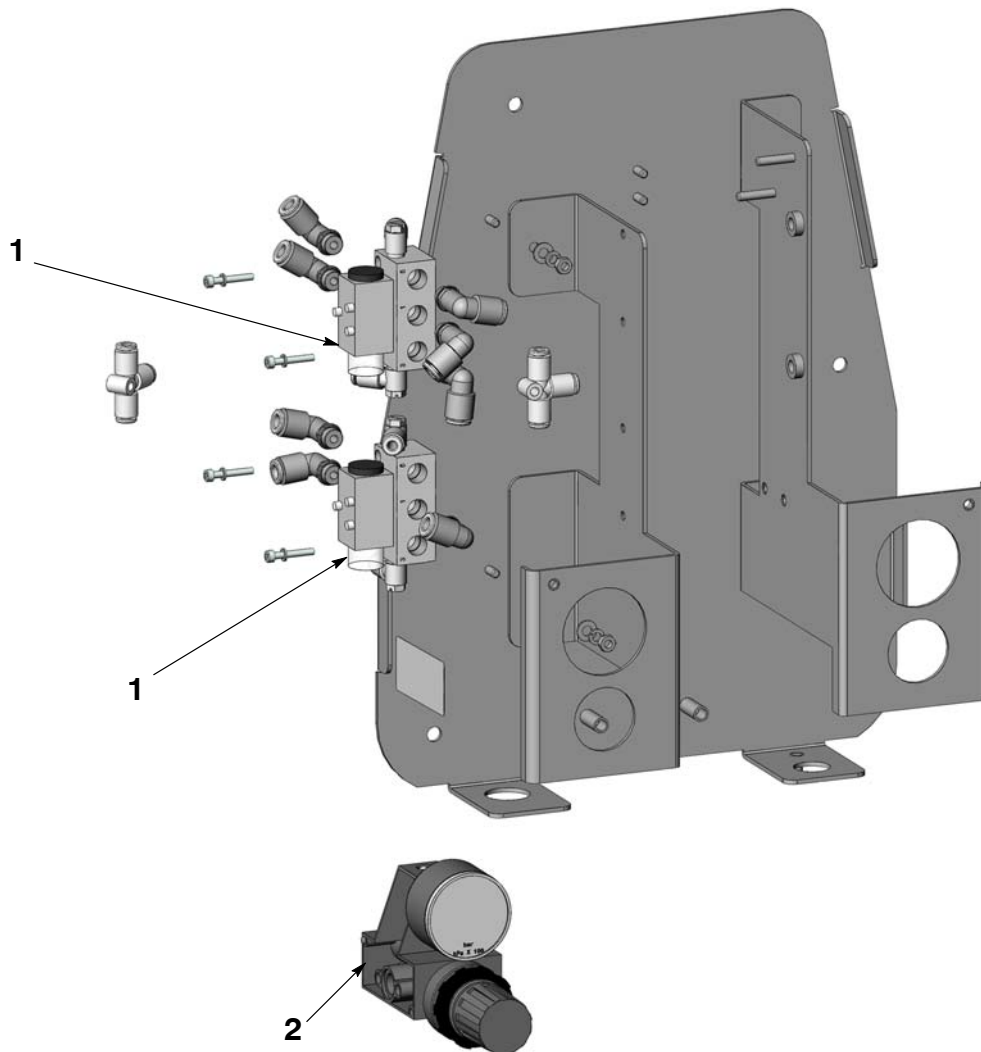


Figure 7-8 Prodigy High-Capacity HDLV Pump Pneumatic Assembly — Left Side

Pneumatic Assembly Right Side

See Figure 7-9. For a complete parts list refer to manual 1092270.

Item	Part	Description	Note
1	1034396	Muffler, exhaust, PE, 0.656 x 1.5 x 1/4 NPT	
2	1052920	Pump, vacuum generator	
3	288821	Regulator assembly, 0–60 psi, 0–4 bar	

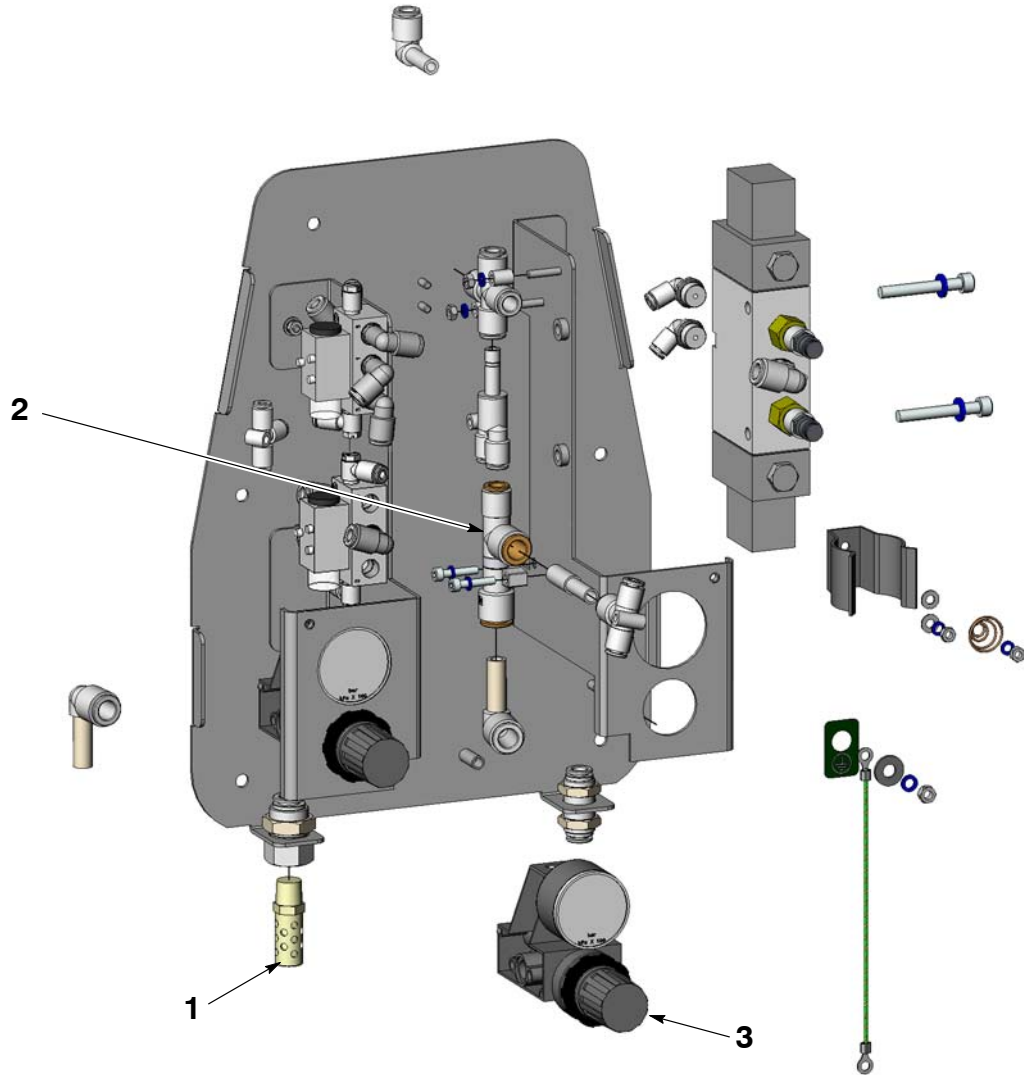


Figure 7-9 Prodigy High-Capacity HDLV Pump Pneumatic Assembly — Right Side

Prodigy High-Capacity HDLV Powder and Air Tubing

Part	Description	Min Order Qty (ft)
900742	Polyurethane, 6-mm OD, blue	50
900617	Polyurethane, 4-mm OD, clear	50
900618	Polyurethane, 8-mm OD, blue	50
900740	Polyurethane, 10-mm OD, black	50
1063654	Polyethylene 16-mm OD, clear	
900619	Polyurethane, 8-mm OD, black	50
1034396	Muffler, exhaust, PE, 0.656 x 1.5 x 1/4 NPT	N/A
1005068	Union, female bulkhead, 10 mm tube x 1/4 RPT	N/A
1052893	Elbow, plug in, 10 mm tube x 10 mm stem, plastic	N/A
982517	Screw, socket, M4 x 20, zinc	N/A

HDLV High-Capacity Pump Pickup Tube Adapters

See Figure 7-10. The pickup tube adapter assembly easily adapts the high-capacity HDLV pump suction tubing to a venturi pump pickup tube. The adapter is available for pickup tubes with or without an external O-ring.

With Pump Mount and O-Ring

Use with pickup tubes that do not have an external pump mount O-ring.

Item	Part	Description	Note
—	1068408	Disconnecter, high-capacity HDLV pump,with pump mount O-ring	
1	1068402	• Nut, tube retaining, high-capacity HDLV pump	
2	941143	• O-ring, silicone	
3	1068379	• Mount, pump adapter, with O-ring gland	
4	942143	• O-ring, silicone	

Without Pump Mount O-ring

Use with pickup tubes that have an external pump mount O-ring.

Item	Part	Description	Note
—	1068409	Disconnecter, high-capacity HDLV pump,without pump mount O-ring	
1	1068402	• Nut, tube retaining, high-capacity HDLV pump	
2	941143	• O-ring, silicone	
3	1068400	• Mount, pump adapter, without O-ring gland	

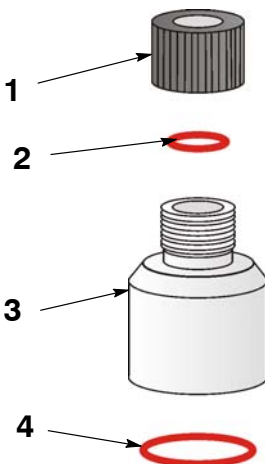


Figure 7-10 Pickup Tube Adapter Parts

Prodigy Automatic HDLV Pump Panel

See Figure 7-11. For a complete parts list refer to manual 1102110.

Item	Part	Description	Note
1	1092274	Kit, PCA replacement, Prodigy pump control	
—	1101437	Controller, 4 pump, Prodigy, Generation III	
—	1101436	Controller, 6 pump, Prodigy, Generation III	
—	1101435	Controller, 8 pump, Prodigy, Generation III	

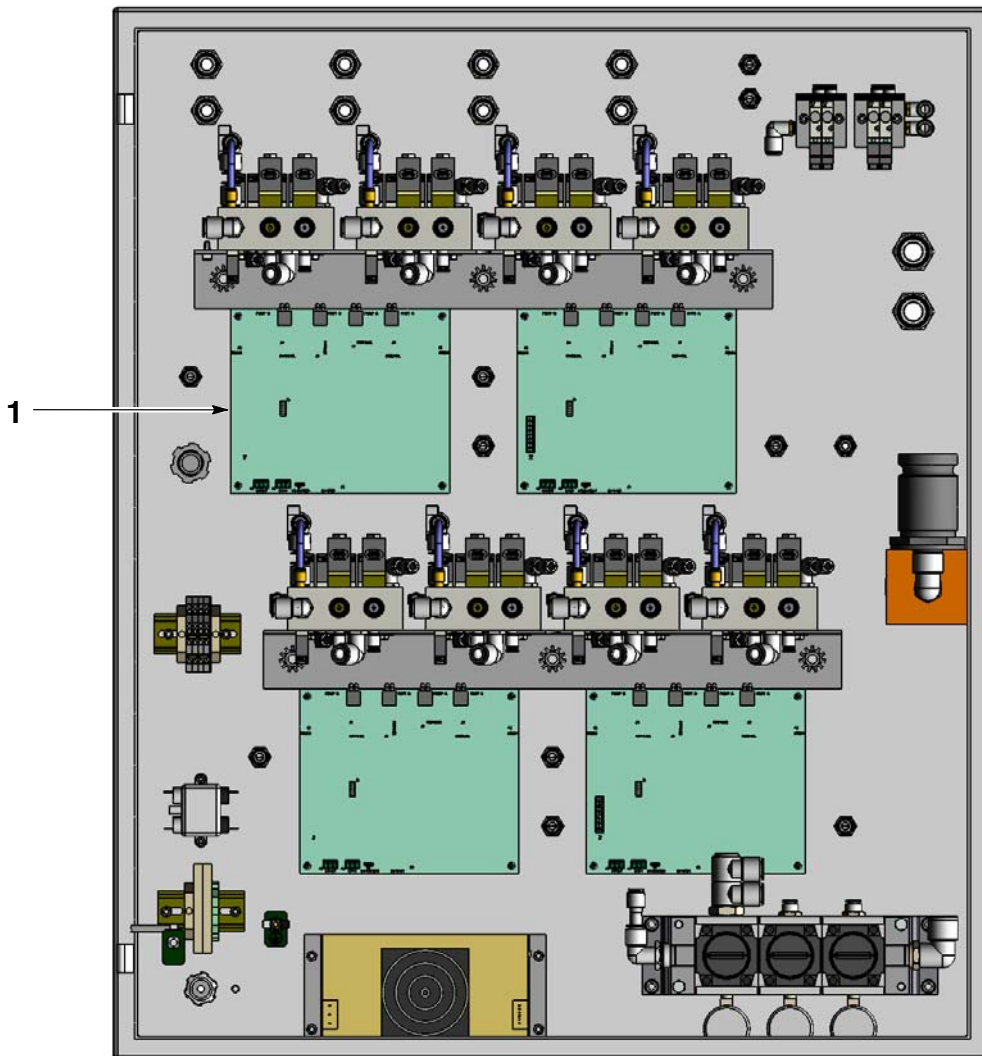


Figure 7-11 Internal Pump Panel Replacement Parts (Eight-Pump Panel Shown)

Powder Transfer Pumps

See Figure 7-12. For complete parts lists refer to manual 108117.

244721 Pump: Fits 1-in. diameter dip legs. Used on older collector modules and 55 gallon drum truck bulk unloaders.

165633 Pump: Fits standard pump mount and pickup tube assemblies listed on page 7-20. Used on dolly mounted box feeders and some collector modules.

Item	Part	Description	Note
—	244721	Pump, transfer, 0.75 in. outlet (old style)	
—	165633	Pump, transfer, 10 mm in, 19 mm out (new style)	
1	244643	Air nozzle	
2	942106	O-ring, conductive	
3	307439	Kit, throat w/holder	
4	307437	• Tivar throat w/O-rings	
5	940142	• • O-ring,	
6	942106	• O-rings, conductive	
7	307435	• Holder, throat	
8	118832	• Wear sleeve	
9	942146	O-ring, conductive	A
10	972125	Elbow, 10-mm tube	
10	972192	Elbow, 1/2-in. tube	A
NS	226713	Throat, Tivar	A
NS	244642	Throat, PTFE	A

NOTE A: Use with pump 244721 only.
NS: Not Shown

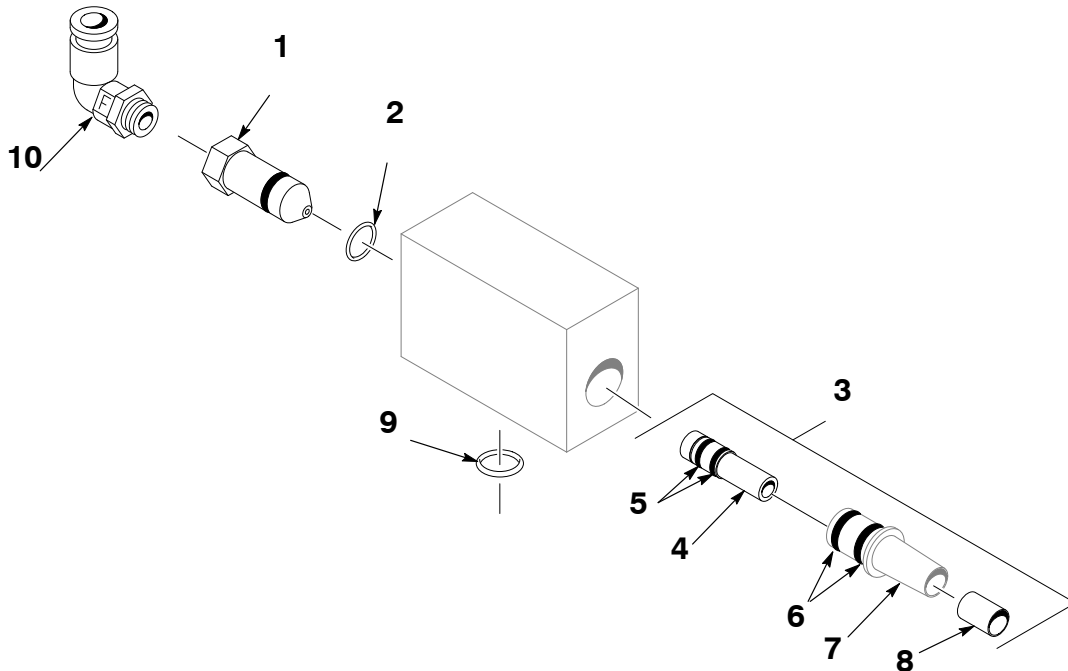


Figure 7-12 Powder Transfer Pumps

Pump Mounts and Pickup Tubes (Venturi)

NOTE: See Encore HD section for HDLV pickup tube parts.

See Figure 7-13.

Item	Part	Description	Note
2	939613	Conduit locknut	
3	941185	O-rings, conductive	
4A	152227	Pump adapter for 0.360 ID pickup tubes	
4A	309471	Pump adapter for 0.490 ID pickup tubes	
4B	1085679	Pump adapter, Encore	
5	941145	O-rings, conductive	
6	983055	Washer	
7	164063	Pump mount	
8	See page 7-21	Pick-up tube	
10	114225	Pump mount	
11	941185	O-rings, conductive	
12	942161	O-ring	
13	142382	Ground nut	
14	See page 7-21	Pick-up tube	
15	939613	Locknut	

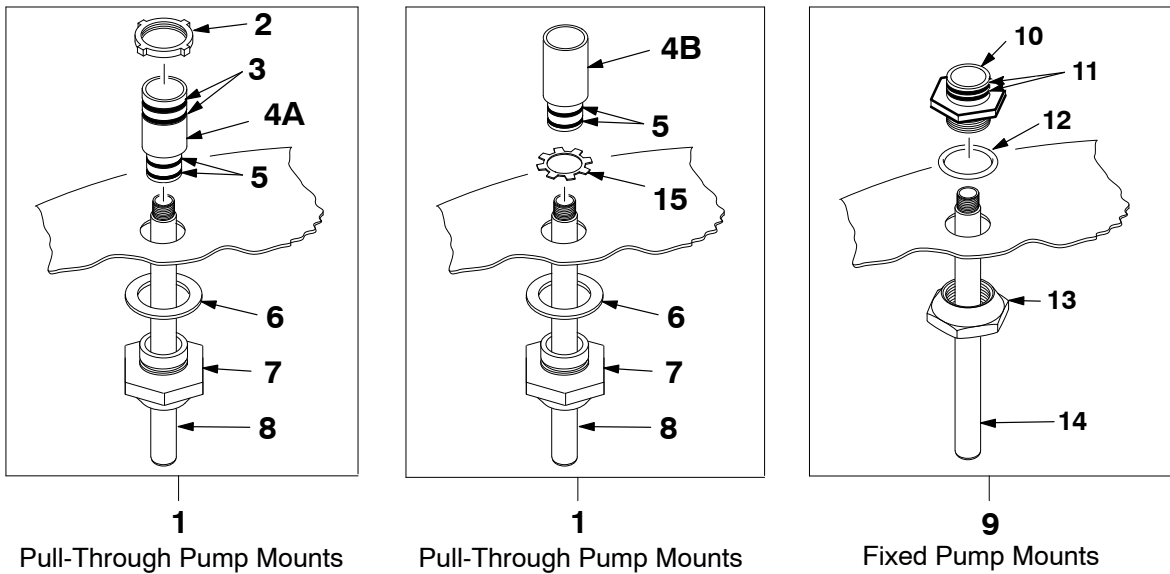


Figure 7-13 Pump Mounts and Pickup Tubes

Assemblies

Item	Part	Description	Note
Pull-Through Pump Mounts with 0.360 in. ID Pickup Tubes			
1	1105689	Encore Pump mount w/18 in. pickup tube	F
7	164063	• Pump mount	
8	164065	• Pickup tube	
1	163555	Pump mount w/18 in. pickup tube	A
8	164065	• Pickup tube	
1	163556	Pump mount w/24 in. pickup tube	B
8	152223	• Pickup tube	
1	169189	Pump mount w/ 8 in. pickup tube	C, D
8	169090	• Pickup tube	
1	1074868	Pump mount w/ 10 in. Pickup tube	E
8	1071366	• Pickup tube	
Pull-Through Pump Mounts with 0.490 in. ID Pickup Tubes			
1	309473	Pump mount w/ 6 in. pickup tube	D
8	309472	• Pickup tube	
1	309476	Pump mount w/18 in. pickup tube	A
8	309474	• Pickup tube	
1	309479	Pump mount w/ 24 in. pickup tube	B
8	309477	• Pickup tube	
Fixed Pump Mounts with 0.490 ID Pickup Tubes			
9	180777	Fixed pump mount w/18 in. pickup tube	A
14	180778	• Pickup tube	
9	224721	Fixed pump mount w/ 24 in. pickup tube	B
14	224722	• Pickup tube	
<p>NOTE A: Use with 50-lb hoppers. B: Use with 80-lb. and 150-lb hoppers. C: Use with HR-1-4 mini hoppers. D: Use with collector modules with transfer pump 165633. E: Use with 25-lb. hoppers. F: Use with 50 lb. hoppers.</p>			

Section 8

iControl® Integrated Control Systems

NOTE: For complete parts lists refer to individual component manuals:

1105779 iControl Standard Console Hardware Manual
 1603638 Encore iControl 2 Integrated Control System
 1603054 Encore HD iControl System Hardware Manual

NOTE: The current iControl software version is 3.8.2. Contact your Customer Support Center for information on software upgrades.

NOTE: iControl Standard supports Tribomatic, Sure Coat, and Versa-Spray.

iControl Standard Console	8-2
Consoles	8-2
Console Parts	8-3
Control Relays and Fuses	8-11
Flow Module Parts	8-12
Options	8-13
Adapter Cables for Versa-Spray® and Tribomatic® Spray Guns	8-13
CAN Cable	8-13
Junction Boxes, Extension Boxes, and Control Panels ...	8-13
Ethernet Components	8-13
Nozzle Purge Kits	8-14
Miscellaneous Kits	8-14
Recommended Air Filter for Use with iControl Systems ..	8-14
Conveyor Encoder	8-14
Photocells and Scanners	8-15
Photocell and Scanner Cables	8-15
Software Replacement Kits	8-16
Encore iControl 2 Integrated Control System	8-17
iControl 2 Controllers and Interconnect Cables	8-17
Main/Auxiliary Console Parts	8-18
Pedestal Parts	8-24
iFlow Module Parts	8-26
Options	8-27
Miscellaneous Kits	8-27
Conveyor Encoder	8-27
Photocells and Scanners	8-27
Photocell and Scanner Cables	8-28
Encore HD iControl System for Automatic Guns	8-29
Consoles	8-29
Console Parts	8-30

iControl Standard Console

NOTE: iControl Standard supports Tribomatic, Sure Coat, and Versa-Spray.

Parts numbers listed for reference only. For a complete parts list refer to manual 1105779.

Consoles

Description	Note
Main Consoles	
Controller, iControl, 4 gun, w/cpu	
Controller, iControl, 4 gun, w/cpu, w/ac	
Controller, iControl, 6 gun, w/cpu	
Controller, iControl, 6 gun, w/cpu, w/ac	
Controller, iControl, 8 gun, w/cpu	
Controller, iControl, 8 gun, w/cpu, w/ac	
Controller, iControl, 10 gun, w/cpu	
Controller, iControl, 10 gun, w/cpu, w/ac	
Controller, iControl, 12 gun, w/cpu	
Controller, iControl, 12 gun, w/cpu, w/ac	
Controller, iControl, 14 gun, w/cpu	
Controller, iControl, 14 gun, w/cpu, w/ac	
Controller, iControl, 16 gun, w/cpu	
Controller, iControl, 16 gun, w/cpu, w/ac	
Auxiliary Consoles	
Controller, iControl, 4 gun, w/o cpu	
Controller, iControl, 4 gun, w/o cpu, w/ac	
Controller, iControl, 6 gun, w/o cpu	
Controller, iControl, 6 gun, w/o cpu, w/ac	
Controller, iControl, 8 gun, w/o cpu	
Controller, iControl, 8 gun, w/o cpu, w/ac	
Controller, iControl, 10 gun, w/o cpu	
Controller, iControl, 10 gun, w/o cpu, w/ac	
Controller, iControl, 12 gun, w/o cpu	
Controller, iControl, 12 gun, w/o cpu, w/ac	
Controller, iControl, 14 gun, w/o cpu	
Controller, iControl, 14 gun, w/o cpu, w/ac	
Controller, iControl, 16 gun, w/o cpu	
Controller, iControl, 16 gun, w/o cpu, w/ac	

Console Parts

Figures 8-1 through 8-8 show the replaceable parts for both master and slave consoles. Contact your Nordson representative or Nordson Customer Support for help in obtaining unlisted parts.

Refer to Section 7 for pneumatic and electrical diagrams.

See Figures 8-1 and 8-4 for the parts listed in this table:

Item	Part	Description	Quantity	Note
1	1034033	SCREW, pan head, recessed, M6 x 10, zinc	24	
2	983128	WASHER, lock, internal, M6, steel, zinc	16	
3	1036657	MODULE, digital airflow control	AR	A
4	1073381	PLATE, blank, enclosure	AR	A
5	-----	GASKET, module, digital airflow control	AR	A
6	982802	SCREW, socket, M5 x 70, black	AR	A
7	1033878	REGULATOR, rolling diaphragm, 0–120, 1/2 in.	AR	A, B
8	972240	CONNECTOR, male, elbow, 12 mm tube x 1/2 in.	AR	A
9	1034000	FITTING, 1/2 in. RPT x (4) 10 mm tube	AR	A
10	148256	PLUG, 10 mm tubing	AR	A
11	-----	WASHER, flat, M8, zinc	4	
12	-----	WASHER, lock, split, M8, zinc	4	
13	-----	SCREW, button head, socket, M8 x 12	4	
14	1023877	PCA, dual gun driver, iControl	AR	A
14A	-----	JUMPER, gun ID, odd number	AR	D
15	1031501	RECEPTACLE, 8 position, gun, 70 in.	AR	A, C
15A	1023695	SEAL, bulkhead, 7/8–16 thread	AR	C
<p>NOTE A: Quantities of noted parts depends on system configuration and console type.</p> <p>B: New regulators must be calibrated using iFlow air flow verification kit. Refer to <i>Miscellaneous Kits</i> on page 8-14.</p> <p>C: Use to cap unused receptacles. One seal is shipped with each console. See Figure 8-4.</p> <p>D: Use to prevent fault LED from lighting when odd number of guns are connected. Plug into gun card receptacle in place of receptacle harness for unused receptacle. One jumper is shipped with each console.</p> <p>AR: As Required</p>				
				<i>Continued...</i>

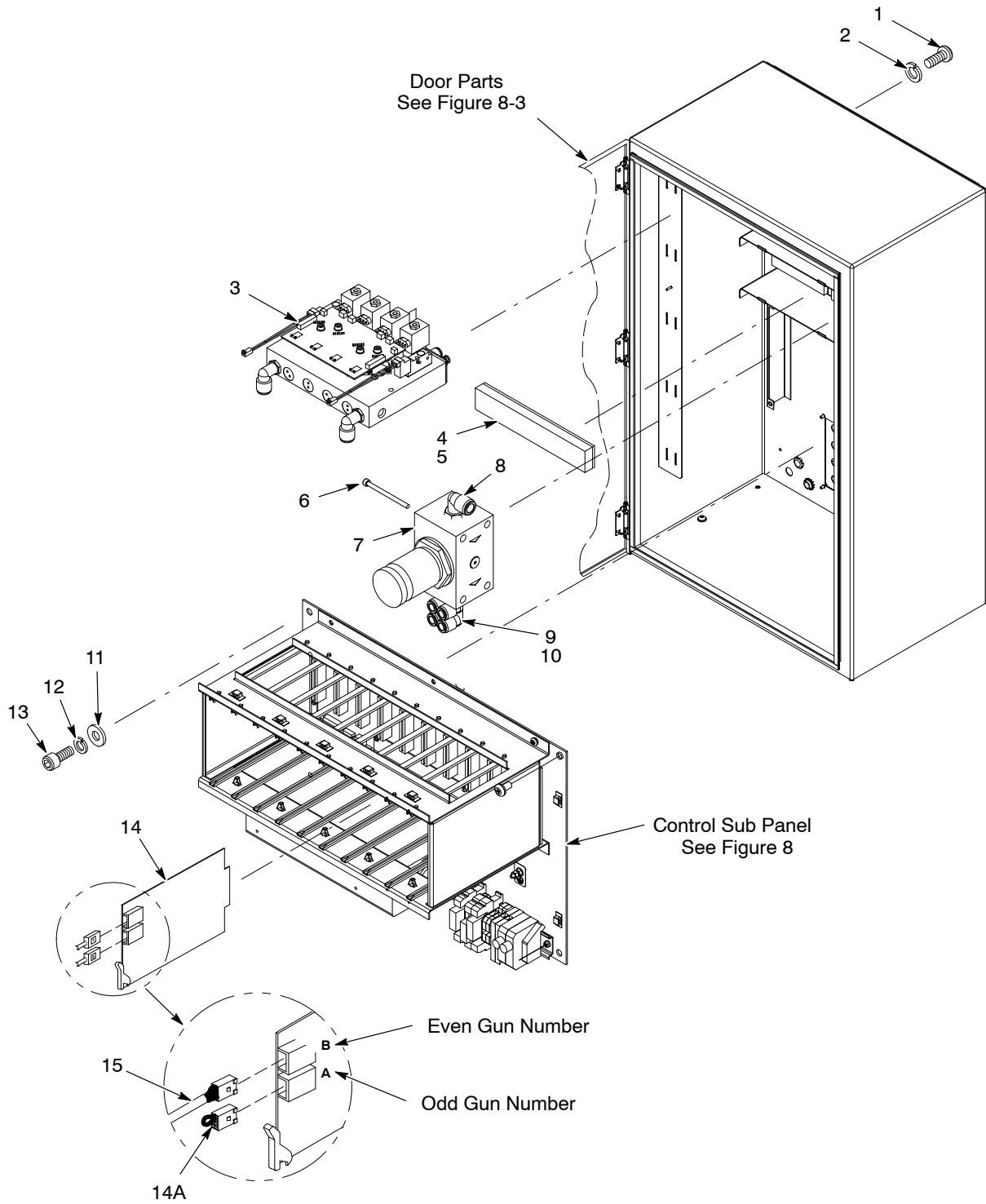


Figure 8-1 Console Parts (1 of 5)

See Figure 8-3 for the parts listed in this table:

Item	Part	Description	Quantity	Note
16	1100090	CONTROL UNIT, PC, panel mount, w/Ethernet	1	D
65	1051544	• INTERFACE CARD, PC104 CAN	1	B
66	1105343	• CARD, I/O, PC104	1	B
67	1076186	CARD, PCI Ethernet, iControl, Prodigy	1	
17	1000594	SWITCH, keylock, 3 position	1	
18	1000595	CONTACT block, 1-N.O. and 1-N.C. contact	2	
19	1036690	PANEL, keypad, iControl	1	
20	1100775	MODULE, 24 channel opto-isolated digital input	1	E
21	1107146	JUMPER, comb-style, 12 pole, 10 mm spacing	AR	A, C
63	-----	• CABLE, IDE, 80 conductor	1	
23	1034281	MEMORY, CompactFlash	1	
24	1034283	MEMORY, programmed, iControl	1	
25	240674	TAG, ground	AR	C
26	983401	WASHER, lock, split, M5, steel, zinc	AR	C
27	984702	NUT, hex, M5, brass	AR	C
28	288806	CONTACT BLOCK, 2 N.O. contacts	1	
29	334806	SWITCH, round, 2 position, 90 degree	1	
63	1107147	CABLE, ribbon, 20-in, iconcontrol	1	
NS	1055881	CABLE, CAT5 Ethernet, T568B colors, 30 ft	1	

NOTE A: Jumpers may need to be trimmed to fit into the terminals.

B: Included with control unit.

C: Quantities of noted parts depends on system configuration and console type.

D: See Figure 8-2. When replacing an obsoleted PC with a new PC, order kit 1107109. When replacing a new new PC, order 1100090 for a direct replacement. (Refer to the *Repair* section for PC replacement.)

E: When replacing an obsoleted module (Ax754), order kit 1107140. When replacing a new module (PCLD-782B), order 1100775 for a direct replacement.

AR: As Required

NS: Not Shown

Continued...



Figure 8-2 Obsolete and New iControl PC

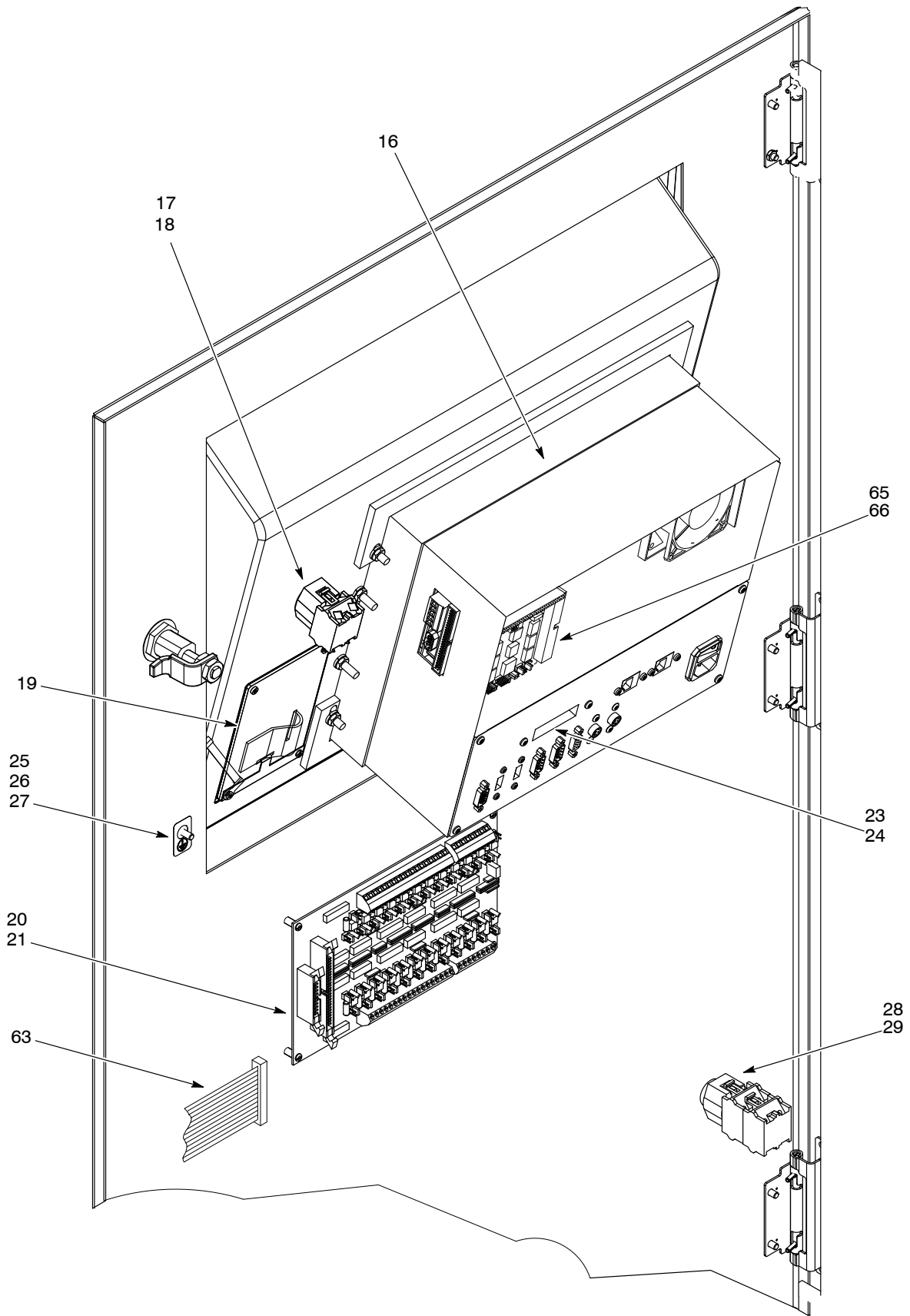


Figure 8-3 Console Parts (2 of 5)

See Figure 8-4 for the parts listed in this table:

Item	Part	Description	Quantity	Note
30	183418	PLUG, 12 mm, tube	AR	A
31	971106	CONNECTOR, male, 12 mm tube x 1/2 in. unithread	AR	A
32	-----	GASKET, manifold, iControl	1	
33	973442	PLUG, pipe, socket, flush, 3/4 in. NPT, zinc	1	
34	984526	NUT, lock, 1/2 in. conduit	AR	A
35	334800	PLUG, 1/2 in. pipe, 1 in. hex	AR	A
36	939122	SEAL, conduit fitting, 1/2 in.	AR	A
37	241040	MUFFLER, air, 1/8 in. NPT	1	
38	344252	VALVE, check, M8T x R18, M output	1	
39	972105	CONNECTOR, male, 37, 1 1/16-12 x 3/4 in., steel	1	
40	973227	ELBOW, 3/4 in. malleable, galvanized	1	
41	324343	CONNECTOR, conduit, straight, 0.50 in.	2	
42	248375	CONDUIT, flexible, bulk, 1/2 in.	AR	C
NS	-----	FITTING, liquid tight, elbow, 3/4 in., 45 degree	1	
NS	-----	CONDUIT, flexible, bulk, 3/4 in.	AR	
NS	272058	SEAL, conduit fitting, 3/4 in.	1	
NS	900740	TUBING, polyurethane, 10/6.5-7 mm	AR	C
NS	226690	TUBING, polyurethane, 12/8mm, blue	AR	C
NS	240976	CLAMP, ground, with wire	1	
NS	802060	HOSE, 5 ft	1	
<p>NOTE A: Quantities of noted parts depends on system configuration and console type. C: Order in increments of one foot. AR: As Required NS: Not Shown</p>				
				<i>Continued...</i>

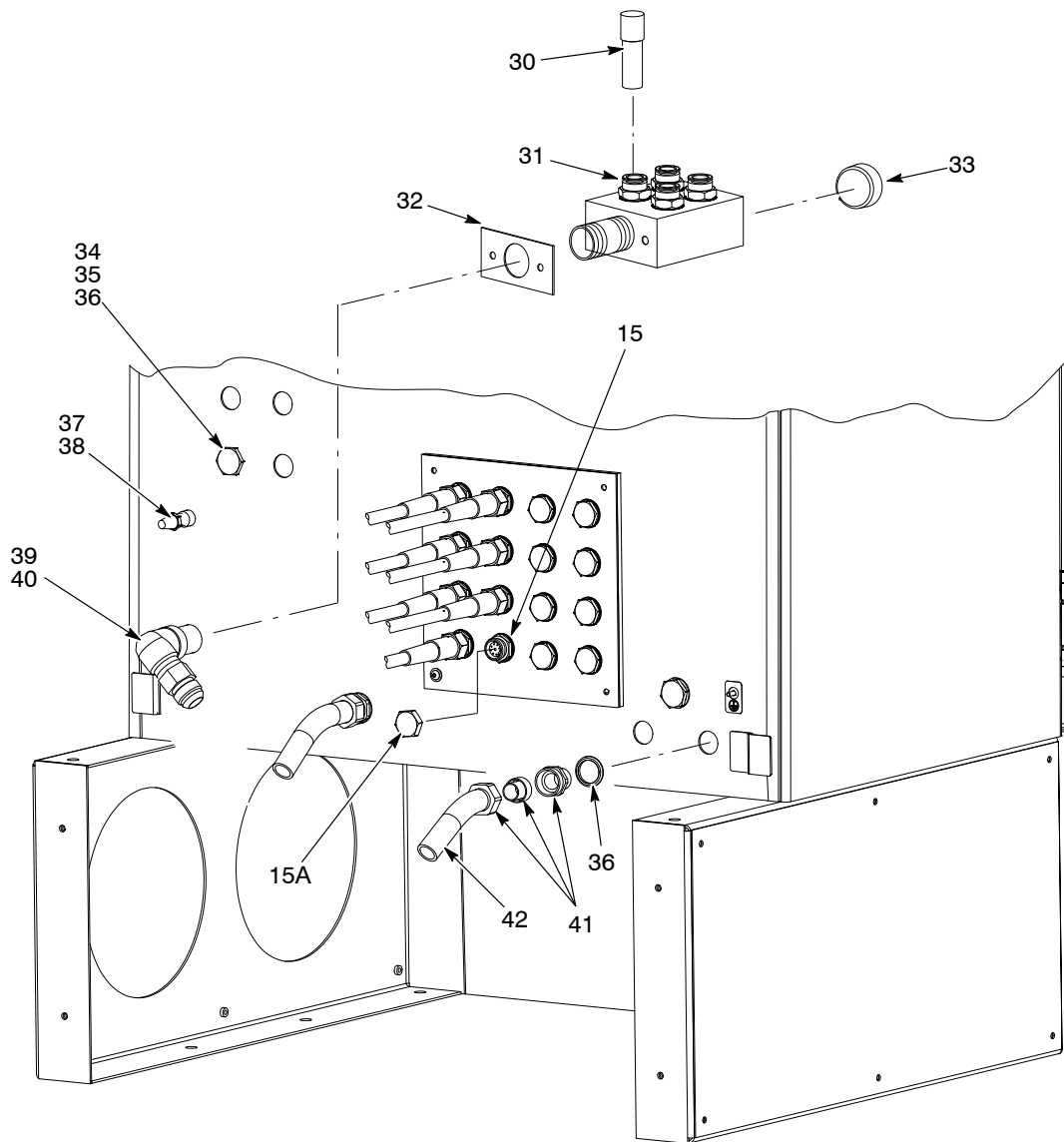


Figure 8-4 Console Parts (3 of 5)

See Figure 8-6 for the parts listed in this table:

Item	Part	Description	Quantity	Note
44	1023939	PCA, backplane, iControl	1	
45	982825	SCREW, pan head, recessed, M4 x 12, w/internal lockwasher	4	
46	320586	RESISTOR, MF, 20K, 1W, 5 AXL	2	
47	334805	FILTER, line, RFI, power, 10A	AR	A
48	1057592	CABLE, twisted pair, 2-conductor, 22 AWG, 300V	AR	A, B
49	185034	CONNECTOR, terminal block, MC1, 5/ST, single row	AR	A
50	240674	TAG, ground	2	
51	983401	WASHER, lock, split, M5, steel, zinc	4	
52	983021	WASHER, flat, 0.203 x 0.406 x 0.040 in., brass	2	
53	984702	NUT, hex, M5, brass	2	
54	1098442	POWER SUPPLY, 400W, +24V, +/-12V, +5V	1	C
55	983403	WASHER, lock, split, M4, steel, zinc	4	
56	982164	SCREW, pan head, slotted, M4 x 6, zinc	4	

NOTE A: Quantities of noted parts depends on system configuration and console type.
 B: Order in increments of one foot.
 C: See Figure 8-5. If replacing an old power supply (1027564), order kit 1107142. If replacing a new power supply, order 1098442 for a direct replacement.

AR: As Required

Continued...



Figure 8-5 Old and New Power Supply

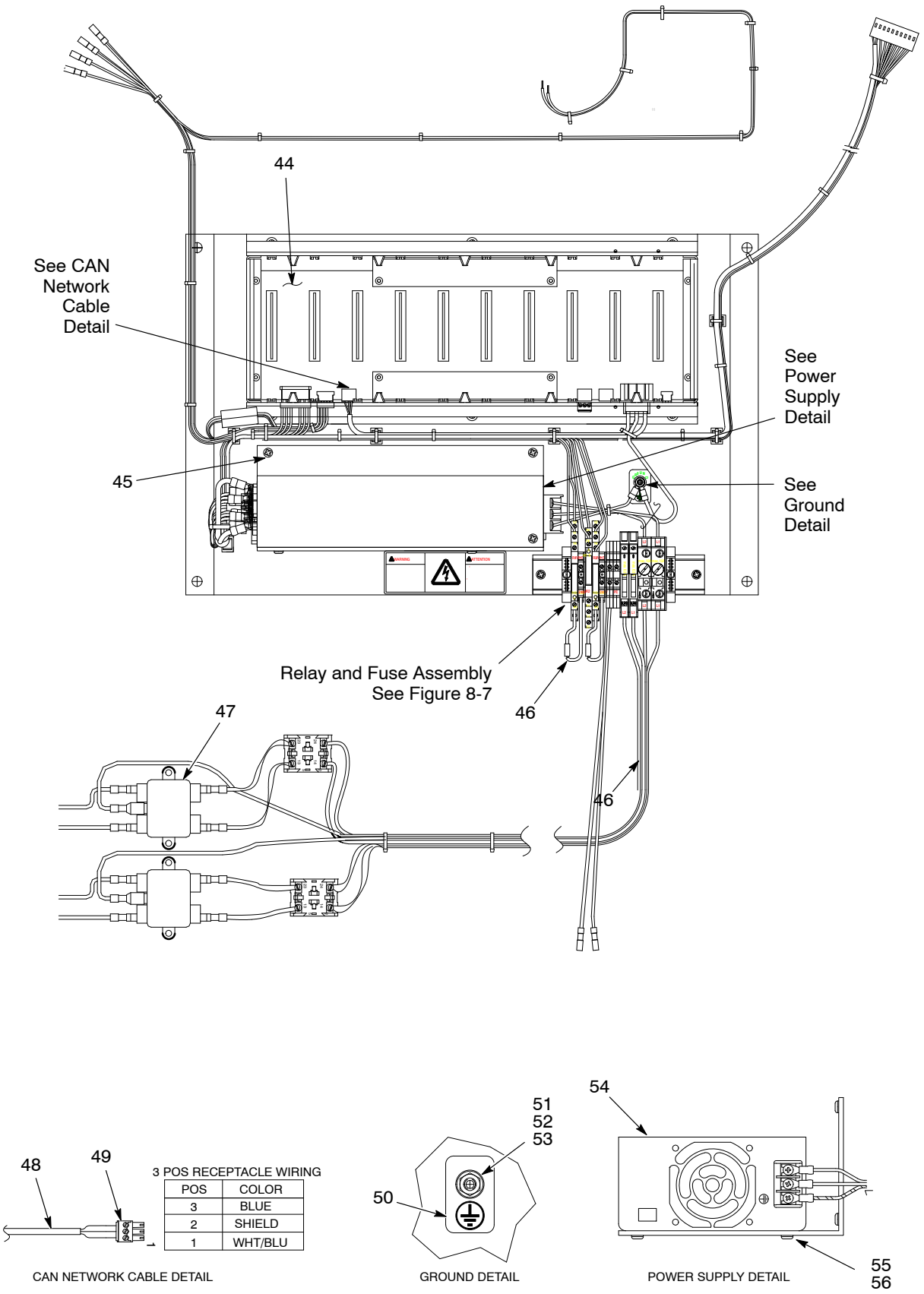


Figure 8-6 Console Parts (4 of 5)

Control Relays and Fuses

Item	Part	Description	Quantity	Note
58	1068695	CONTROL RELAY, 115VAC/DC, 250V/6A, DIN-MT	2	
59	1068696	CONTROL RELAY, 24VDC, 250V/6A, DIN-MT	1	
61	939709	FUSE, 10.00, fast-acting, 250V	2	
62	939306	FUSE, 3.15, fast-acting, 250V, 5x20	2	
NS	320586	RESISTOR, MF, 20K, 1W, 5 AXL	2	
NS: Not Shown				

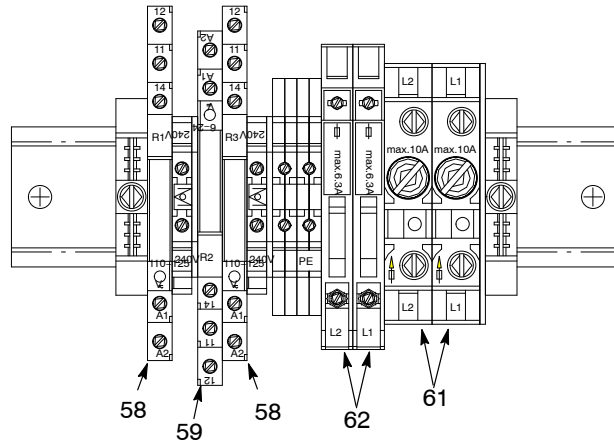


Figure 8-7 Control Relays and Fuses – Console Parts (5 of 5)

Flow Module Parts

See Figure 8-8.

Item	Part	Description	Quantity	Note
-	1036657	MODULE, digital airflow control	1	
1	-----	• VALVE, solenoid	2	A
2	972125	• ELBOW, male, 10 mm tube x 1/4 in. unithread	2	
3	1030873	• VALVE, check, M8T x R1/8, M input	4	
4	1033171	• CONNECTOR, orifice, 4mm x R1/8, dia 0.4mm	2	
5	1027547	• VALVE, proportional, solenoid, sub-base	4	

NOTE A: If using with an old board (1023932), order solenoid valve 1099302. If using with a new board (1099635), order solenoid valve 1099288.

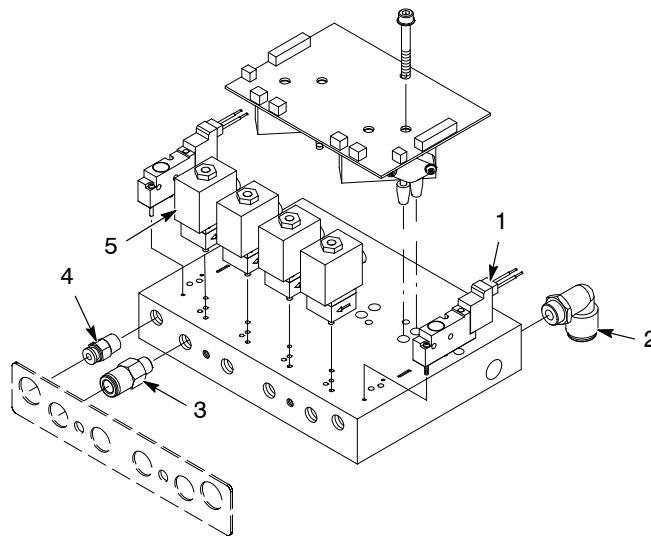


Figure 8-8 Flow Module Parts

Options

Adapter Cables for Versa-Spray® and Tribomatic® Spray Guns

Part	Description	Note
334783	ADAPTER, gun cable, Versa-Spray (black)	
341622	ADAPTER, gun cable, Versa-Spray, porcelain enamel (gray)	
334784	ADAPTER, gun cable, Tribomatic	

CAN Cable

Part	Description	Note
1057592	JACKETED CABLE, twisted pair, shielded, 24 AWG, 120 ohm	A
NOTE A: Order length desired in increments of one foot.		

Junction Boxes, Extension Boxes, and Control Panels

Part	Description	Note
1035897	JUNCTION BOX, photoeye, 30 watt, iControl	A
1035899	JUNCTION BOX, photoeye extension, iControl	A
1055890	JUNCTION BOX, scanner, in/out positioner, iControl	A
1103901	INTERFACE BOX, Ethernet network, iControl	A
1055889	CONTROL PANEL, in/out positioner, iControl	A, B
1055883	CONTROL PANEL, analog positioner, iControl	A, E
1070103	CONTROL PANEL, in/out positioner/reciprocator, iControl	A, B
1098087	CONTROL PANEL, in/out positioner, iControl (plug-in)	A, C
1097160	CONTROL PANEL, in/out positioner/reciprocator, iControl (plug-in)	A, C
1092923	CONTROL PANEL, top down positioner, iControl	A, B
1092924	CONTROL PANEL, bottom up positioner, iControl	A, B
1600007	CONTROL PANEL, bottom up, AC, plug-in, iControl	A, C, D
1600011	CONTROL PANEL, top down, AC, plug-in, iControl	A, C, D
NOTE A: Refer to Section 7, Wiring and Pneumatic Diagrams, for repair parts. B: Use with Nutro-built (VO618N, VRnnRD models) positioners and reciprocators. C: Use with Nordson positioners and reciprocators. D: Use with Nordson reciprocator operating as a vertical positioner. E: Special use when notes B, C, or D do not apply.		

Ethernet Components

Part	Description	Note
1058222	CABLE, CAT 5 Ethernet, T568B colors, 100 ft	A
-----	CABLE, CAT 5 Ethernet, T568B colors, 300 ft	A
1058224	MODULE, termination, CAT 5, T568B colors	
NOTE A: Cables have male connectors at each end. Refer to Section 3, Installation, for use.		

Nozzle Purge Kits

Part	Description	Note
1035665	KIT, purge, single, controller	
1035666	KIT, purge, dual, controller	

Miscellaneous Kits

Part	Description	Note
1039881	KIT, tester, iFlow (air flow verification kit)	
1039886	KIT, boost, iControl (flow-rate air flow boost kit for PE spray guns)	

Recommended Air Filter for Use with iControl Systems

Part	Description	Note
1047526	Filter, gas and compressed air	
1047524	Element, filter	
1047525	Plate, port, 1 in., BSP	

Conveyor Encoder

Part	Description	Note
1074261	ENCODER, 24 PPR, w/cable	

Photocells and Scanners

Part	Description	Note
1037969	PHOTOCELL, wire goods	
131473	SENSOR, opposed mode emitter (Banner SM31E)	
131486	SENSOR, opposed mode receiver (Banner SM31R)	
170730	PHOTOCELL, retro-reflective	
321158	CONTROLLER, analog, mini-array	A
321159	CONTROLLER, discrete, mini-array	A
321160	SENSOR, light emitter, 6 in., 3/4 in. beam spacing, 8 beam	
321161	SENSOR, light receiver, 6 in., 3/4 in. beam spacing, 8 beam	
-----	SENSOR, light emitter, 12 in., 3/4 in. beam spacing, 16 beam	
-----	SENSOR, light receiver, 12 in., 3/4 in. beam spacing, 16 beam	
321164	SENSOR, light emitter, 18 in., 3/4 in. beam spacing, 24 beam	
-----	SENSOR, light receiver, 18 in., 3/4 in. beam spacing, 24 beam	
339739	SENSOR, light emitter, 24 in., 3/4 in. beam spacing, 32 beam	
339740	SENSOR, light receiver, 24 in., 3/4 in. beam spacing, 32 beam	
339741	SENSOR, light emitter, 30 in., 3/4 in. beam spacing, 40 beam	
339742	SENSOR, light receiver, 30 in., 3/4 in. beam spacing, 40 beam	
-----	SENSOR, light emitter, 36 in., 3/4 in. beam spacing, 48 beam	
-----	SENSOR, light receiver, 36 in., 3/4 in. beam spacing, 48 beam	
-----	SENSOR, light emitter, 42 in., 3/4 in. beam spacing, 56 beam	
-----	SENSOR, light receiver, 42 in., 3/4 in. beam spacing, 56 beam	
-----	SENSOR, light emitter, 48 in., 3/4 in. beam spacing, 64 beam	
-----	SENSOR, light receiver, 48 in., 3/4 in. beam spacing, 64 beam	
339749	SENSOR, light emitter, 60 in., 3/4 in. beam spacing, 80 beam	
339750	SENSOR, light receiver, 60 in., 3/4 in. beam spacing, 80 beam	
339751	SENSOR, light emitter, 72 in., 3/4 in. beam spacing, 96 beam	
339752	SENSOR, light receiver, 72 in., 3/4 in. beam spacing, 96 beam	
NOTE A: Requires custom programming to match the application. Contact Nordson customer support.		

Photocell and Scanner Cables

Part	Description	Note
176429	SOW cable, 18-4	
321155	CABLE, scanner, 15 ft.	
321156	CABLE, scanner, 25 ft.	
321157	CABLE, scanner, 50 ft.	
343207	CABLE, scanner rated, 15 ft.	
347230	CABLE, input, 5 wire, 6 meter, male	

Software Replacement Kits

Part	Description	Note
1107154	KIT, software, iControl, Ver. 0.9.26	
1107159	<ul style="list-style-type: none">• MEMORY, programmed, iControl, Ver. 0.9.26	
1034281	<ul style="list-style-type: none">• MEMORY, Compact Flash	
1107155	KIT, software, iControl, Ver. 2.2.14.2	
1107160	<ul style="list-style-type: none">• MEMORY, programmed, iControl, Ver. 2.2.14.2	
1034281	<ul style="list-style-type: none">• MEMORY, Compact Flash	
1107156	KIT, software, iControl, Ver. 3.0.6	
1107162	<ul style="list-style-type: none">• MEMORY, programmed, iControl, Ver. 3.0.6	
1034281	<ul style="list-style-type: none">• MEMORY, Compact Flash	

Encore iControl 2 Integrated Control System

Parts numbers listed for reference only. For a complete parts list refer to manual 1603638.

iControl 2 Controllers and Interconnect Cables

Part	Description	Note
Main Consoles		
1603116	Controller, Encore, iControl 2, 4 gun, main console	
1603117	Controller, Encore, iControl 2, 6 gun, main console	
1603118	Controller, Encore, iControl 2, 8 gun, main console	
1603119	Controller, Encore, iControl 2, 10 gun, main console	
1603120	Controller, Encore, iControl 2, 12 gun, main console	
1603121	Controller, Encore, iControl 2, 14 gun, main console	
1602788	Controller, Encore, iControl 2, 16 gun, main console	
1603122	Controller, Encore, iControl 2, 4 gun, main w/pedestal	
1603123	Controller, Encore, iControl 2, 6 gun, main w/pedestal	
1603124	Controller, Encore, iControl 2, 8 gun, main w/pedestal	
1603125	Controller, Encore, iControl 2, 10 gun, main w/pedestal	
1603126	Controller, Encore, iControl 2, 12 gun, main w/pedestal	
1603127	Controller, Encore, iControl 2, 14 gun, main w/pedestal	
1603128	Controller, Encore, iControl 2, 16 gun, main w/pedestal	
Auxiliary Consoles		
1603583	Controller, Encore, iControl 2, 4 gun, auxiliary console	
1603584	Controller, Encore, iControl 2, 6 gun, auxiliary console	
1603585	Controller, Encore, iControl 2, 8 gun, auxiliary console	
1603586	Controller, Encore, iControl 2, 10 gun, auxiliary console	
1603587	Controller, Encore, iControl 2, 12 gun, auxiliary console	
1603588	Controller, Encore, iControl 2, 14 gun, auxiliary console	
1603589	Controller, Encore, iControl 2, 16 gun, auxiliary console	

Part	Description	Note
Interconnect Cables		
1603260	Cable interconnect, CB1, 15 meter, iControl 2 (Main to Aux)	A
1603261	Cable, interconnect, PJ2, 15 meter, iControl 2 (Aux to Pedestal)	
1603262	Cable, interconnect, PJ2, 30 meter, iControl 2 (Aux to Pedestal)	
1603657	Cable, interconnect, CA1, 10 meter, Plug-N-Spray	B
1603665	Cable, interconnect, PM1, 10 meter, Plug-N-Spray	C
1603282	Cable, interconnect, Ethernet, male/female, 10 meter	D
1603256	Harness, interconnect, PJ1, iControl 2 with pedestal, 15 meter (Aux to Pedestal)	
1602711	Harness, interconnect, PJ1, iControl 2 with pedestal, 30 meter (Aux to Pedestal)	
1602871	Harness, Part ID, PD1, iControl 2 (Main Console to Part ID Junction Box)	E
1603103	Cable, AC power, 10 meter, auxiliary, iControl	F
1604310	Cable, interconnect, CA1, 15 meter, Plug-N-Spray	G
1604311	Cable, interconnect, CA1, 15 meter, Plug-N-Spray, auxiliary	H
<p>NOTE A: CAN Network – Main Console to Auxiliary Console (CB1). B: Power – Main Electrical Control Panel to Main Console (CA1). C: Ethernet – Main Electrical Control Panel to Main Console (PM1). D: Ethernet – Main Electrical Control Panel to Part ID Junction Box (PM2). E: Power and Signals – Main Console to Part ID Junction Box (PD1). F: Power – Main Electrical Control Panel to Auxiliary Console (CA1). G: Extended length replacement for 1603657. H: Extended length replacement for 1603103.</p>		

Main/Auxiliary Console Parts

See Figure 8-9 for the location of the parts listed in this table:

Item	Part	Description	Quantity	Note
1	939122	Seal, conduit fitting, blue	AR	
2	984526	Nut, lock, 1/2 in. conduit	AR	
3	334800	Plug, 1/2 in. Pipe, 1 in. hex	AR	
4	1602905	Hose assembly, 3/4 in., 1-1/16–12, swivel	1	
5	1603613	Cap, receptacle, female, eternal thread, 7/8–16UN	AR	
6	241040	Muffler, 1/8 in. NPT	1	
7	1602855	Filter assembly, gas and compressed air, iControl2	1	A
7A	1047524	• Element, filter	1	
8	326139	Plug, blanking, 4 mm tube	AR	
9	973143	Elbow, pipe, 90 degree, 3/4 in., steel, zinc plt	1	
AR: As Required				
				<i>Continued...</i>

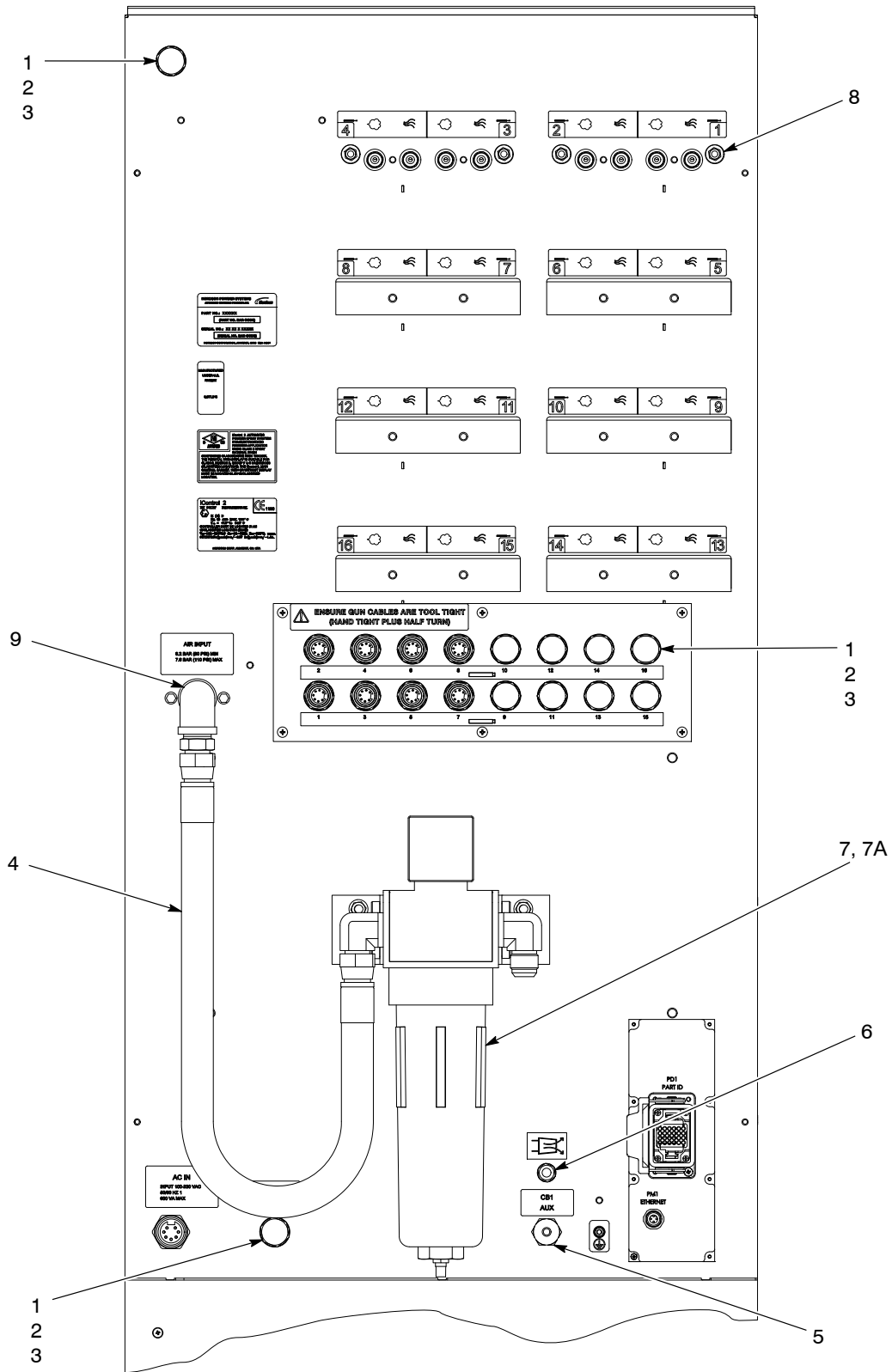


Figure 8-9 Main and Auxiliary Console Parts – Rear View(1 of 3)

See Figure 8-10 for the location of the parts listed in the this table:

Item	Part	Description	Quantity	Note
11	-----	Gasket, control cabinet, iControl 2	1	
12	1602709	Fan assembly, iControl 2	1	
13	1036657	Module, digital airflow control, packaged	AR	B
14	1602875	Control unit, PC, panel mount, touch screen	1	A
14A	-----	Gasket, bezel, iControl	1	A
15	1000594	Switch, keylock, 3-position	1	A
16	1000595	Contact block, 1-N.O. And 1-N.C. contact	1	
17	1023938	PCA, backplane, iControl	1	
18	1107144	Kit, Encore dual gun driver PCA	AR	C
19	1602710	Receptacle 8-position, gun, 0.4 m	AR	C
20	-----	Jumper, gun ID, odd number	1	D
21	1602868	CPU, Arbor, iControl 2	1	A
22	-----	Kit, software, iControl	1	A
22A	-----	• Memory, programmed, iControl	1	
22B	1034281	• Memory, Compact Flash (blank, for user data)	1	
23	1098442	Power supply, 400W, +24V, +/-12V, +5V, 5 slot	1	
24	1602862	Terminal block assembly, fuse	1	
24A	939709	• Fuse, 10A, fast-acting, 250V	2	
25	334806	Switch, round, 2 position, 90 degree	1	
26	288806	Contact block, 2-N.O. contacts	1	
27	-----	Assembly, module, digital input, iControl 2	1	A
27A	1602718	• Cable, ribbon, iControl 2	1	A
<p>NOTE A: Not used in auxiliary console. B: Refer to iFlow Module Parts for repair parts. C: One card drives two automatic spray guns. One receptacle is used for each gun. D: Plug into unused gun card receptacle when gun is not used. Prevents the fault LED from lighting when an odd number of guns is connected to the card.</p> <p>AR: As Required</p>				
				<i>Continued...</i>

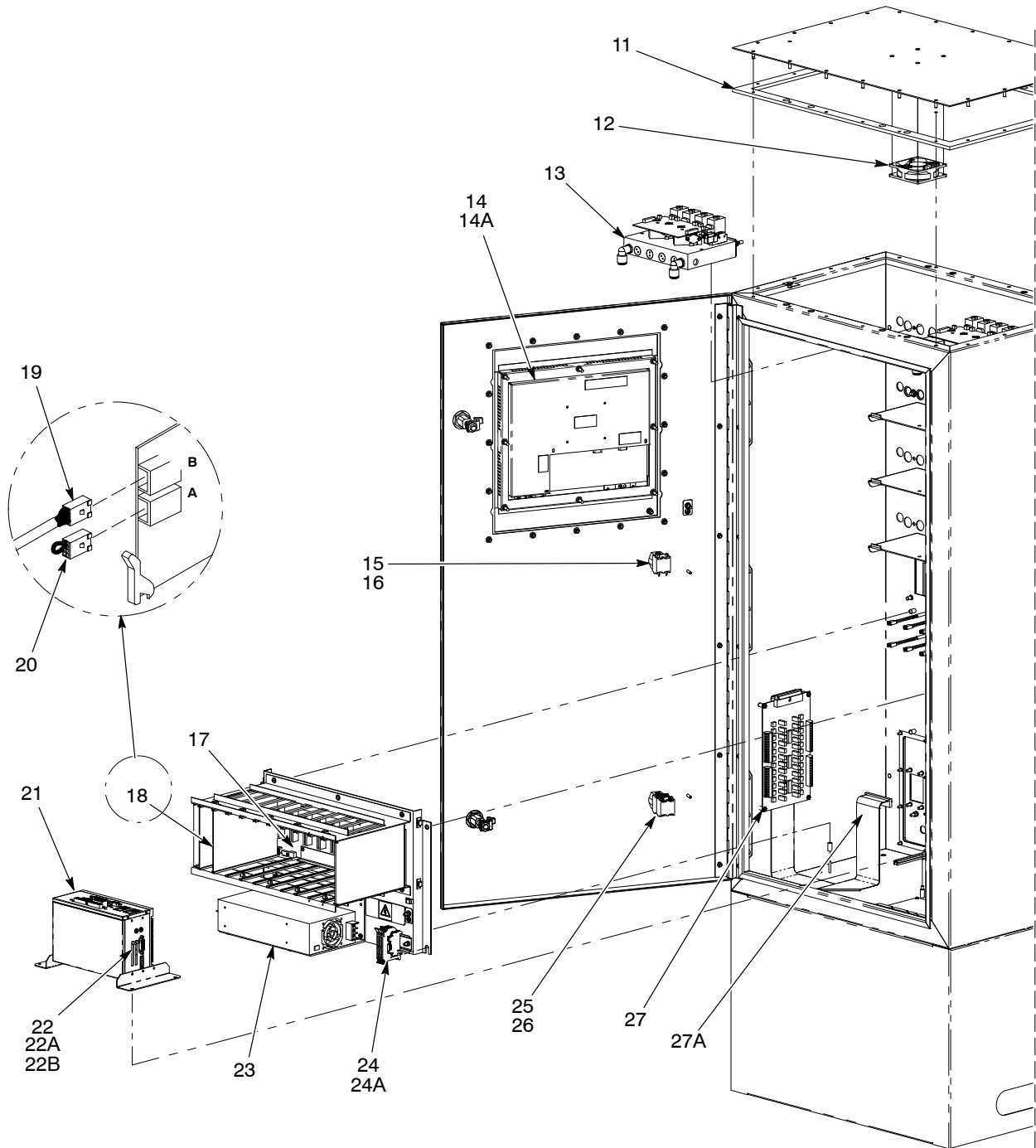


Figure 8-10 Main and Auxiliary Console Parts – Internal Components (2 of 3)

See Figure 8-11 for the location of the parts listed in the this table:

Item	Part	Description	Quantity	Note
28	183418	Plug, 12 mm, tube	AR	
29	972240	Connector, male, elbow, 12 mm tube x 1/2 uni	AR	
30	1033878	Regulator, rolling diaphragm, 0–120, 1/2 NPT	AR	
31	1034000	Fitting, 1/2 RPT x (4) 10 mm tube	AR	
32	148256	Plug, 10 mm tubing	AR	
33	1603591	PCA, relay board, iControl 2	1	A
34	1096216	Power supply, DIN, 115/230VAC, 24VDC, 120W	1	A
35	1603114	Terminal block, AC/DC converter and fuse	1	
35A	114876	• Fuse, 4A, fast-acting, 250V, 5 x 2	2	
36	334805	Filter, line, RFI, power, 10A	2	B
NS	900740	TUBING, polyurethane, 10/6.5–7 mm	AR	
NS	226690	TUBING, polyurethane, 12/8mm, blue	AR	
NS	240976	CLAMP, ground, with wire	1	
<p>NOTE A: Not used in auxiliary console. B: One line filter used in auxiliary console. AR: As Required NS: Not Shown</p>				

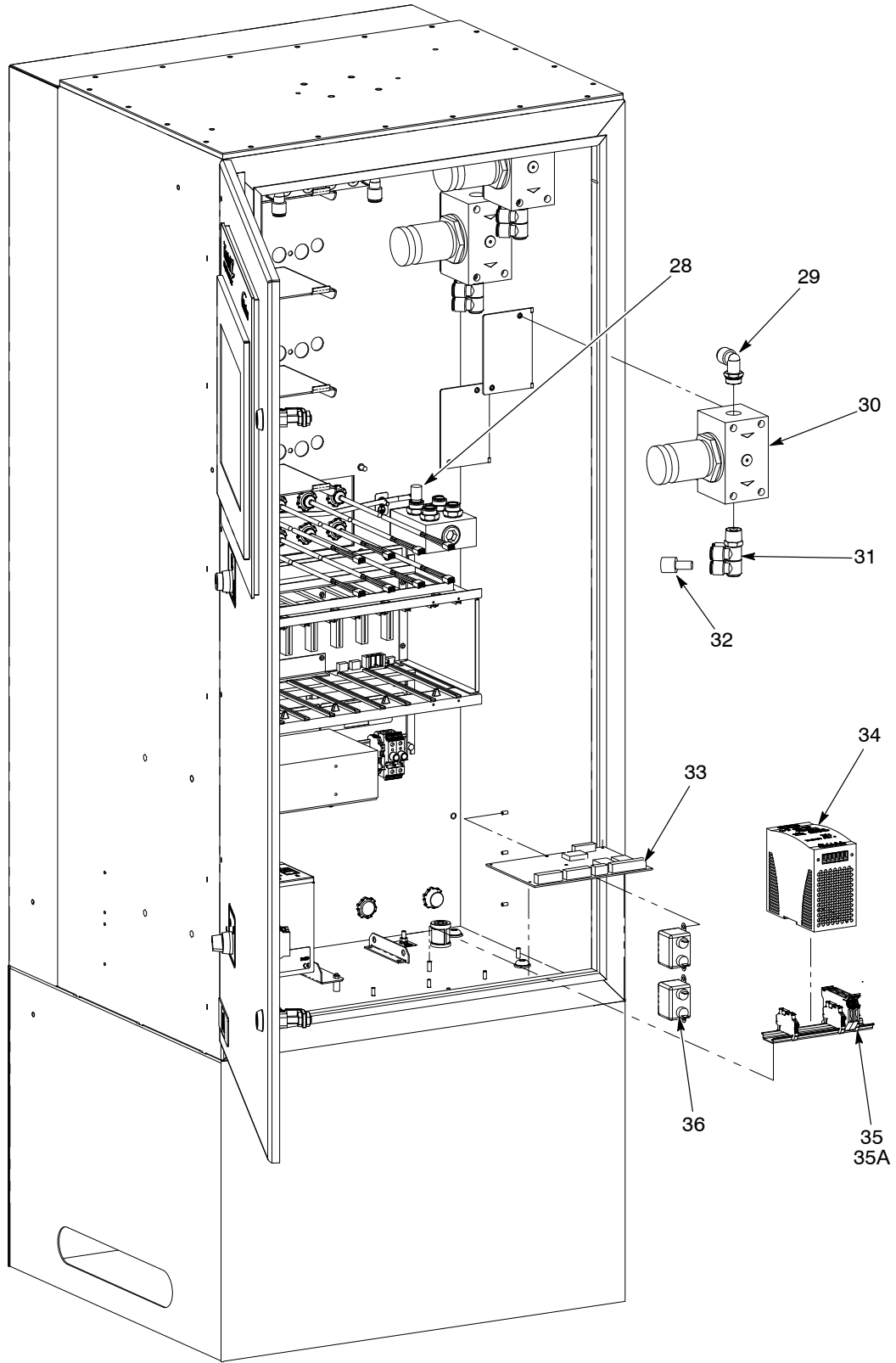


Figure 8-11 Main and Auxiliary Console Parts – Internal Components (3 of 3)

Pedestal Parts

See Figure 8-12 for the parts listed in this table:

Item	Part	Description	Quantity	Note
1	1602875	Control unit, PC, panel mount, touch screen	1	
2	1000594	Switch, keylock, 3-position	1	
3	1000595	Contact block, 1-N.O. And 1-N.C. contact	1	
4	1602873	Assembly, module, digital input, iControl 2 pedestal	1	
5	1602967	Terminal block, pedestal, iControl 2	1	
6	1602868	CPU, Arbor, iControl	1	
6A	1603058	Memory, programmed, iControl V3.6	1	
6B	1034281	Memory, compact flash (data)	1	

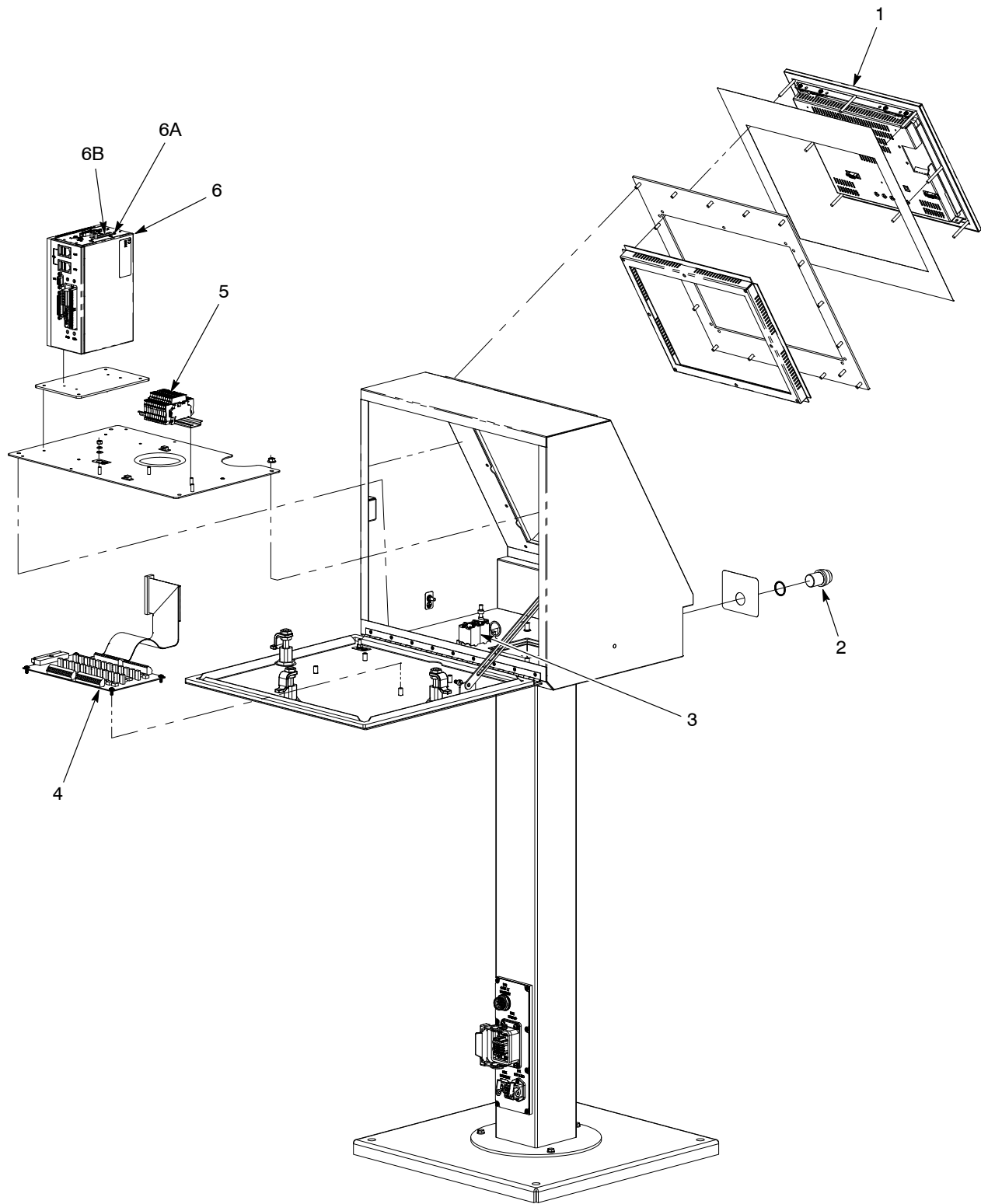


Figure 8-12 Pedestal Parts

iFlow Module Parts

See Figure 8-8.

Item	Part	Description	Quantity	Note
-	1036657	Module, digital airflow control	1	
1	1099302	• Valve, solenoid, 3-way, w/connector	2	A
2	972125	• Elbow, male, 10 mm tube x 1/4 in. unithread	2	
3	1030873	• Valve, check, M8T x R1/8, M input	4	
4	1033171	• Connector, orifice, 4mm x R1/8, dia 0.4mm	2	
5	1027547	• Valve, proportional, solenoid, sub-base	4	

NOTE A: The iFlow module can use one of two circuit board part numbers: If using board 1023932, order solenoid valve 1099302. If using board 1099635, order solenoid valve 1099288.

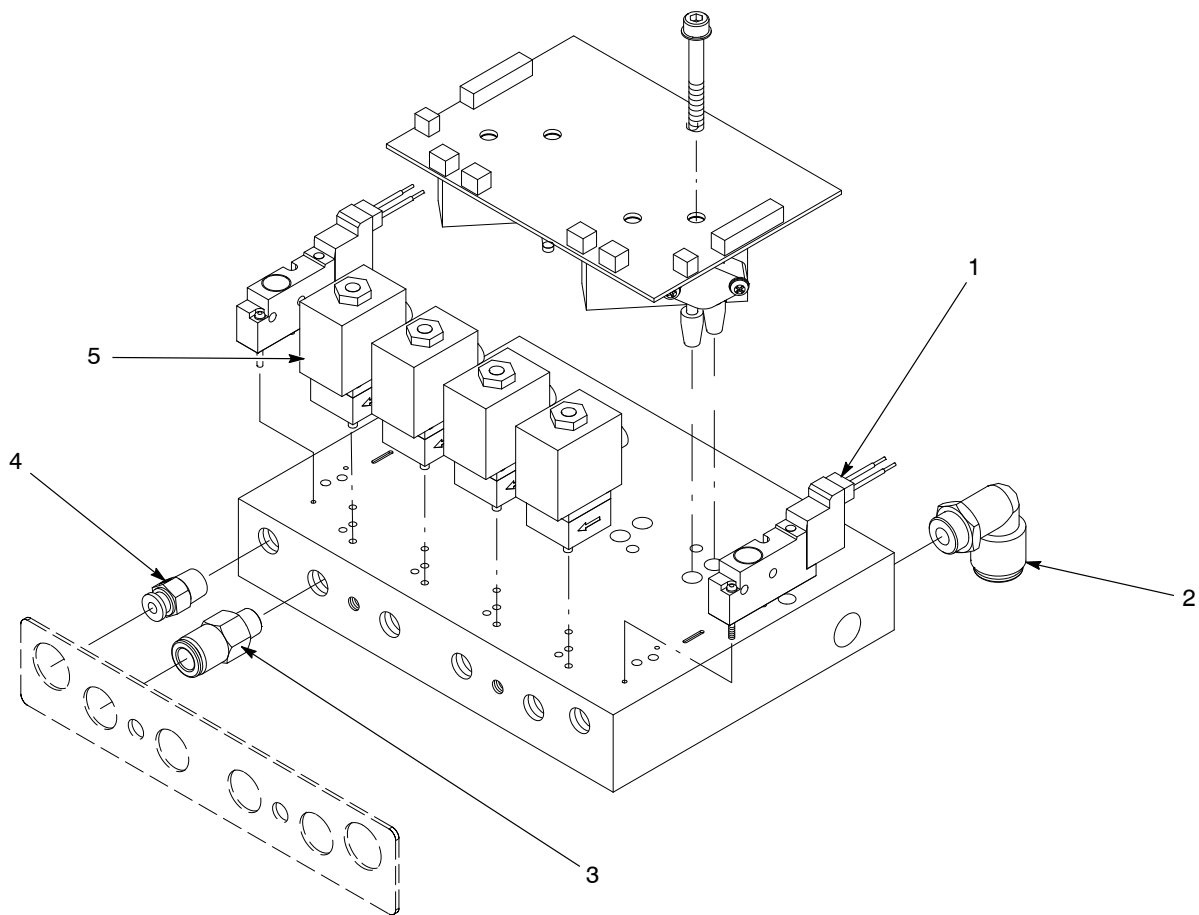


Figure 8-13 iFlow Module Parts

Options

Miscellaneous Kits

Part	Description	Note
1039881	Kit, tester, iFlow (air flow verification kit)	
1039886	Klit boost, iControl (flow-rate air flow boost kit for PE spray guns)	
1603093	Kit, air conditioner, iControl 2	

Conveyor Encoder

Part	Description	Note
1074261	Encoder, 24 PPR, w/cable	

Photocells and Scanners

Part	Description	Note
1037969	Photocell, wire goods	
131473	Sensor, opposed mode emitter (Banner SM31E)	
131486	Sensor, opposed mode receiver (Banner SM31R)	
170730	Photocell, retroreflective	
321158	Controller, analog, mini-array	A
321159	Controller, discrete, mini-array	A
321160	Sensor, light emitter, 6 in., 3/4 in.beam spacing, 8 beam	
321161	Sensor, light receiver, 6 in., 3/4 in.beam spacing, 8 beam	
321162	Sensor, light emitter, 12 in., 3/4 in.beam spacing, 16 beam	
321163	Sensor, light receiver, 12 in., 3/4 in.beam spacing, 16 beam	
321164	Sensor, light emitter, 18 in., 3/4 in. beam spacing, 24 beam	
321165	Sensor, light receiver, 18 in., 3/4 in. beam spacing, 24 beam	
339739	Sensor, light emitter, 24 in., 3/4 in. beam spacing, 32 beam	
339740	Sensor, light receiver, 24 in., 3/4 in. beam spacing, 32 beam	
339741	Sensor, light emitter, 30 in., 3/4 in. beam spacing, 40 beam	
339742	Sensor, light receiver, 30 in., 3/4 in. beam spacing, 40 beam	
339743	Sensor, light emitter, 36 in., 3/4 in. beam spacing, 48 beam	
339744	Sensor, light receiver, 36 in., 3/4 in. beam spacing, 48 beam	
339745	Sensor, light emitter, 42 in., 3/4 in. beam spacing, 56 beam	
339746	Sensor, light receiver, 42 in., 3/4 in. beam spacing, 56 beam	
339747	Sensor, light emitter, 48 in., 3/4 in. beam spacing, 64 beam	
339748	Sensor, light receiver, 48 in., 3/4 in. beam spacing, 64 beam	
339749	Sensor, light emitter, 60 in., 3/4 in. beam spacing, 80 beam	
339750	Sensor, light receiver, 60 in., 3/4 in. beam spacing, 80 beam	
339751	Sensor, light emitter, 72 in., 3/4 in. beam spacing, 96 beam	
339752	Sensor, light receiver, 72 in., 3/4 in. beam spacing, 96 beam	
NOTE A: Requires custom programming to match the application. Installation by Nordson only. Contact Nordson customer support.		

Photocell and Scanner Cables

Part	Description	Note
176429	SOW cable, 18-4	
321155	Cable, scanner, 15 ft.	
321156	Cable, scanner, 25 ft.	
321157	Cable, scanner, 50 ft.	
343207	Cable, scanner rated, 15 ft.	
347230	Cable, input, 5 wire, 6 meter, male	

Encore HD iControl System for Automatic Guns

Parts numbers listed for reference only. For a complete parts list refer to manual 1603054.

Consoles

Part	Description	Note
1602177	Controller, iControl, Encore HD, 4 Gun	
1602178	Controller, iControl, Encore HD, 6 Gun	
1602179	Controller, iControl, Encore HD, 8 Gun	
1602180	Controller, iControl, Encore HD, 10 Gun	
1602181	Controller, iControl, Encore HD, 12 Gun	
1602182	Controller, iControl, Encore HD, 14 Gun	
1602183	Controller, iControl, Encore HD, 16 Gun	
1602184	Controller, iControl, Encore HD, 18 Gun	
1602185	Controller, iControl, Encore HD, 20 Gun	
1602186	Controller, iControl, Encore HD, 22 Gun	
1602187	Controller, iControl, Encore HD, 24 Gun	
1602188	Controller, iControl, Encore HD, 26 Gun	
1602189	Controller, iControl, Encore HD, 28 Gun	
1602190	Controller, iControl, Encore HD, 30 Gun	
1602191	Controller, iControl, Encore HD, 32 Gun	
1602177	Controller, iControl, Encore HD, 4 Gun	
1602178	Controller, iControl, Encore HD, 6 Gun	
1602179	Controller, iControl, Encore HD, 8 Gun	

Console Parts

See Figure 8-14.

Item	Part	Description	Quantity	Note
1	1100090	CONTROL UNIT, PC, panel mount, w/Ethernet	1	
2	1051544	• INTERFACE CARD, PC104 CAN	1	
3	1105343	• CARD, I/O, PC104	1	
5	1000595	CONTACT BLOCK, 1-N.O. and 1-N.C. contact	1	
6	1000594	SWITCH, keylock, 3-position	1	
7	1032267	PANEL, keypad, iControl	1	
8	1100775	MODULE, 24-channel opto-isolated	1	
4	-----	• CABLE, IDE, 80-conductor	1	
9	1107146	JUMPER, comb-style, 12 pole, 10 mm spacing	AR	A
NS	1055881	CABLE, CAT5 Ethernet, T568B colors, 30 ft	1	
11	1034281	MEMORY, Compact Flash	1	B, C
12	1603057	MEMORY, programmed, iControl	1	C
13	288806	CONTACT BLOCK, 2-N.O. contacts	1	
14	334806	SWITCH, round, 2-position, 90 degree	1	
<p>NOTE A: Jumpers may need to be trimmed to fit into terminals. C: Blank data card. D: To replace both the program and data cards, order 1603057 Kit, software, iControl, version 3.6.0.</p> <p>AR: As Required NS: Not Shown</p>				

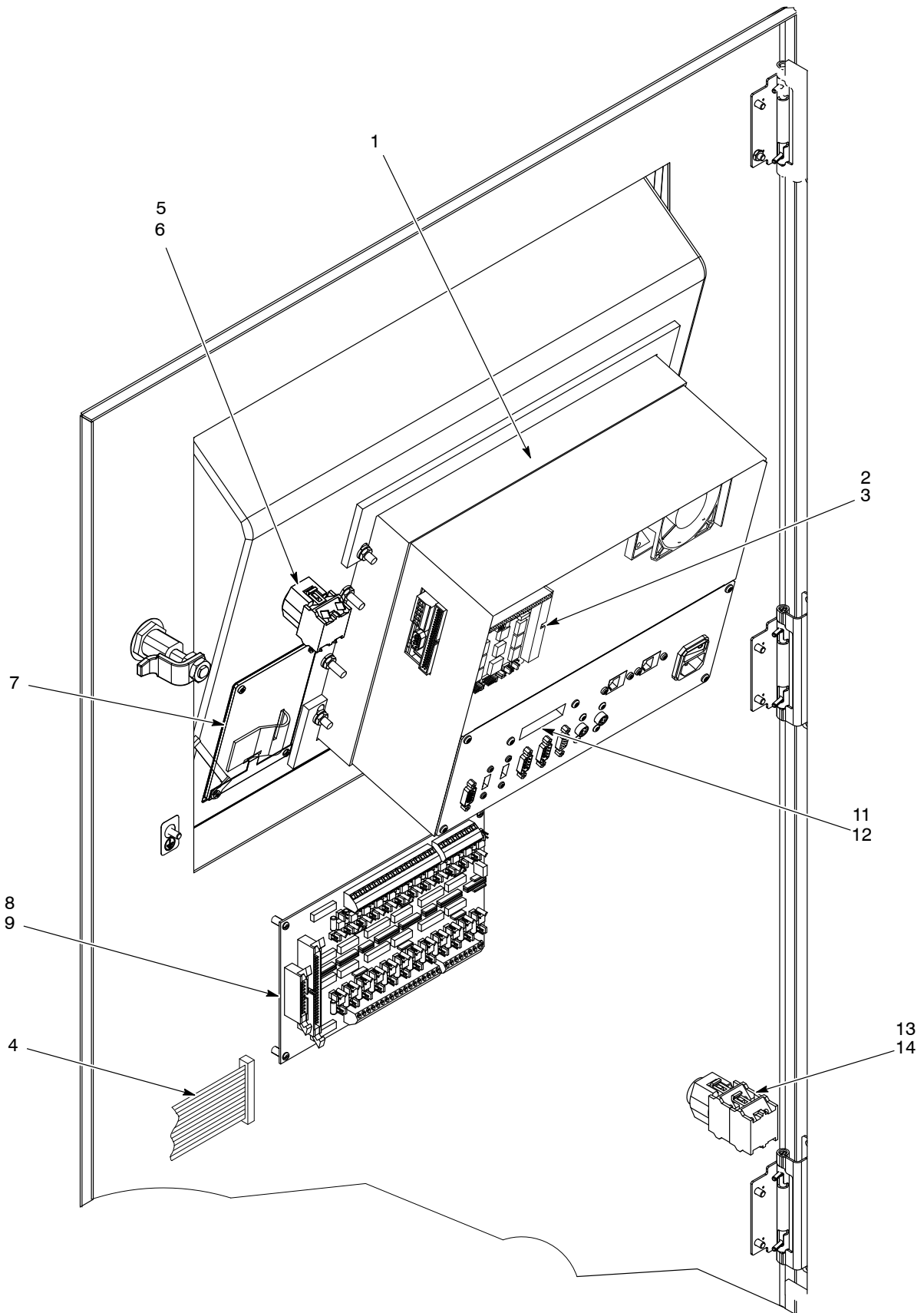


Figure 8-14 Console Parts (1 of 3) (PC shown without cover)

See Figure 8-15.

Item	Part	Description	Quantity	Note
16	1068695	CONTROL RELAY, 115VAC/DC, 250V/6A, DIN-MT	2	
17	1068696	CONTROL RELAY, 24VDC, 250V/6A, DIN-MT	1	
18	939683	FUSE, 6.30, fast-acting, 250V, 5 x 2	4	
19	939306	FUSE, 3.15, fast-acting, 250V, 5x20	2	
20	320586	RESISTOR, MF, 20K, 1W, 5 AXL	2	
21	334805	FILTER, line, RFI, power, 10A	2	

Continued...

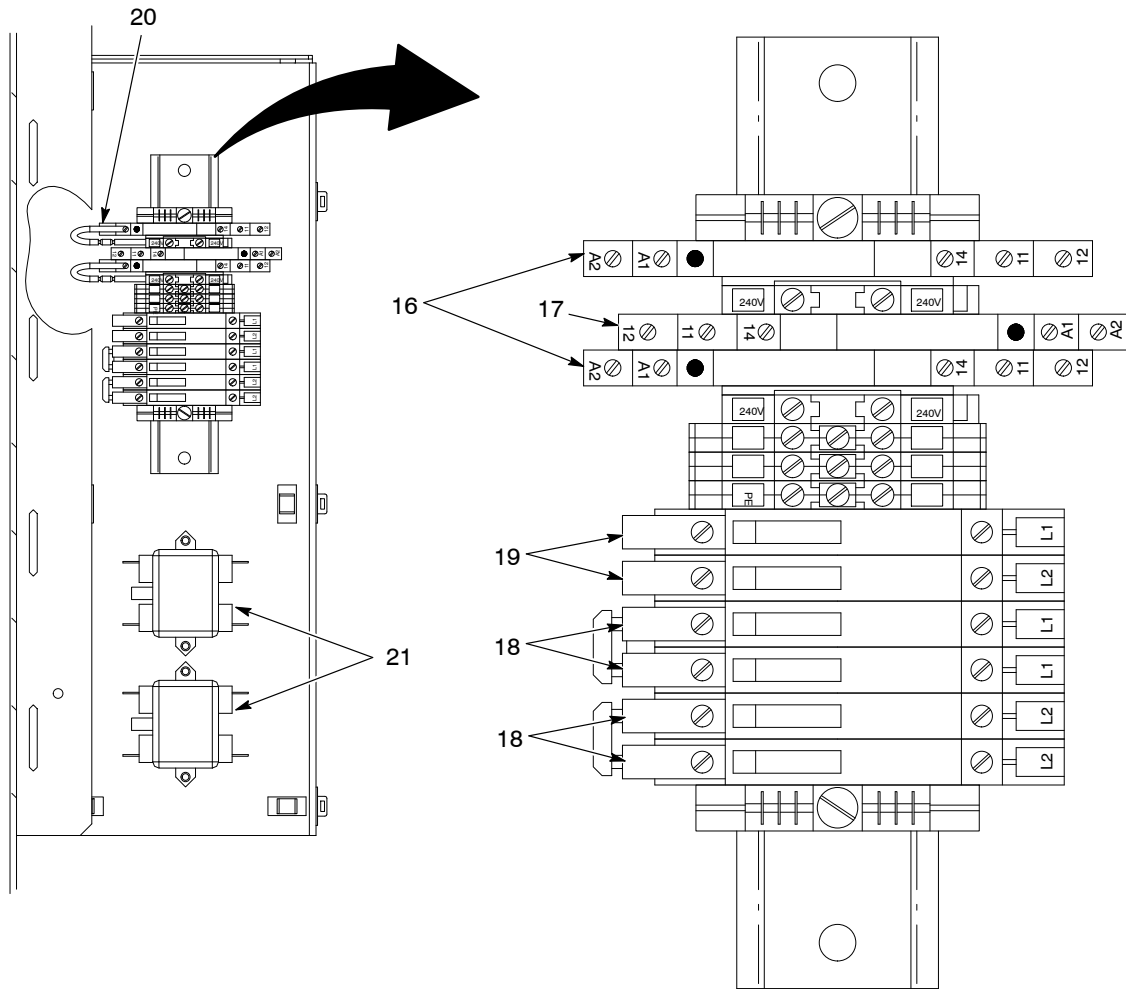


Figure 8-15 Console Parts (2 of 3)

See Figure 8-16.

Item	Part	Description	Quantity	Note
22	1023939	PCA, backplane, iControl	2	
23	1107144	KIT, Encore dual gun driver PCA	AR	A
23A	1095361	JUMPER, gun ID, odd number	AR	B
24	1098442	POWER SUPPLY, 400 watt, +24V, 12V, +5V, 5 slot	2	

NOTE A: One card controls the electrostatics for 2 automatic spray guns.
 B: Use to prevent fault LED from lighting when odd number of guns are connected. Plug into gun card receptacle in place of receptacle harness for unused receptacle. One jumper is shipped with each console.
 AR: As Required

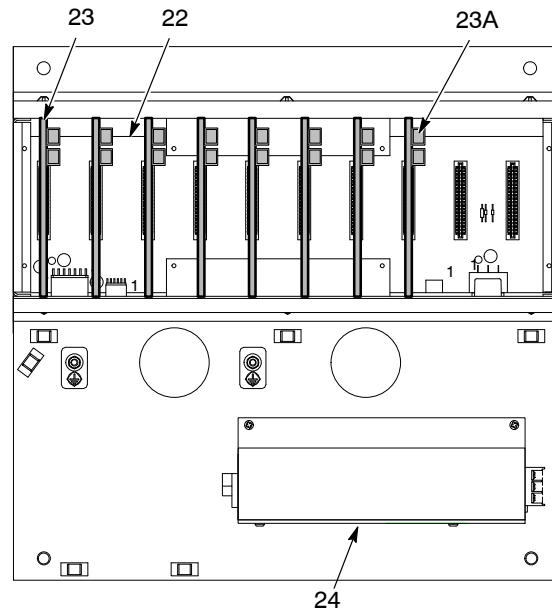


Figure 8-16 Console Parts (3 of 3)

Section 9

Powder Feed Hoppers

NOTE: For complete parts lists refer to individual component manuals:

- 1106714 HR-X-X Feed Hoppers
- 108608 HR-1-4 Hopper
- 1062942 NHR-X-X Feed Hoppers

HRV-1 and HR- 50, 80, and 150 Lb Hoppers	9-2
HR-1-4 Mini Hopper	9-3
NHR-2-25, -50, and -80 Lb Hoppers	9-4
Feed Center Hoppers	9-6
NHR 150 Hoppers	9-6

HRV-1 and HR- 50, 80, and 150 Lb Hoppers

See Figure 9-1. For complete parts lists refer to the following manuals:

HR-2-50, 80 and HR-8-80 hoppers: manual 106714.

Item	Part	Description	Note
HR-2-50 (50 lb), HR-2-80 (80 lb), HR-8-80, and HR-16-150 (150 lb) Hoppers Fill/Inspection Lids			
1	237196	Service kit, fill/inspection lid assembly	
2	237004	• Latch, fill/inspection lid	
3	237006	• Gasket, latch	
HR-2-50, HR-2-80, and HR-8-80 Hopper Lid Gasket			
4	144818	Service kit, hopper lid gasket	A
-	144820	• Gasket, lid	
HR-16-150 (150 lb) Hopper Fluidizing Plate			
5	174235	Fluidizing plate	
6	174495	Gasket, U-channel	
HR-2-50 (50 lb), HR-2-80 (80 lb), and HR-8-80 Hoppers Fluidizing Plates			
5	104168	Fluidizing plate	
6	104181	Gasket, U-channel	
HRV-1 (25 lb) Hopper Fluidizing Plate			
5	133798	Fluidizing plate	
6	133799	Gasket, U-channel	
NOTE A: Includes 900491 adhesive.			

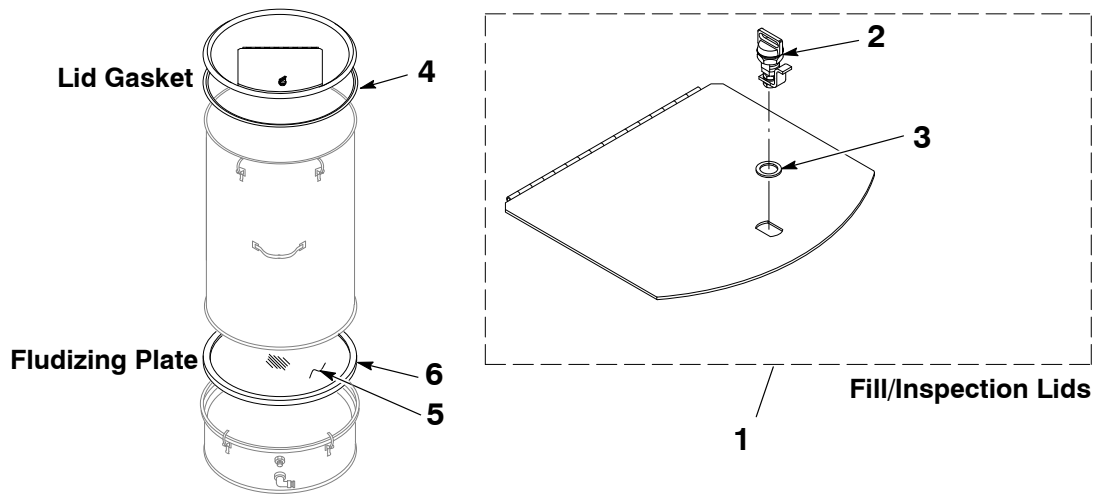


Figure 9-1 HRV-1 and HR-50, 80, and 150 lb Hoppers

HR-1-4 Mini Hopper

See Figure 9-2. For a complete parts list refer to manual 108608.

Item	Part	Description	Note
—	139364	Hopper, mini, HR-1-4	
—	171968	Service kit, lid and gasket	
1	-----	• Lid	
2	171967	• Gasket, lid	
—	169088	Service kit, lid and fluidizing plate	
1	-----	• Lid	
2	171967	• Gasket, lid	
3	171964	• Fluidizing plate	
4	171963	• Gasket, U-channel	
—	171965	Service kit, fluidizing plate with gasket	
3	171964	• Fluidizing plate	
4	171963	• Gasket, U-channel	

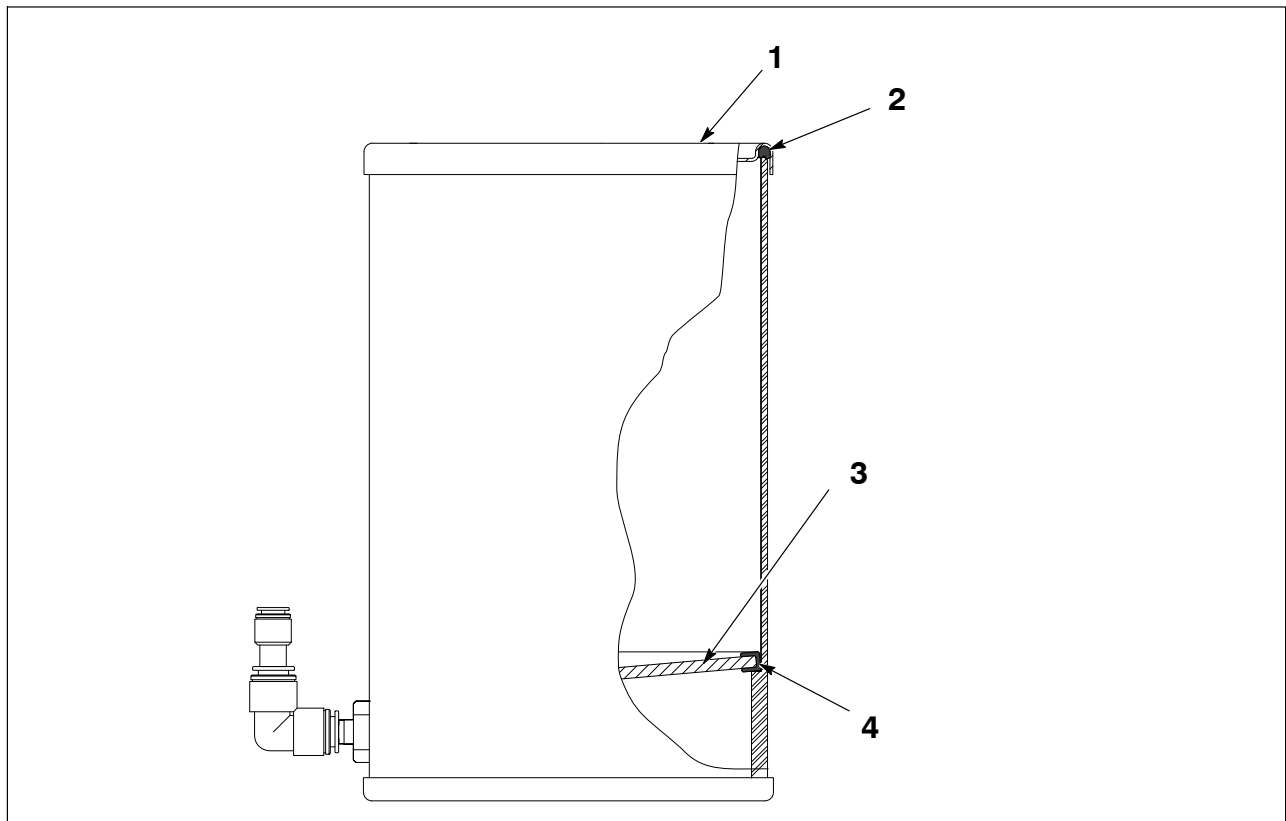


Figure 9-2 HR-1-4 Mini Hopper

NHR-2-25, -50, and -80 Lb Hoppers

See Figure 9-3. For complete parts lists refer to manual 1062942.

Item	Part	Description	Note
—	1071420	Hopper, packaged, NHR-2-25	
—	1107949	Hopper, packaged, NHR-Encore-50	A
—	1604292	Hopper, packaged, NHR-Encore PE-50	B
—	1070536	Hopper, packaged, NHR-2-50	
—	1074573	Hopper, packaged, NHR-2-80	
—	1072449	Hopper, packaged, NHR-8-80	
1	1074532	• Lid, hopper, packaged, 2-pump	
1	1074575	• Lid, hopper, packaged, 8-pump	
2	1070199	• Plug, hopper fill, NHR	
3	1074337	• Body, hopper, NHR, assembly, 25 packaged	
3	1074336	• Body, hopper, NHR, assembly, 50 packaged	
3	1107947	• Body, hopper, NHR Encore, assembly, 50 packaged	
3	1074338	• Body, hopper, NHR, assembly, 80 packaged	
4	1070232	Fluidizing plate	
5	1070234	Gasket, U-channel	
6	1074531	Drum, fluidizing	
NOTE A: Used for Encore XT and LT dolly systems. Pump mount accepts Encore pump.			
B: Used on Encore PE dolly systems. Pump mount accepts Encore PE pump.			
Pick Up Tubes and Pump Adapters			
7	1074868	Tube, pickup, 25 lb packaged	
7	1105689	Tube, pickup, 50 lb packaged, Encore	
7	1602284	Tube, pickup, 50 lb packaged, Encore PE	
7	163555	Tube, pickup, 50 lb packaged	
7	163556	Tube, pickup, 80 lb packaged	

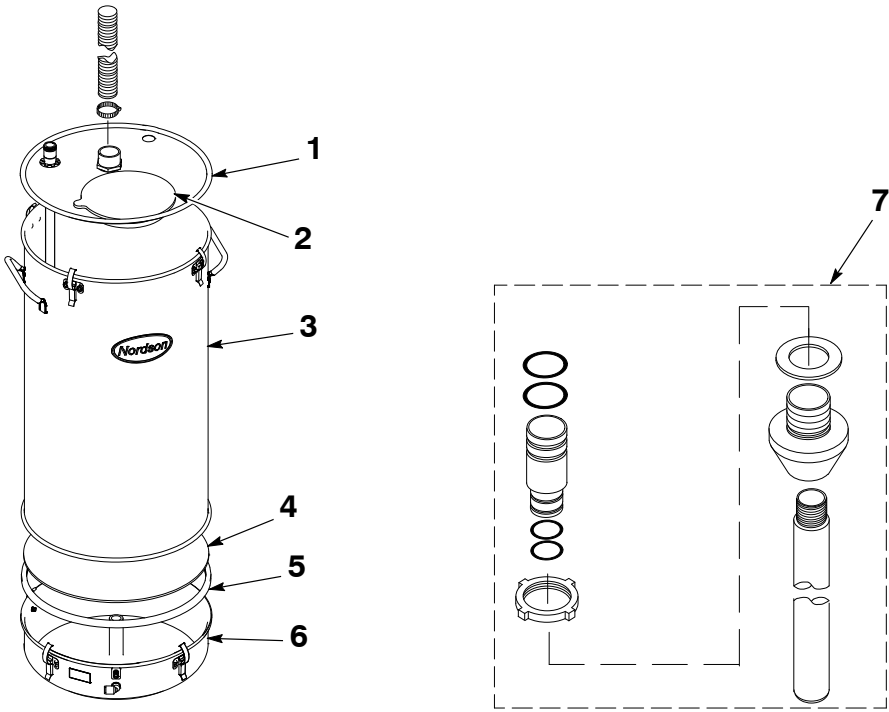


Figure 9-3 NHR-2-25, 50, 80 lb Hoppers

Feed Center Hoppers

Part	Description	Note
7404027	Hopper, fluidizing, large, PFC	
1071873	Hopper assembly, small, 18.0 L X 18.0 W X 17.5 H	
1043414	Cart, fluidizing hopper	
1086406	Kit, service, fluid hopper, pfc	
1074061	Plate, fluidizing, 50 TH x 11.25 x 38.0, powder kitchen hopper	
1604476	Gasket, hopper pfc	
1603410	Hopper, NHR-50, round, Encore HD feed center	

NHR 150 Hoppers

Part	Description	Note
1080295	Hopper, NHR-18-150, w/SNSR, std	
1080314	Hopper, NHR-18-150, w/SNSR, RCLM	

Section 10
Fluidizing Plates and Gaskets

Fluidizing Plates and Gaskets 10-2

Fluidizing Plates and Gaskets

Hopper/ Module	Part	Description	Note
HTM-16	176311	Fluidizing plate, 0.50 TH x 20.50 x 32.50 in.	
	176335	Gasket, fluid plate, 29.00 x 19.00 in.	
HTM-26	179059	Fluidizing plate, 0.50 TH x 32.50 x 32.50 in.	
	1020586	Gasket, 25.50 x 25.50 in.	
512/516	176309	Fluidizing plate, 0.50 TH x 7.50 x 35.50 in.	
	176333	Gasket, fluid plate, 8.00 x 34.50 in.	
504	179050	Fluidizing plate, 0.50 TH x 7.75 x 29.75 in.	
Horizon 400	172508	Fluidizing plate, 0.50 TH x 26.88 x 31.00 in.	
	172513	Gasket, fluid plate	
NHC-4, NHC-8s	179052	Fluidizing plate, 0.50 TH x 6.00 x 55.50 in	
	179066	Gasket, fluid plate, 54.50 x 6.50 in.	
Excel 2001	179086	Fluidizing plate, 0.50 TH x 7.75 x 31.25 in	
	179088	Gasket, fluid plate, 30.50 x 6.50 in.	
Excel 2002	176310	Fluidizing plate, 0.50 TH x 8.00 x 53.25 in	
	179089	Gasket, fluid plate	
Excel 3000s	1091588	Fluidizing plate, color module	
	1091589	Gasket, fluid plate	
ColorMax 6000 9000 11250	1008129	Fluidizing plate	
	1008140	Gasket, fluid plate	
ColorMax 15750	1019956	Fluidizing plate	
	1019957	Gasket, fluid plate	
75 lb PFC	1086406	Fluidizing plate	
	1604476	Gasket, fluid plate	
50 lb	1071872	Fluidizing plate	
	-----	Gasket, fluid plate	A
NOTE A: Contact Customer Support			

Section 11

Rotary Sieves

NOTE: For complete parts lists refer to individual component manuals:

1025254 NRPS-200 Rotary Sieve

NRPS-200 Rotary Sieve	11-2
AZO Rotary Sieve	11-5
End Cap Assembly	11-5
Steel Shaft Assembly	11-6
Sieve Screen Frame	11-7

NRPS-200 Rotary Sieve

See Figure 11-1. For complete parts lists refer to manual 1025254.

Item	Part	Description	Note
NRPS-200 Sieves			
1	1025043	Sieve, 230/460 V, 60 Hz	
1	- - - - -	Sieve, 200/400 V, 60 Hz	
1	1025045	Sieve, 200/400 V, 50 Hz	
1	1025046	Sieve, 380 V, 60 Hz	
1	1025047	Sieve, 380 V, 50 Hz	
1	1025048	Sieve, 575 V, 60 Hz	
Motors			
1	226680	Motor, 230/460 V, 60 Hz	
1	226693	Motor, 200/400 V, 60 Hz	
1	226694	Motor, 200/400 V, 50 Hz	
1	226691	Motor, 380 V, 60 Hz	
1	226692	Motor, 380 V, 50 Hz	
1	226689	Motor, 575 V, 60 Hz	
Screens			
8	226674	Screen, sieve, NPRS, 60 mesh	A
8	247736	Screen, 20 mesh, (optional)	
8	226673	Screen, 40 mesh, (optional)	
8	226675	Screen, 80 mesh, (optional)	
8	226676	Screen, 100 mesh, (optional)	
8	248849	Screen, 120 mesh, (optional)	
NOTE A: Standard screen, shipped with sieve.			
			<i>Continued...</i>

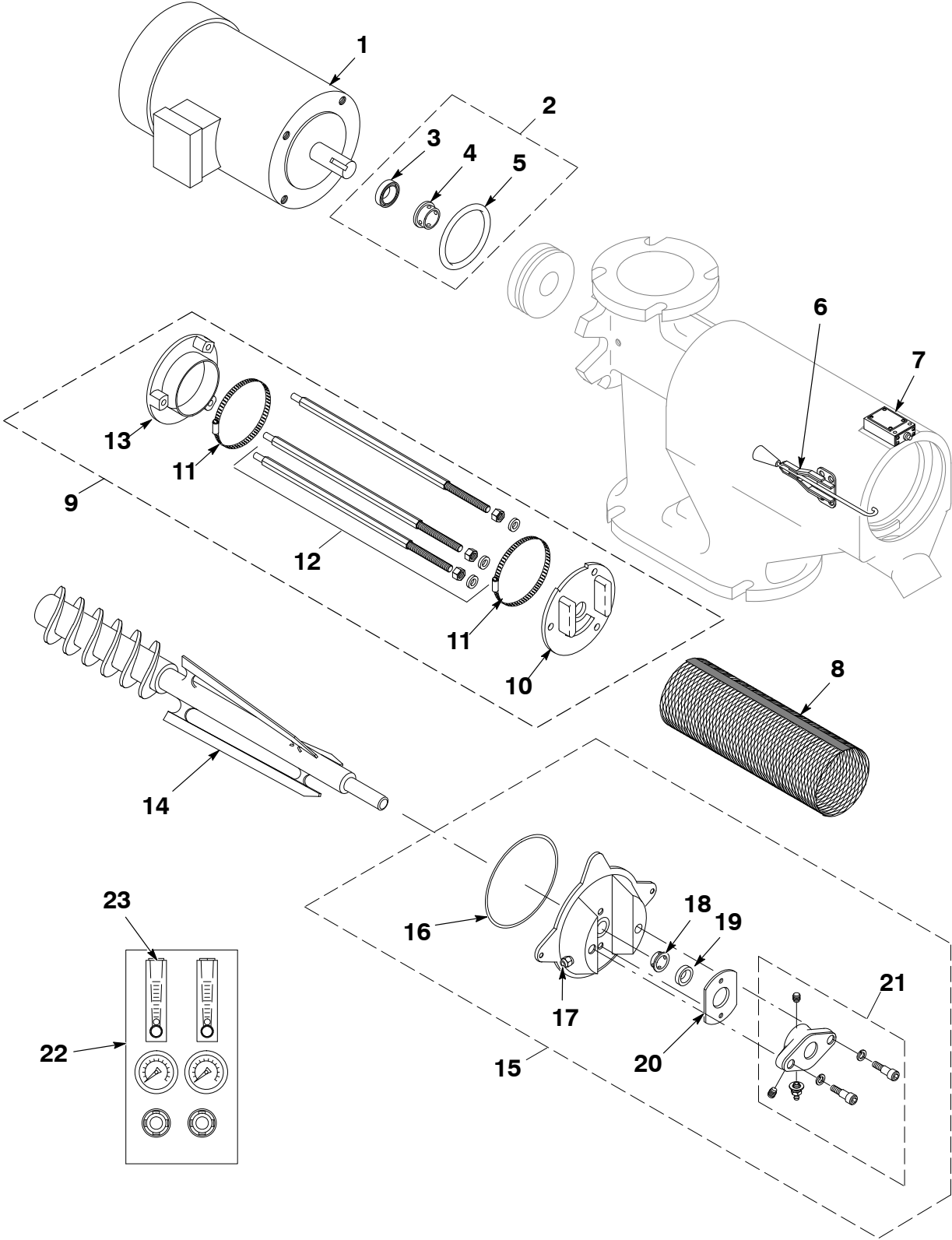


Figure 11-1 NRPS-200 Rotary Sieves

NRPS-200 Rotary Sieve (contd)

See Figure 11-1. For complete parts lists refer to manual 1025254.

Item	Part	Description	Note
Other Hardware			
2	1017351	Kit, insert, motor	
3	226695	• Seal, lip, PTFE	
4	226681	• Ring, lantern, brass	
5	941430	• O-ring, Buna-N	
6	226701	Clamp, pull action,	
7	226696	Switch, limit,	
9	226704	Screen, frame assembly	
10	247740	• Ring, outer screen	
11	247738	• Clamp, worm gear, #48	
12	247739	• Rod assembly	
13	247737	• Ring, inner screen	
14	1025040	Rotor, assembly	
15	1025041	End door assembly	
16	942510	• O-ring, silicone	
17	971100	• Connector, male	
18	226681	• Ring, lantern, brass	
19	226695	• Seal, lip, PTFE	
20	226687	• End cover	
21	1025049	• Bearing, external, end door	
22	226703	Service kit, air volume control	B
23	226699	• Flow meter with brass valve	
B: Required for sieve operation, must be ordered separately.			

AZO Rotary Sieve

End Cap Assembly

See Figure 11-2.

Item	Part	Description	Note
1	339276	Pipe, union/air connector fitting, E240 drive unit	
2	174635	Seal, lip, shaft, E240/360	
3	174642	Sleeve, bearing, E240	
4	1066756	Screw set M6 x 10	
5	1033055	Shaft extension	
6	339217	Nipple, grease, drive unit	
7	174639	Bearing, flange	
8	1040357	Cover-front housing	

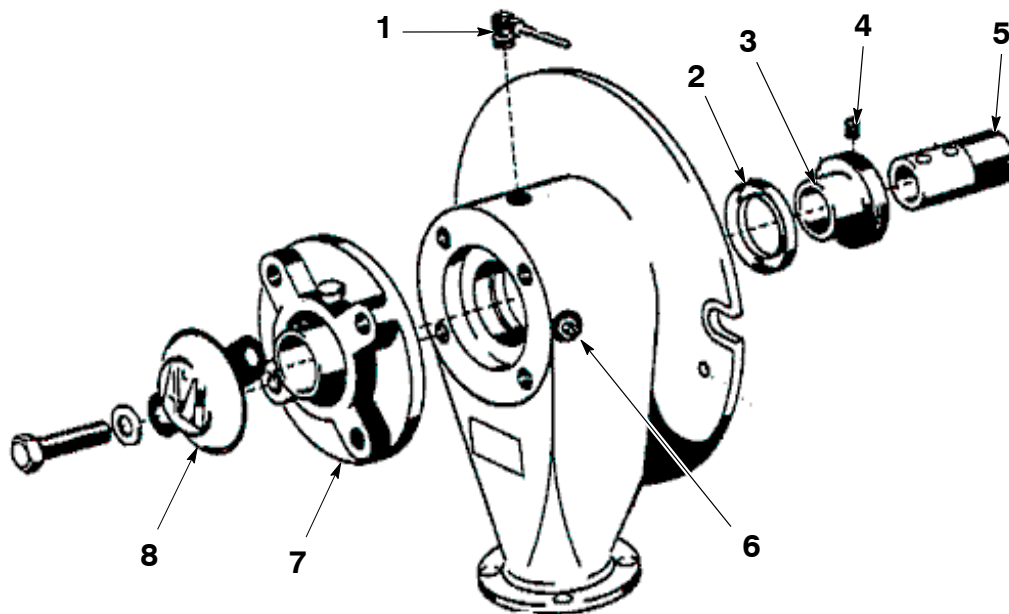


Figure 11-2 AZO Rotary Sieve – End Cap Assembly

Steel Shaft Assembly

See Figure 11-3.

Item	Part	Description	Note
—	184067	Rotor, assembly	
1	339274	• Replacement key	
2	339275	• Screw, countersunk	
3	174636	• Seal, V ring	
4	339139	• Clamp, hose	
5	174638	• Baffle, plate	

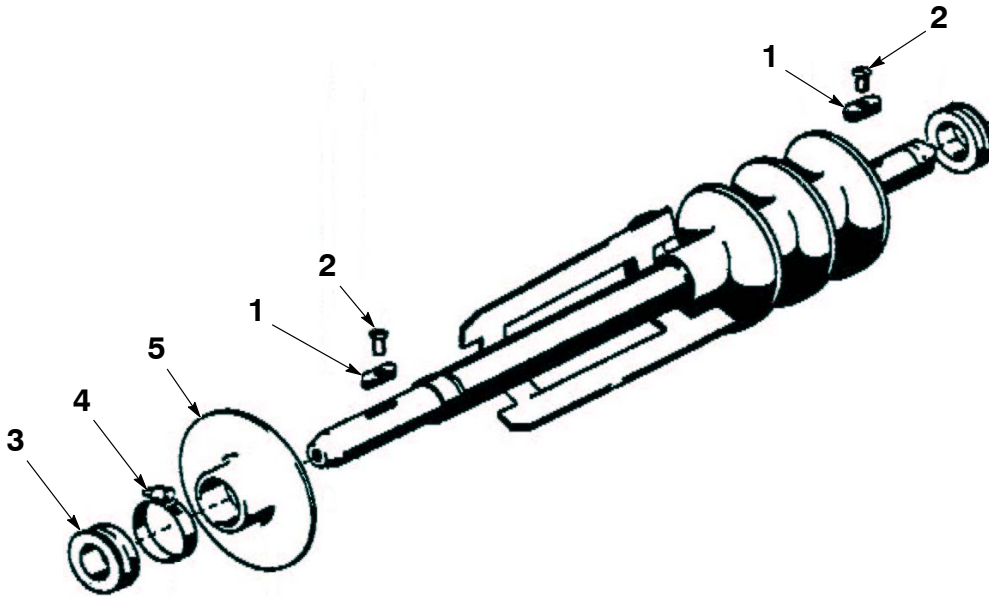


Figure 11-3 AZO Rotary Sieve – Steel Shaft Assembly

Sieve Screen Frame

See Figure 11-4.

Item	Part	Description	Note
1	174617	Screen, 20 mesh	
1	174618	Screen, 40 mesh	
1	168213	Screen, 60 mesh	
1	174619	Screen, 70 mesh	
1	174620	Screen, 80 mesh	
1	174621	Screen, 100 mesh	
1	174622	Screen, 120 mesh	
1	174623	Screen, 140 mesh	
1	174627	Screen, 150 mesh	
2	339256	Nut, hex	
3	339257	M8 washer	
4	339258	Hose clamp	
5	339259	Cover nut	

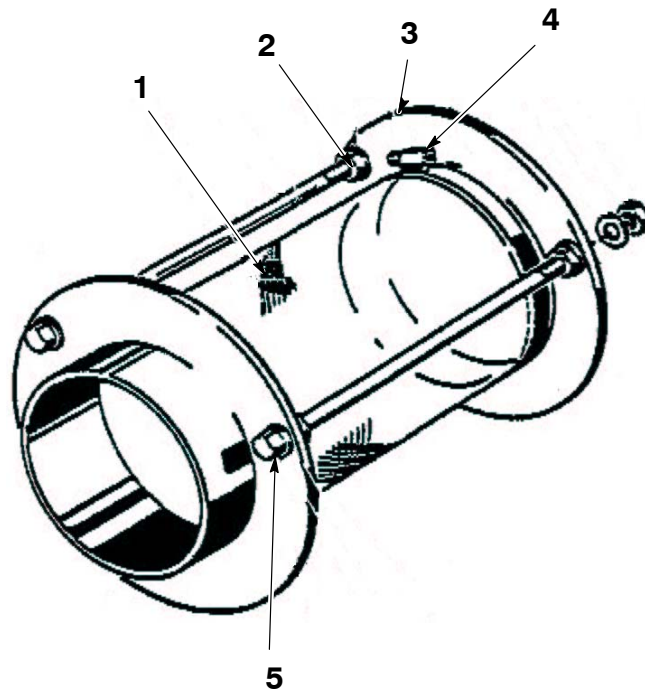


Figure 11-4 AZO Rotary Sieve – Sieve Screen Frame

Section 12

Powder Feed Centers

NOTE: For complete parts lists refer to individual component manuals:

1602966 Encore Powder Feed Center
1604407 Encore HD Powder Feed Center

Encore Powder Feed Center	12-2
Powder Feed Center Parts	12-2
Lift Assembly Parts	12-4
Lance Assembly Parts	12-6
Basic Lance Parts	12-6
Fluidizing Latch Block Kits	12-7
Lance Port Plug Module	12-8
Level Sensor Module	12-9
Prodigy/Encore HD Siphon Tube Module	12-10
Purge Manifold and Pneumatics	12-12
Purge Manifold Assembly	12-12
Purge Valve Assembly – One Lance Configuration	12-14
Purge Valve Assembly – Two Lance Configuration	12-15
Purge Valve Assembly – Three Lance Configuration	12-16
Purge Valve Module Parts	12-17
Pneumatic Module Parts	12-18
Hopper Platform and Vibrator Parts	12-20
Pneumatic Damper Parts	12-22
Sieve and Mounting Parts	12-23
Replacement Parts for Non-CE/ATEX Sieve 1	12-23
Replacement Parts for Non-CE/ATEX Sieve 2	12-25
Powder Hose and Air Tubing Bulkhead Fittings	12-27
Other Service Parts	12-28
Powder Transfer Tubing and Grommets	12-28
Air Tubing and Fittings	12-28
Feed Hoppers	12-28
Fittings for Transfer Pump Air	12-28
Encore HD Powder Feed Center	12-29
Front View Parts	12-29
Top View Parts	12-30
Right Side Parts	12-31
Pneumatic Module Parts	12-32
Lance Assemblies	12-33
Lance Bracket Parts	12-34
Sieve Parts	12-35
Sieve and Mounting Parts	12-36
Replacement Parts for Non-CE/ATEX Sieve 1	12-36
Replacement Parts for Non-CE/ATEX Sieve 2	12-38
Pneumatic Damper Parts	12-40
Other Service Parts	12-41
Powder Transfer Tubing and Grommets	12-41
Air Tubing and Fittings	12-41
Feed Hoppers	12-41

Encore Powder Feed Center

Powder Feed Center Parts

See Figure 12-1.

Item	Part	Description	Quantity	Note
-	-----	Encore Powder Feed Center Assembly	1	
1	1602304	<ul style="list-style-type: none">Regulator, air, 0.02 - 0.2 MPA, with gage	2	
2	1602947	<ul style="list-style-type: none">Kit, blowoff gun, Encore PFC	1	
3	1086213	<ul style="list-style-type: none">Union, bulk, KQ2E16-00, 16 mm	3	
4	1091201	<ul style="list-style-type: none">Tube, polyurethane, 16 mm OD	9	
5	1066079	<ul style="list-style-type: none">Grommet, 3/8" lip style	3	
6	249461	<ul style="list-style-type: none">Socket, F, 8, 10 tube, pneumatic	6	
7	1099946	<ul style="list-style-type: none">Plug, M, 8, 10 tube, pneumatic	6	

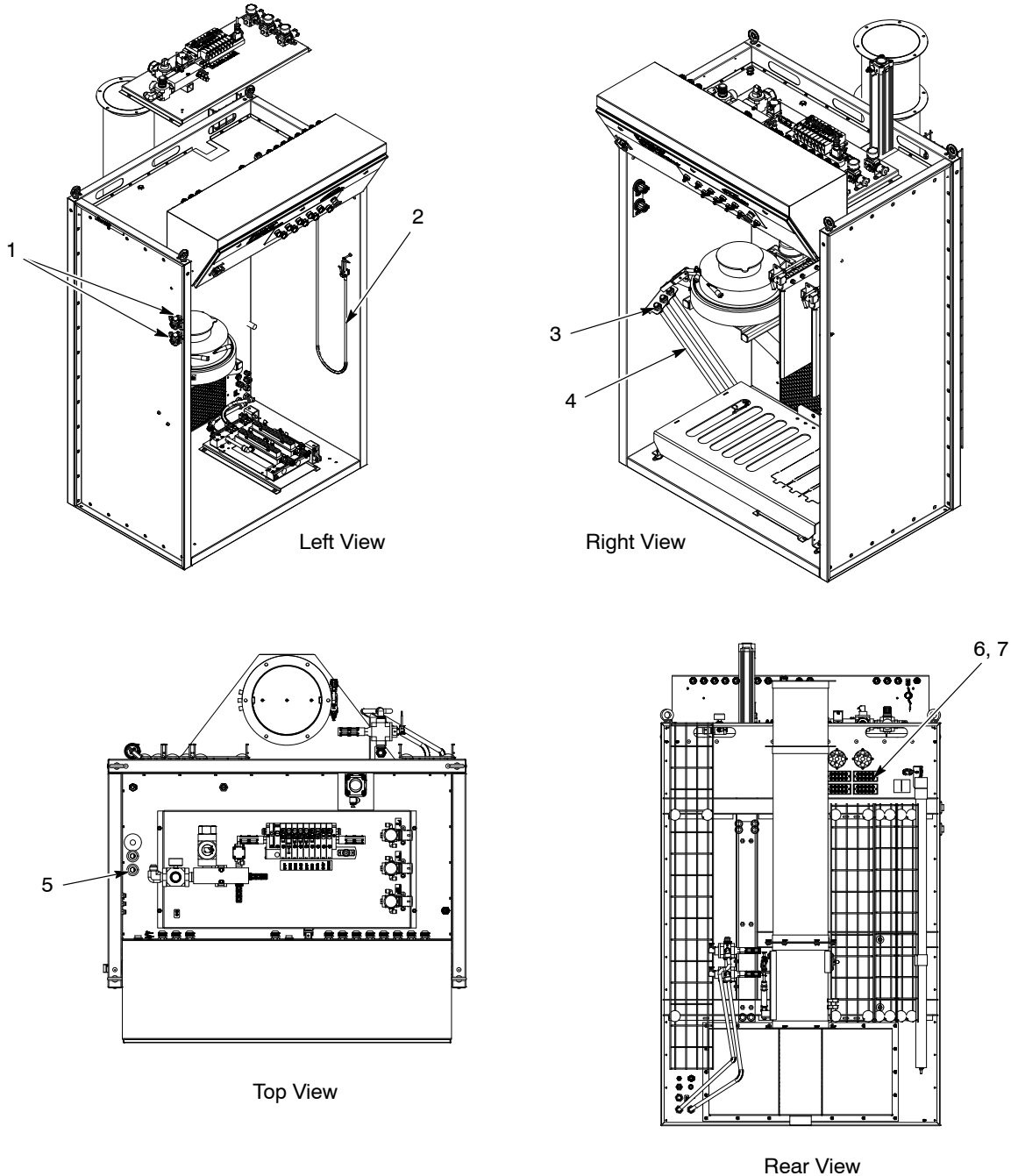


Figure 12-1 Powder Feed Center Parts

Lift Assembly Parts

See Figure 12-2.

Item	Part	Description	Quantity	Note
-	-----	Lift Module	1	
1	1602289	• Guide, V linear, feed center	1	
2	1602290	• Plate, 3, lift carriage, with wheels	1	
3	-----	• Trunnion support block	1	
4	-----	• Plate, lift stop	1	
5	1602292	• Bearing, IGUS	2	
6	345439	• Screw, socket, M16 x 2.0 x 50, zinc	1	
7	984697	• Nut, hex, jam, M16 x 2.0, steel, zinc	1	
8	1602342	• Screw, socket, M8 x 1.25 x 75, zinc	4	
9	982160	• Screw, socket, M8 x 1.25 x 25, zinc	4	
10	1602802	• Screw, socket, M10 x 1.50 x 20, steel, zinc	6	
11	982926	• Screw, socket, M8 x 12, steel, zinc	2	
-	-----	Lift Cylinder Module	1	
12	1602294	• Cylinder, locking, 63 x 600 mm, Festo	1	
13	-----	• Clevis, Festo rod, M16	1	
14	1603063	• Valve, flow control, .38 Rc x 6 T, meter out	2	
15	1103505	• Switch, cylinder proximity	3	
16	972837	• Elbow, male, 6 mm tube x 1/8 BSPT	1	
17	-----	• Trunnion flange, Festo	1	
18	982160	• Screw, socket, M8 x 1.25 x 25, zinc	4	

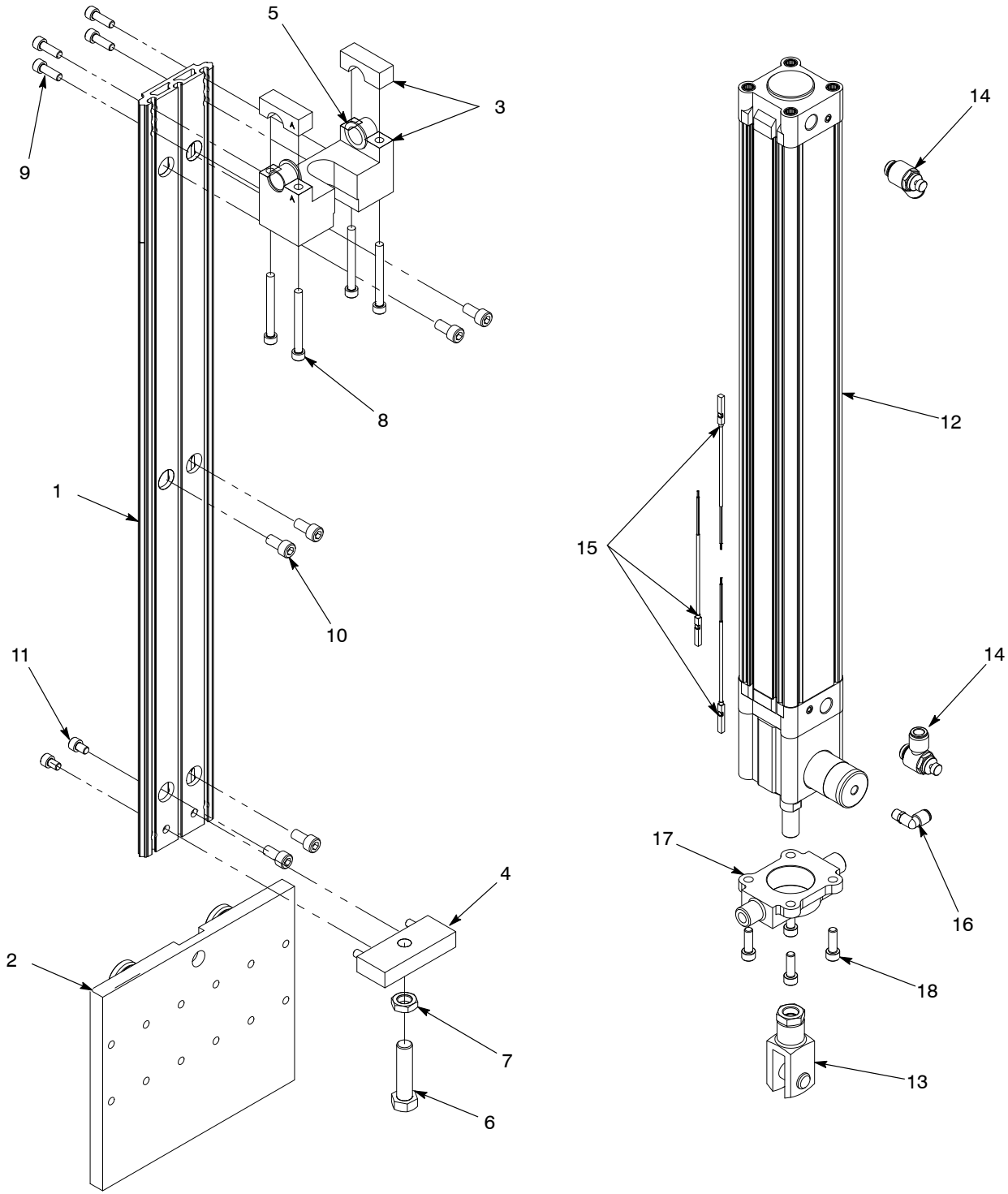


Figure 12-2 Lift Assembly Parts

Lance Assembly Parts

Basic Lance Parts

See Figure 12-3. For a complete lance assembly, order either a fluidizing or non-fluidizing latch block module listed on the following pages.

Item	Part	Description	Quantity	Note
-	1099893	Lance assembly, global PFC	1	
1	1099891	• Rod, pump retaining	1	
2	-----	• Nut, hex, acorn, M8	4	
3	-----	• Washer, lock, split, M8, steel, zinc	4	
4	-----	• Washer, flat, regular, M8, steel, zinc	8	
5	-----	• Screw, hex, cap, M8 x 1.24, 50, F.T	4	
6	-----	• Washer, lock, external, M5, steel, zinc plate	2	
7	-----	• Screw, hex, serrated, M5 x 12, steel, zinc	1	
8	-----	• Screw, socket, M10 x 25 mm	4	
9	-----	• Washer, lock, split, M8, steel, zinc	4	
10	1095926	Pump assembly, corona, Encore Gen II, pkg	AR	A

NOTE A: Refer to pump manual for repair parts. Pumps must be ordered separately.
AR: As Required

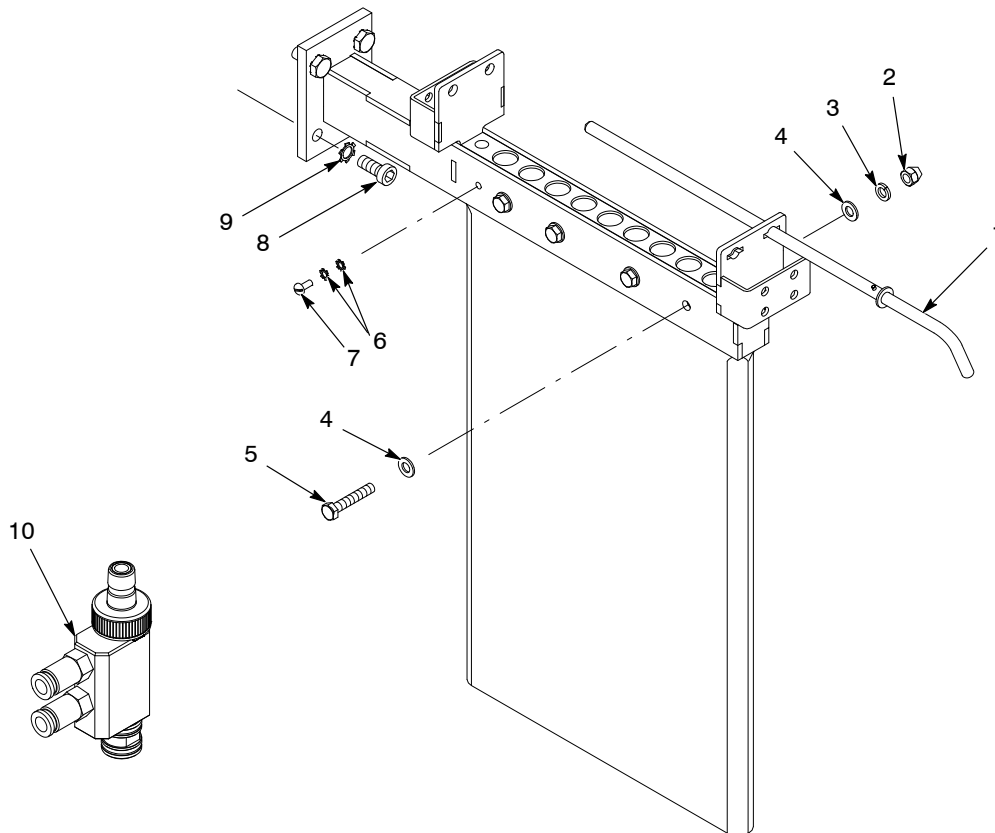


Figure 12-3 Basic Lance Assembly Parts

Fluidizing Latch Block Kits

See Figure 12-4. Use these kits to fluidize the powder around the lance assembly. These kits are typically used with non-fluidized powder sources such as boxes.

Item	Part	Description	Quantity	Note
1	1102803	Kit, fluidizing manifold, PFC	1	
1A	-----	• Connector, male, 6 mm tube x 1/4 BSPT	1	
1B	-----	• Nut, adapter, lance air tube	1	
1C	941113	• O-ring, silicone, 0.424 in. ID x 0.103 in. wide	2	
1D	-----	• Nut, air passage blanking	1	
1E	-----	• Sleeve, locating, global PFC lance	2	
2	1102804	Kit, fluidizing tube, PFC	1	
2A	940142	• O-ring, silicone, 0.489 in. ID x 0.07 in. wide	4	
2B	-----	• Tube, fluidizing, stainless steel	2	

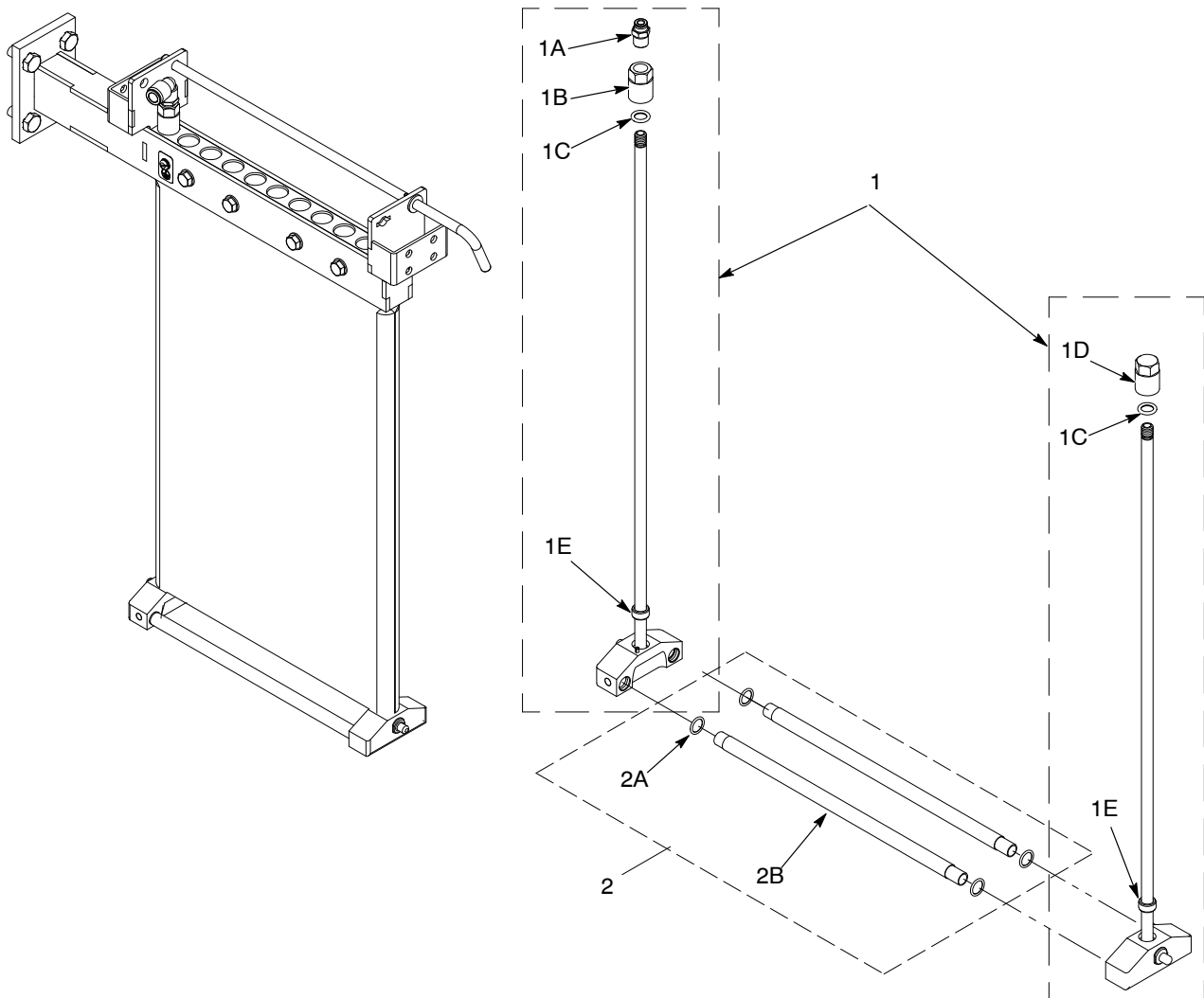


Figure 12-4 Fluidizing Latch Block Module Parts

Lance Port Plug Module

See Figure 12-5. Use this module to plug unused lance ports. The module includes all the parts shown.

Item	Part	Description	Quantity	Note
-	1100097	Module, plug, lance assembly port	1	
1	-----	• Nut, hex, acorn, M8	1	
2	-----	• Nut, hex, M8, steel, zinc	1	
3	-----	• Washer, sealing, lance plug, global PFC	1	
4	-----	• Sleeve, lance plug, global PFC	1	
5	-----	• Rod, threaded, lance plug, GPFC		
6	-----	• Plug, lance, global PFC	1	
7	-----	• Screw, set, cup point, M12 x 1.75, 12mm long, stainless steel	1	

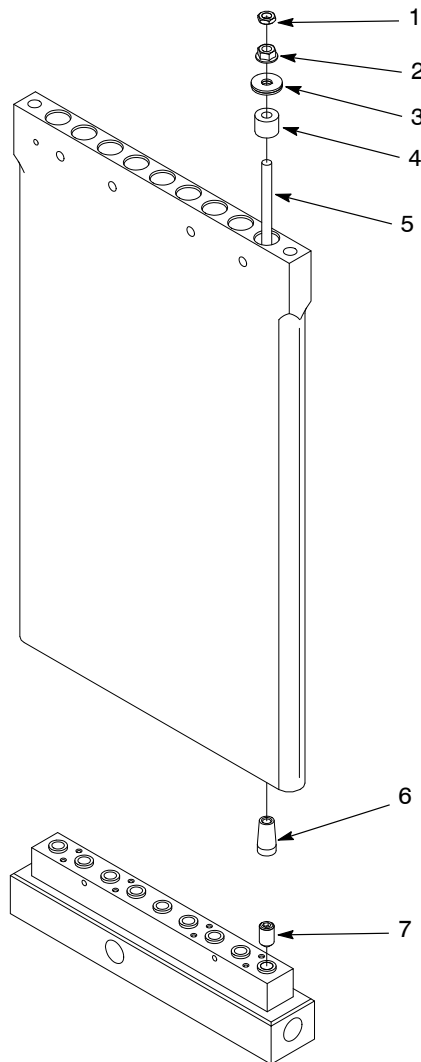


Figure 12-5 Lance Port Plug Module Parts

Level Sensor Module

See Figure 12-6. Use this module for the lance-mounted level sensor used in North America and Asia.

Item	Part	Description	Quantity	Note
-	1100078	Module, level sensor, North America and Asia	1	
1	1014553	• Sensor, level, quick disconnect, M12	1	
2	1023925	• Cable, 4 pin, M12 connector, 5 meters long	1	
3	-----	• Screw, socket, M5 x 16, zinc	2	
4	-----	• Nut, lock, M5	2	
5	-----	• Bracket, level sensor	1	
6	1100076	• Support, 16 mm shaft, clamping	1	

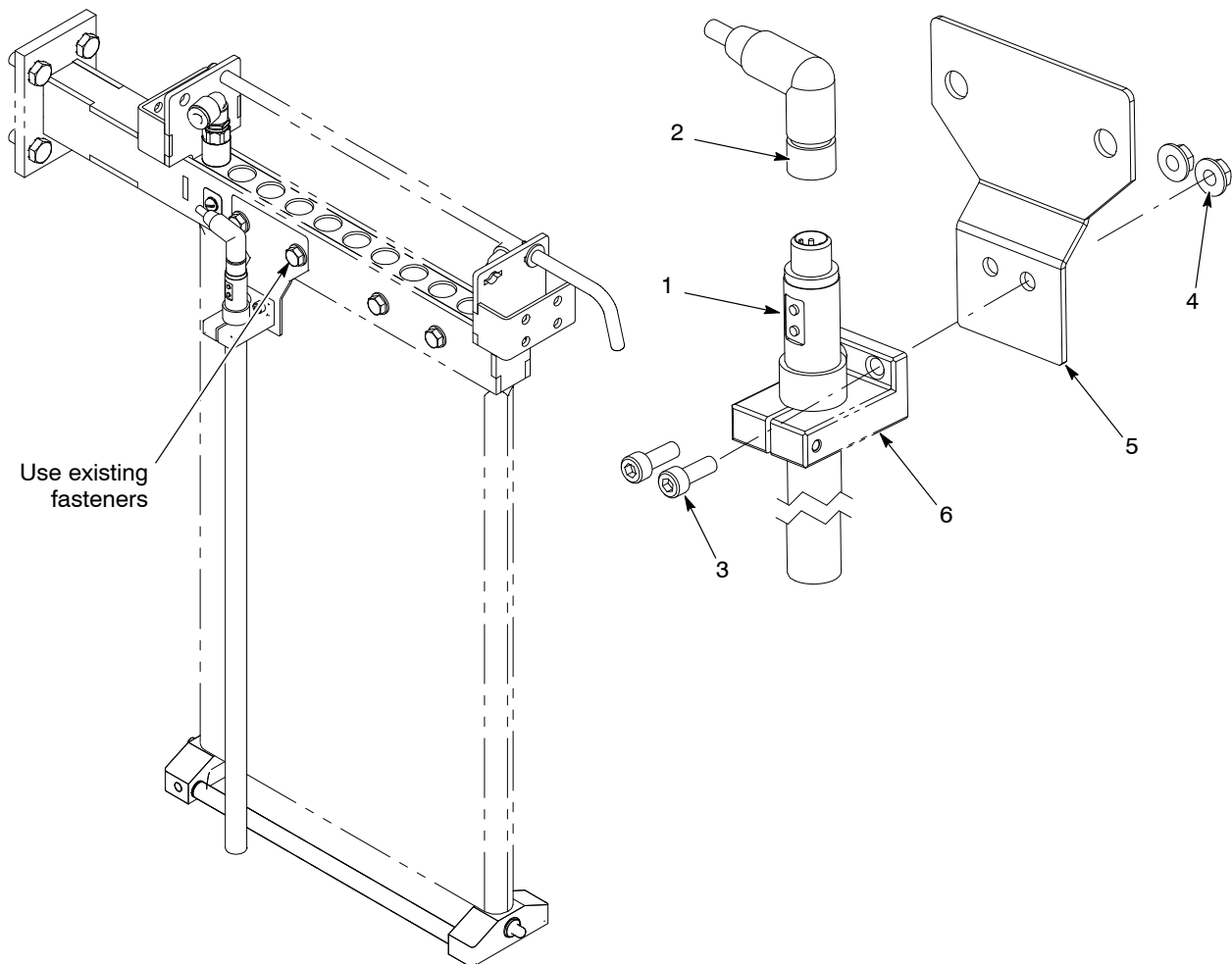


Figure 12-6 Level Sensor Module Parts

Prodigy/Encore HD Siphon Tube Module

See Figure 12-7. Use this module to provide powder to Prodigy or Encore HD manual guns through 8-mm tubing.

Item	Part	Description	Quantity	Note
-	1100131	Module, global PFC	1	
1	1100137	<ul style="list-style-type: none">Siphon tube, global PFC	1	
2	-----	<ul style="list-style-type: none">Screw, cap, button head socket, M4, 10 mm, steel, zinc plated	2	
3	-----	<ul style="list-style-type: none">Holder, tool, spring type	2	
4	-----	<ul style="list-style-type: none">Nut, lock, nylon, M4 steel, zinc	2	
5	-----	<ul style="list-style-type: none">Bracket, siphon, global PFC	1	

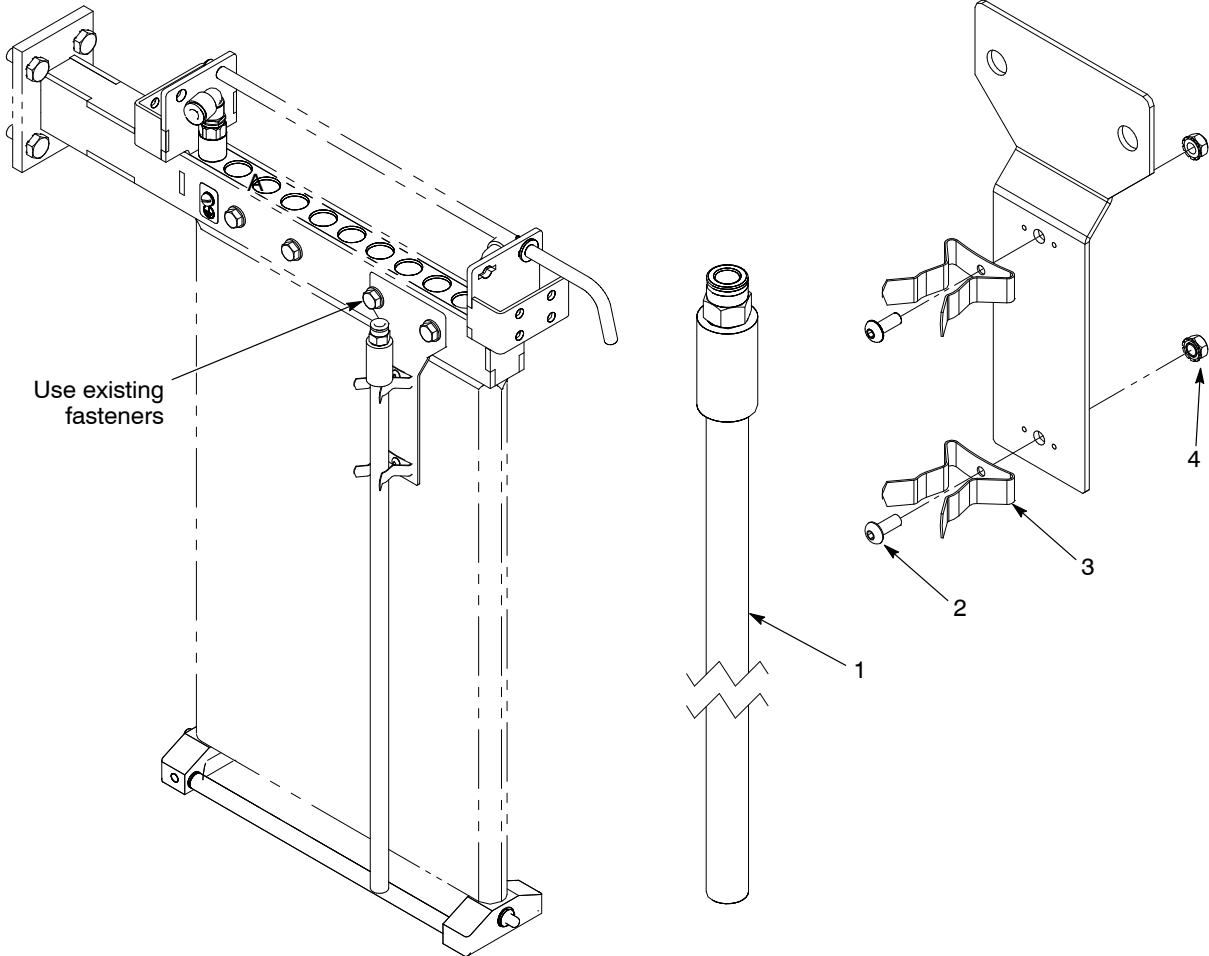


Figure 12-7 Prodigy/Encore HD Siphon Tube Module Parts

Purge Manifold and Pneumatics

Purge Manifold Assembly

See Figure 12-8. Quantities listed as As Required are dependent on the number of purge manifolds.

Item	Part	Description	Quantity	Note
1	1100045	Cylinder, air, 40 x 160, Festo	1	A
2	1103505	Switch, cylinder proximity	2	
3	1103935	Bracket, sensor, Festo DSEU40	2	
4	-----	Adapter, cylinder to clevis	1	
5	-----	Pin, roll, M10 x 40	1	
6	-----	Screw, set, M6 x 6, cup, steel	1	
7	-----	Clevis, cylinder, 12mm, Festo	2	
8	1103934	Fitting, flow control, 1/8G	2	
9	-----	Manifold, purge, global PFC	AR	
10	1100024	• Quad ring, 208 silicone	9	
11	1100023	• Guide, lance, global PFC	2	
12	-----	Screw, flat head, M8 x 16 mm, black	4	
13	1100036	Bearing, 14 mm, plain, flanged	4	
14	-----	Lever, purge lock, Spectrum PFC	2	
15	1100025	Latch, complete, 890N, modified	AR	
16	1100028	• Pawl, latch, global PFC	AR	
17	-----	Shaft, 8 mm hex, 3 manifold	2	
18	-----	Screw, button head, socket, M5 x 10, zinc	AR	
19	-----	Screw, socket, M8 x 40, zinc, full thread	4	
20	-----	Washer, flat, regular, M8, steel, zinc	4	
21	-----	Sleeve, spacing, manifold plate	4	
22	-----	Screw, socket, M8 x 16mm, zinc	AR	
23	-----	Spacer, purge bracket, dampening	4	
24	-----	Elbow, push in, 0.50 RPT x 16 mm tube	AR	
25	-----	Washer, lock, internal/external tooth, 5/16 in.	AR	
26	-----	Screw, pan, slotted, M5 x 20, brass	2	
27	-----	Washer, lock, external, M5, steel, zinc	4	
28	-----	Tag, ground	2	
29	1034207	Jumper, ground, 12 in.	1	
30	-----	Washer, flat, M5, brass	4	

NOTE A: Cylinder only.
AR: As Required

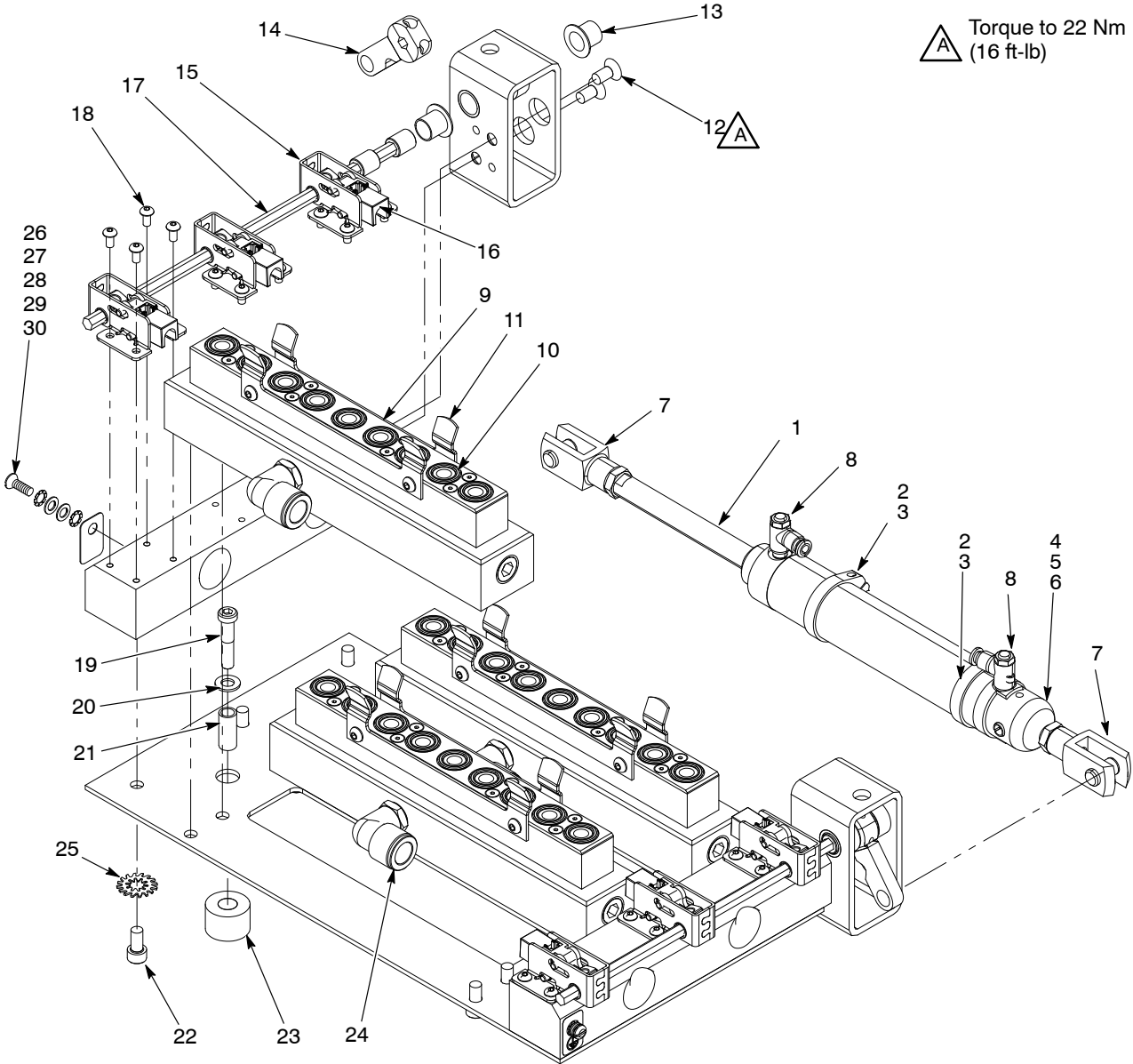


Figure 12-8 Purge Manifold Module Parts

Purge Valve Assembly – One Lance Configuration

See Figure 12-9.

Item	Part	Description	Quantity	Note
1	-----	Nipple, pipe, std, R.5, close	1	
2	-----	Elbow, push in, 0.5 RPT x 16 mm tube	1	
3	972770	Tube fitting, conn., M, 37 degree, 3/4 T, 1/2 NPT	1	
4	-----	Tee, pipe, 1/2 BSPT, black	1	
5	1100283	Valve, solenoid, air, 2 x 3, G.5	1	
6	-----	Bracket, purge valve	1	
7	-----	Screw, hex, serrated, M5 x 12, steel, zinc	2	
8	-----	Plug, pipe, socket, flush, R 1/2	1	
9	1100286	Cable, valve, purge	1	
10	1102678	Silencer, air, 3/8 Rc	1	
11	1603537	Screw, hex,serrated, M6 X 16, steel, zinc	1	
12	1097321	Nut, hex, flanged, serrated, M6	1	

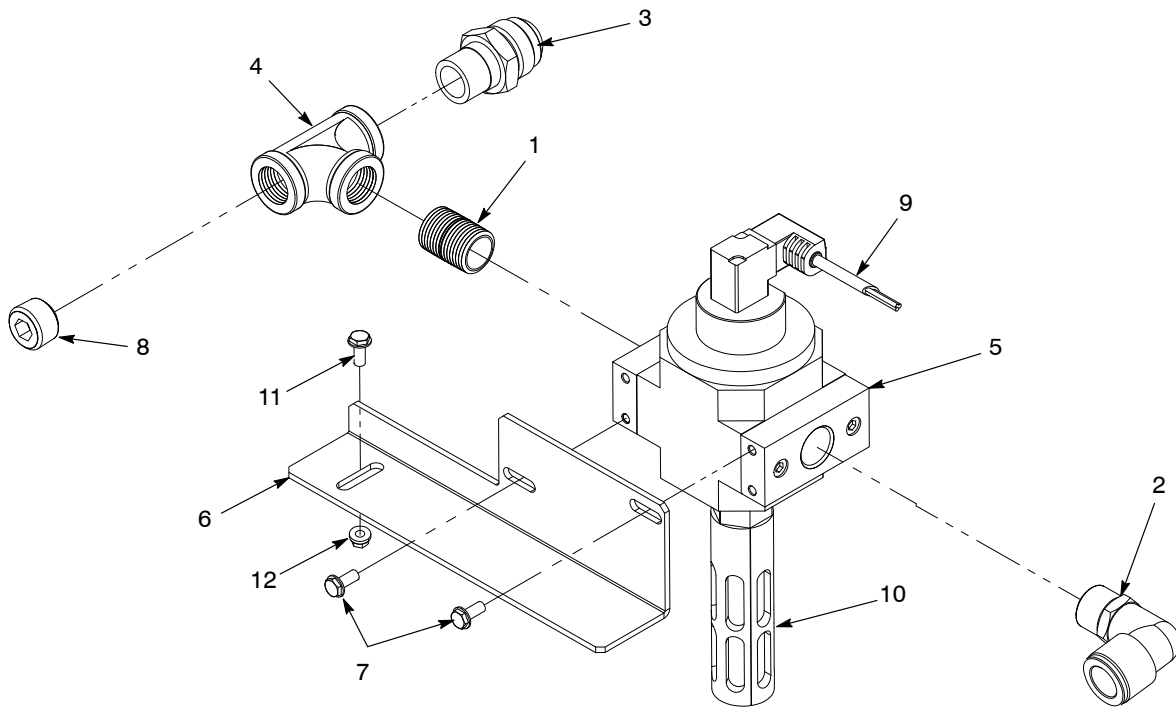


Figure 12-9 Purge Valve Assembly – One Lance Configuration

Purge Valve Assembly – Two Lance Configuration

See Figure 12-10.

Item	Part	Description	Quantity	Note
1	-----	Nipple, pipe, std, R.5, close	2	
2	-----	Elbow, push in, 0.5 RPT x 16 mm tube	2	
3	972770	Tube fitting, conn., M, 37 degree, 3/4 T, 1/2 NPT	1	
4	-----	Tee, pipe, 1/2 BSPT, black	2	
5	1100283	Valve, solenoid, air, 2 x 3, G.5	2	
6	-----	Bracket, purge valve	2	
7	-----	Screw, hex, serrated, M5 x 12, steel, zinc	4	
8	-----	Plug, pipe, socket, flush, R 1/2	1	
9	1100286	Cable, valve, purge	2	
10	1102678	Silencer, air, 3/8 Rc	2	
11	-----	Nipple, pipe, std, R1/2 x 3 long	1	
12	1603537	Screw, hex,serrated, M6 X 16, steel, zinc	2	
13	1097321	Nut, hex, flanged, serrated, M6	2	

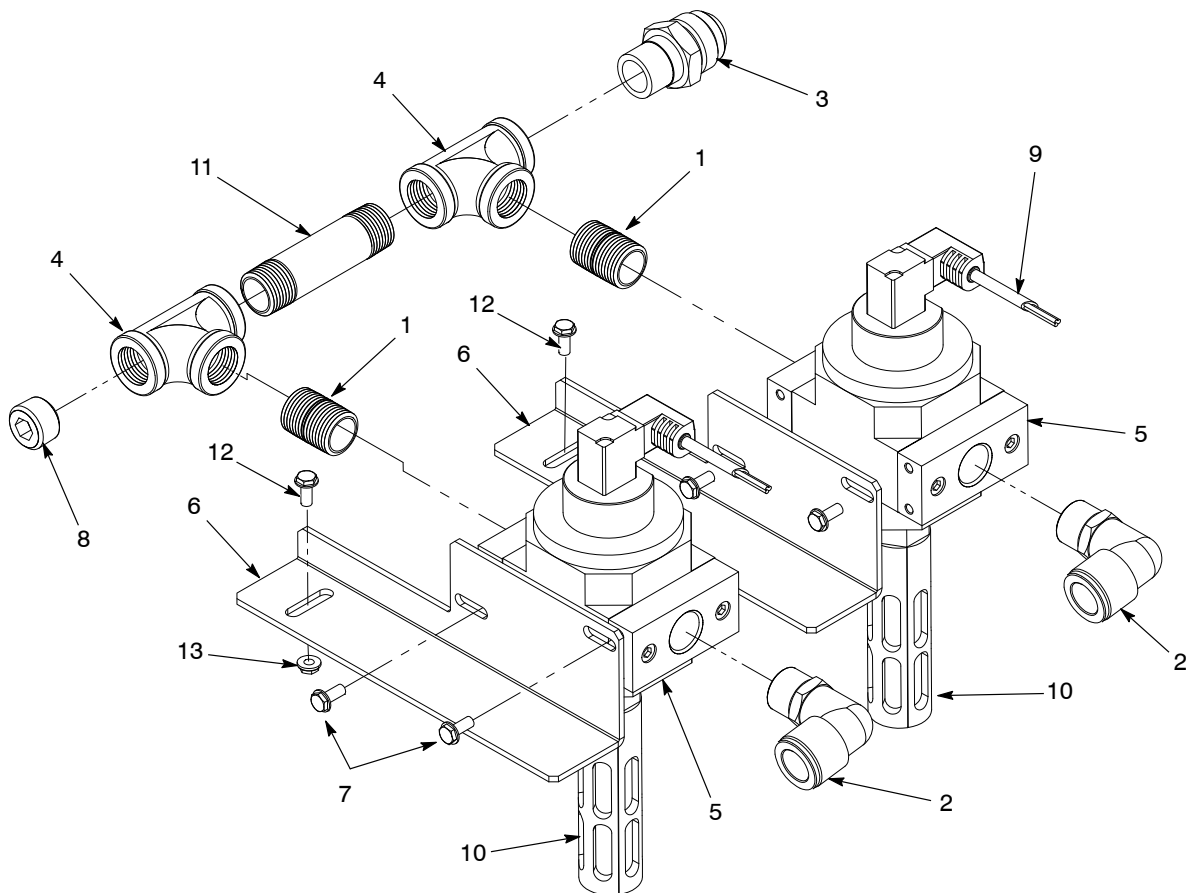


Figure 12-10 Purge Valve Assembly – Two Lance Configuration

Purge Valve Assembly – Three Lance Configuration

See Figure 12-11.

Item	Part	Description	Quantity	Note
1	-----	Nipple, pipe, std, R.5, close	3	
2	-----	Elbow, push in, 0.5 RPT x 16 mm tube	3	
3	972770	Tube fitting, conn., M, 37 degree, 3/4 T, 1/2 NPT	1	
4	-----	Tee, pipe, 1/2 BSPT, black	3	
5	1100283	Valve, solenoid, air, 2 x 3, G.5	3	
6	-----	Bracket, purge valve	2	
7	-----	Screw, hex, serrated, M5 x 12, steel, zinc	4	
8	-----	Plug, pipe, socket, flush, R 1/2	1	
9	1100286	Cable, valve, purge	3	
10	1102678	Silencer, air, 3/8 Rc	3	
11	-----	Nipple, pipe, std, R1/2 x 3 long	2	
12	1603537	Screw, hex,serrated, M6 X 16, steel, zinc	2	
13	1097321	Nut, hex, flanged, serrated, M6	2	

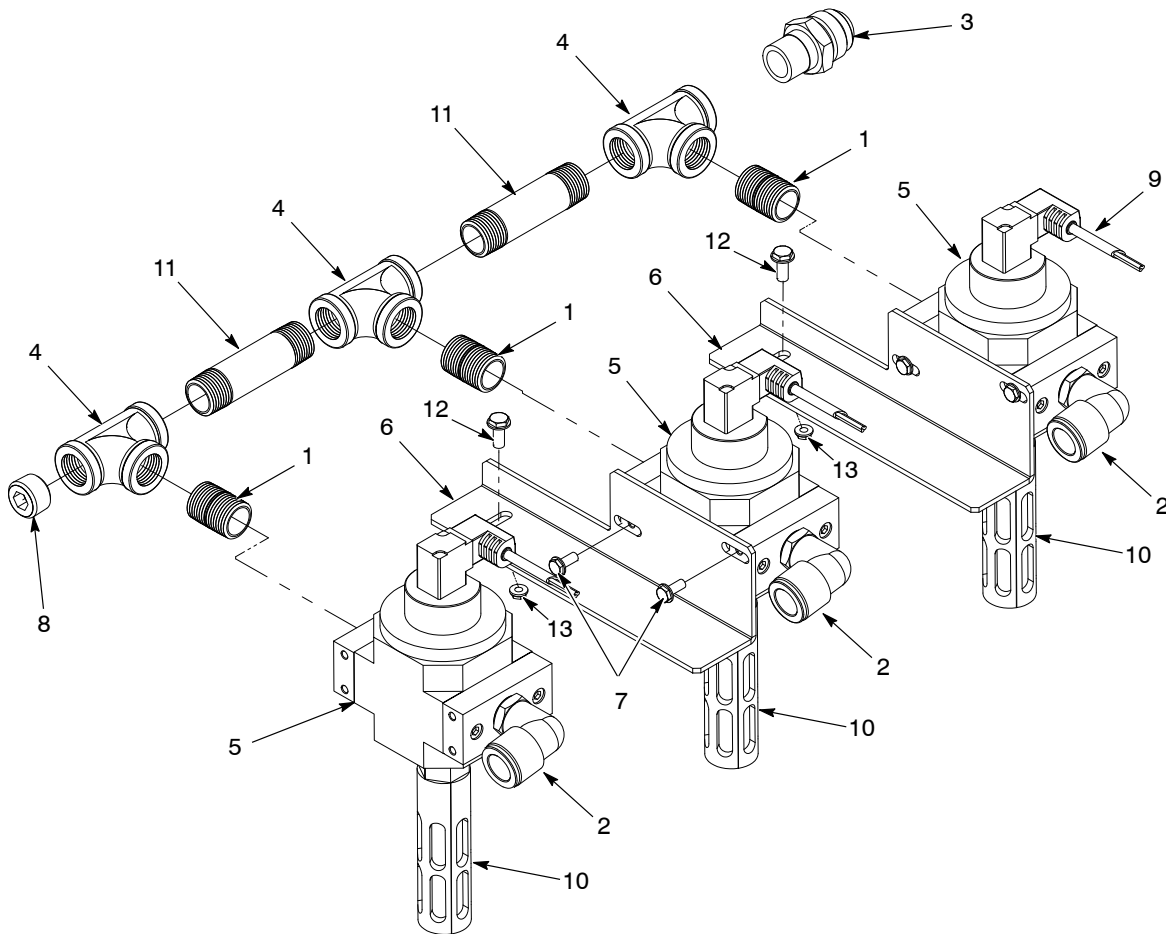


Figure 12-11 Purge Valve Assembly – Three Lance Configuration

Purge Valve Module Parts

See Figure 12-12.

Item	Part	Description	Quantity	Note
1	1604501	Union, bulk, KQ2E16-00 16 mm tube	3	
2	-----	Grip, cord, 2X, 2.5-3 mm, 3/8 in. NPT, Nylon	AR	
3	-----	Grip, cord, 2X, 5-6 mm, 1/2 in. NPT, Nylon	AR	
4	-----	Elbow, plug in, 16 mm T x 16 mm T	3	

AR: As Required

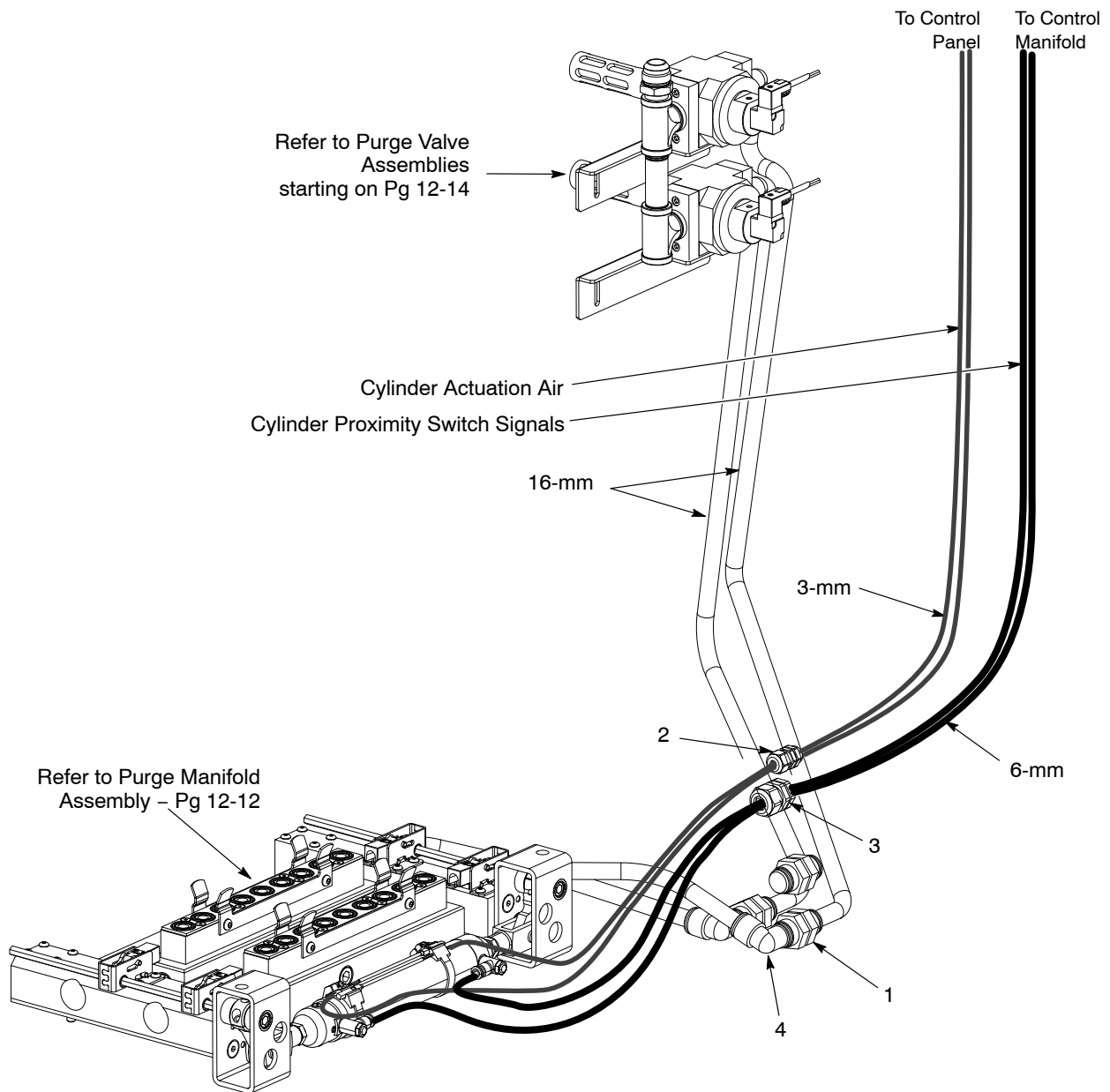


Figure 12-12 Purge Valve Module Parts

Pneumatic Module Parts

See Figure 12-13. Refer to the 11 x 17 foldouts at the end of the component manual for the pneumatic diagram.

Item	Part	Description	Quantity	Note
1	1099413	Regulator, 0.3–7 bar, .25	3	
2	1604517	Elbow, male, 6 mm tube x 1/4 RPT	6	
3	1604516	Valve, 9-station, Encore PFC	1	
4	1099424	Valve, air, global PFC main interlock	1	
5	1100286	Cable, valve, purge	1	
6	1603975	Elbow, 1 in. BSPT x 3/4 JIC	1	
7	1102676	Gauge, air, 0–150 psi, rear 1/4 G thread	4	
8	1100285	Regulator, air, 1 in., 0.5–12 bar	1	
9	-----	Manifold, Encore PFC, pneumatic	1	
10	148256	Plug, 10 mm, tubing	2	
11	1099333	Elbow, 3 port, 10 mm tube x 3/8 R	2	
12	-----	Vent, breather, 3/8 BSPT, sintered	3	
13	1101992	Nipple, close, 1 in., (4788K416)	2	
14	241040	Muffler, air 1/8 NPT	1	
15	901074	Valve, airpilot, 2-way	1	
16	1604518	Elbow, 6mm tube x 1/8 RPT	1	

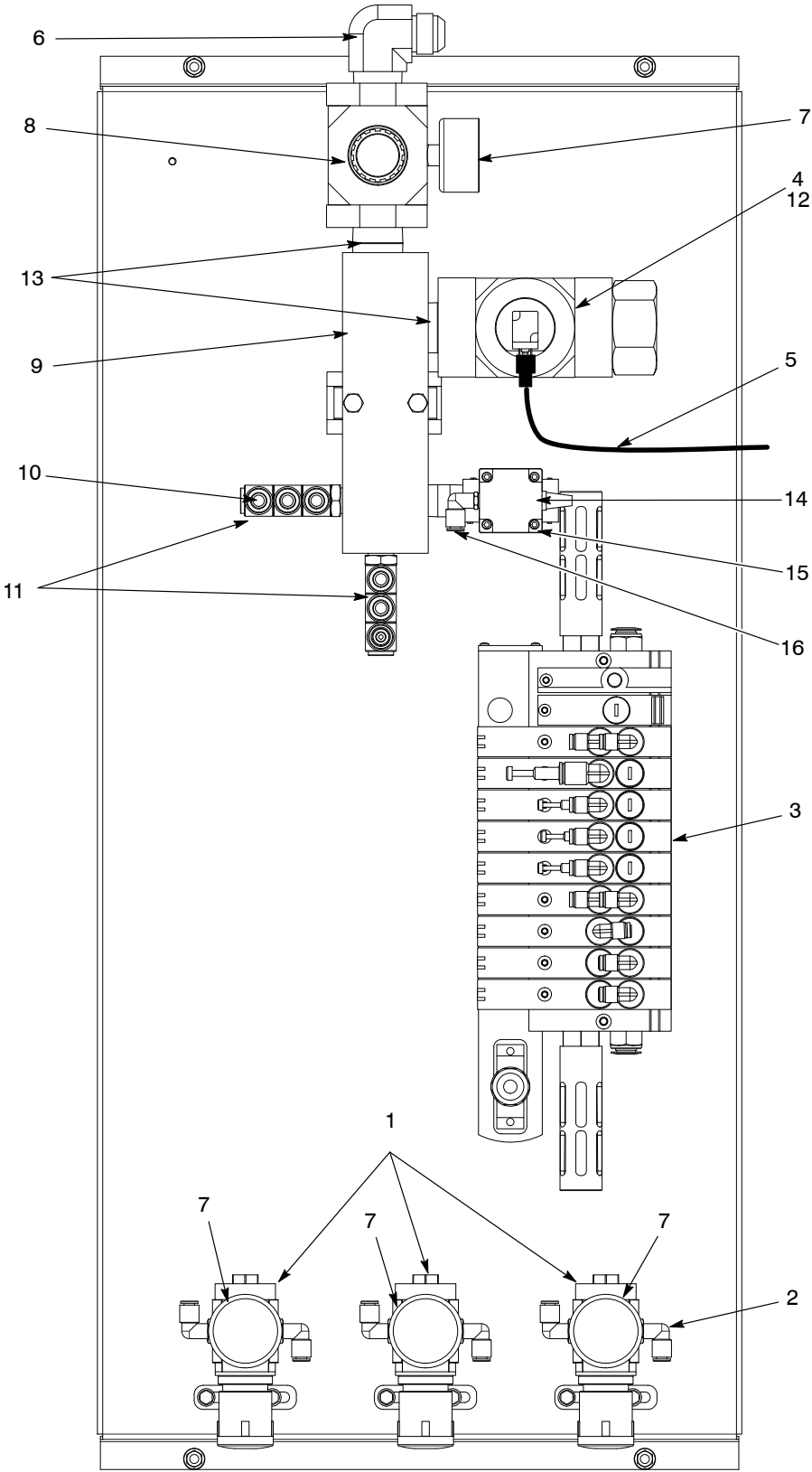


Figure 12-13 Pneumatic Module Parts

Hopper Platform and Vibrator Parts

See Figure 12-14.

Item	Part	Description	Quantity	Note
1	1602109	Vibrator, 230/460V, 3 phase, 60 Hz	1	A
1	1602896	Vibrator, 330/575V, 3 phase, 60 Hz	1	A
1	1602895	Vibrator, 200/400V, 3 phase, 50 Hz, ATEX	1	A
1	1602894	Vibrator, 220/380V, 3 phase, 50 Hz	1	A
1	1602893	Vibrator, 220/380V, 3 phase, 60 Hz	1	A
1	1602892	Vibrator, 240/415V, 3 phase, 50 Hz	1	A
2	-----	Screw, flat head, socket, M8 x 35, black	2	
3	-----	Screw, hex, serrated, M8 x 35, steel, zinc	2	
4	1099588	Mount, vibration, isolator	4	
5	-----	Screw, hex, serrated, M8 x 16, steel, zinc	8	
6	-----	Nut, hex, flanged, serrated, M8	8	
7	-----	Nut, hex, machine, M5, brass	1	
8	-----	Washer, lock, external, M5, steel, zinc	2	
9	-----	Jumper, ground, 12 in.	1	
10	-----	Tag, ground	1	
11	-----	Screw, pan head, slotted, M5 x 20, brass	1	
12	-----	Screw, hex, serrated, M6 x 16, steel, zinc	8	
13	-----	Strain relief, cable, 1/2 NPT	1	
14	-----	Cable, SO, 4C, 16 gauge	AR	
15	-----	Positioner, feed center hopper	2	
16	1068715	Washer, lock, dished, #10	1	

NOTE A: Check the identification plate on your existing motor before ordering. Before installing, verify the correct weight adjustment to ensure proper operation. Refer to the *Repair* section for instructions.

AR: As Required

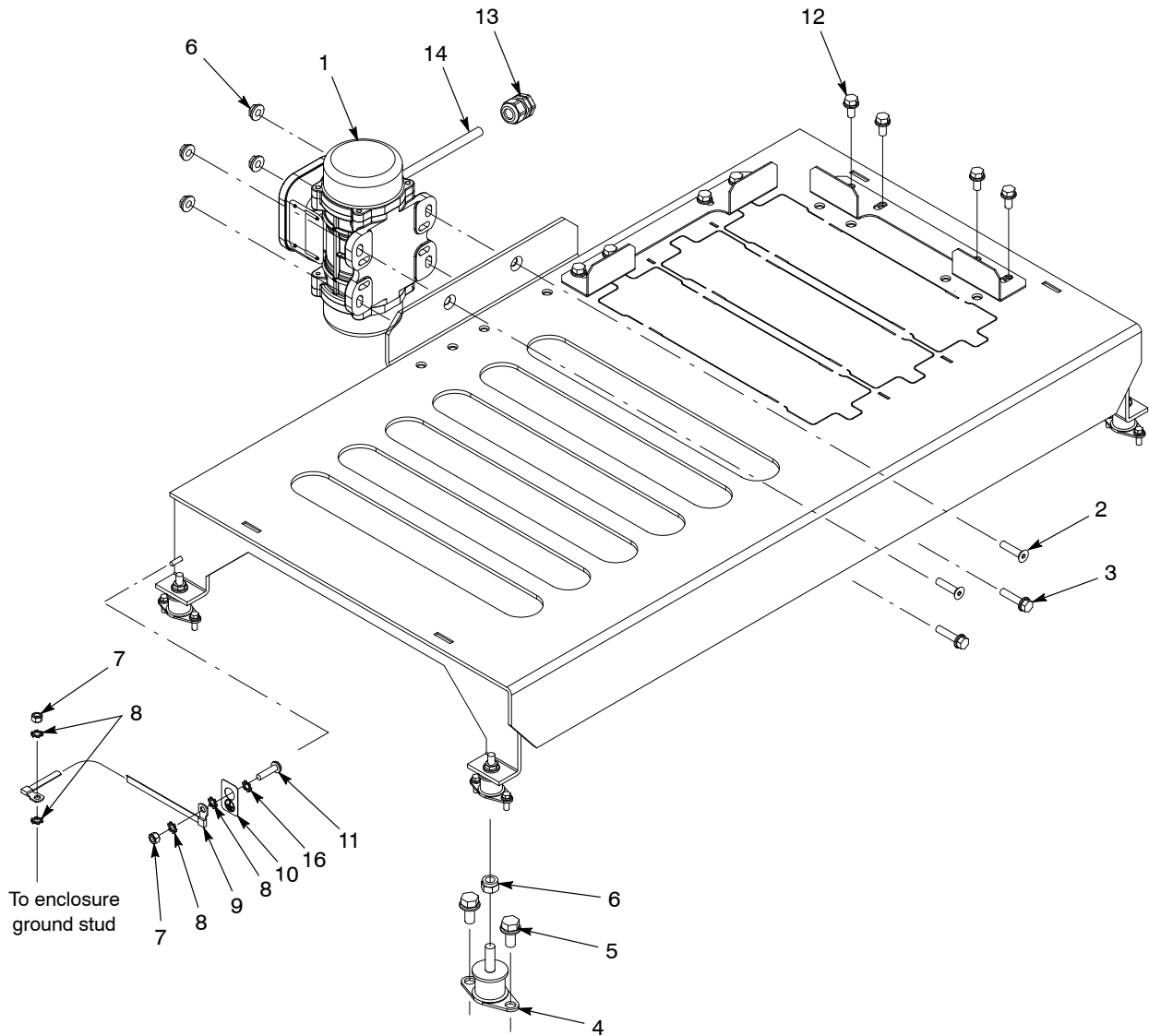


Figure 12-14 Hopper Platform and Vibrator Parts

Pneumatic Damper Parts

See Figure 12-15.

Item	Part	Description	Quantity	Note
1	1602175	Cylinder, feed center damper	1	
2	1602786	Rod end, damper cylinder	1	
3	1107595	Valve, flow control, 6 mm tube x 1/8 in. unithread	2	
4	-----	Screw, hex, cap, M8 x 25, zinc	2	
5	-----	Nut, hex, jam, M8, steel, zinc	2	

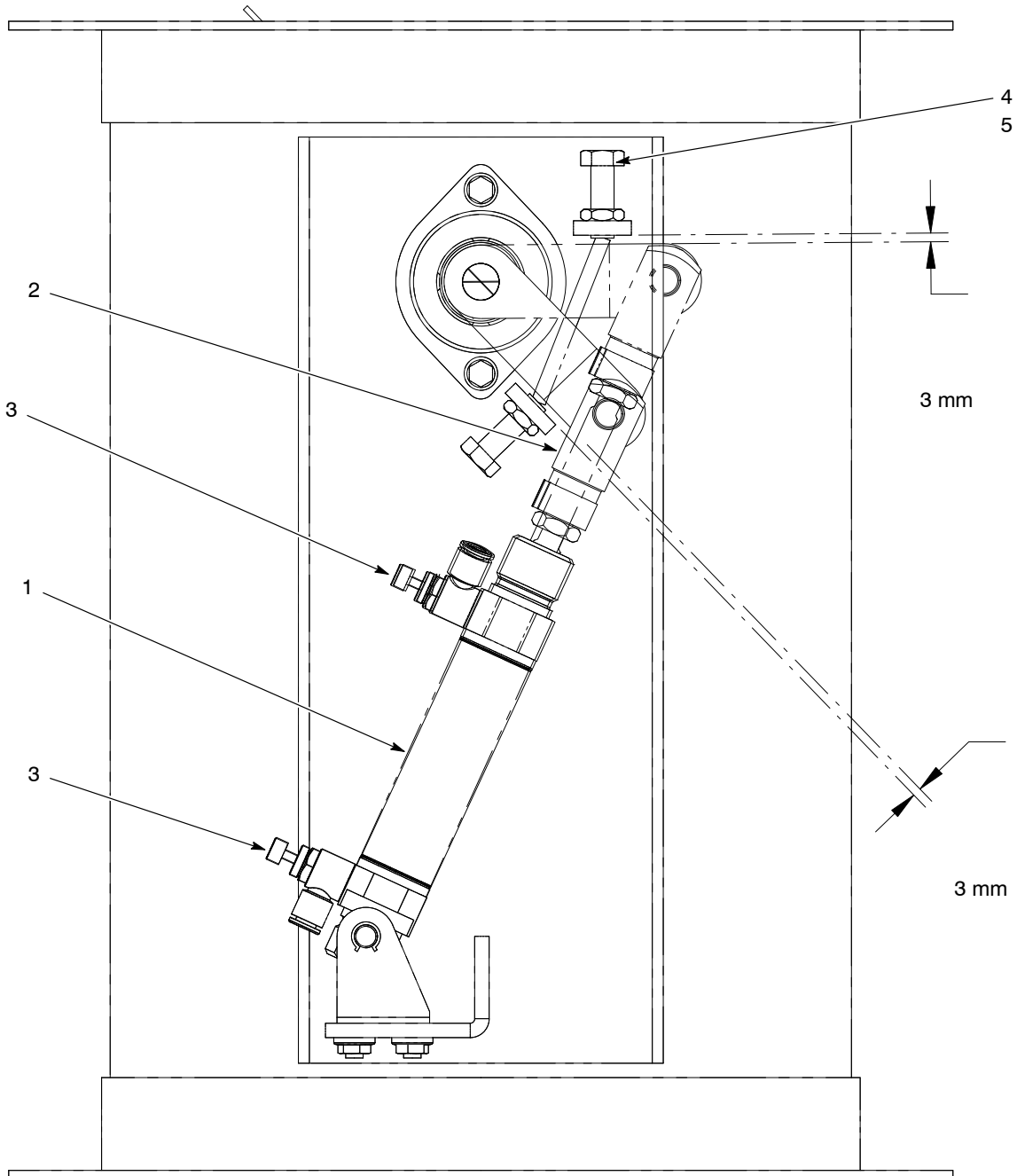


Figure 12-15 Pneumatic Damper Parts

Sieve and Mounting Parts

Replacement Parts for Non-CE/ATEX Sieve 1

See Figure 11-16 for Sieve 1 latch style. See Figure 12-18 for parts.

Screens

Item	Part	Description	Note
1	1603634	Screen, sieve, vibratory, 15 in., 20 mesh (841 microns)	
1	1604110	Screen, sieve, vibratory, 15 in., 30 mesh (595 microns)	
1	1603635	Screen, sieve, vibratory, 15 in., 40 mesh (400 microns)	
1	1603636	Screen, sieve, vibratory, 15 in., 60 mesh (250 microns)	

Vibrator Motors

Item	Part	Description	Note
2	1603628	Vibrator, sieve, 230/460V, 60 Hz, 3 phase	
2	1603629	Vibrator, sieve, 330/575V, 60 Hz, 3 phase	
2	1603630	Vibrator, sieve, 220/380/415V, 50 Hz, 3 phase	
2	1603631	Vibrator, sieve, 220/380V, 60 Hz, 3 phase	
2	1603632	Vibrator, sieve, 200/346V, 50 Hz, 3 phase	

Miscellaneous Parts

Item	Part	Description	Quantity	Note
3	1603633	Gasket, screen, sieve, 15 in.	1	A
4	1603637	Latch, sieve, toggle	2	
5	1017602	Mount, isolation, sieve	4	
6	1104897	Cap, vinyl, 3/4-13/16, black	AR	
7	1070199	Plug, hopper fill, NHR	1	
8	-----	Clip, ground, sieve screen	0	B

NOTE A: The screen gasket is made from a conductive material. DO NOT replace it with a non-conductive gasket.

B: Ground clip is required only for systems using Sieve 2.

AR: As Required



Figure 12-16 Latch, Sieve 1

Replacement Parts for Non-CE/ATEX Sieve 2

See Figure 11-17 for Sieve 2 latch style. See Figure 12-18 for parts.

Screens

Item	Part	Description	Quantity	Note
1	1056563	Screen, 20 mesh (864 micron)	1	
1	-----	Screen, 30 mesh (595 microns)	1	
1	1014561	Screen, 40 mesh (381 micron)	1	
1	1014562	Screen, 60 mesh (234 micron)	1	

Vibrator Motors

Item	Part	Description	Quantity	Note
2	1060113	Motor, vibrator, 230/460, 3 phase, 60 Hz	1	
2	1060114	Motor, vibrator, 220/380, 3 phase, 50 Hz	1	

Miscellaneous Parts

Item	Part	Description	Quantity	Note
3	1014563	Gasket, screen, sieve, 15 in.	1	
4	-----	Latch, sieve, toggle	2	
5	1017602	Mount, isolation, sieve	1	
6	1104897	Cap, vinyl, 3/4-13/16, black	AR	
7	1070199	Plug, hopper fill, NHR	1	
8	1104478	Clip, ground, sieve screen	1	A

NOTE A: Ground clip is required only for systems using Sieve 2.

AR: As Required



Figure 12-17 Latch, Sieve 2

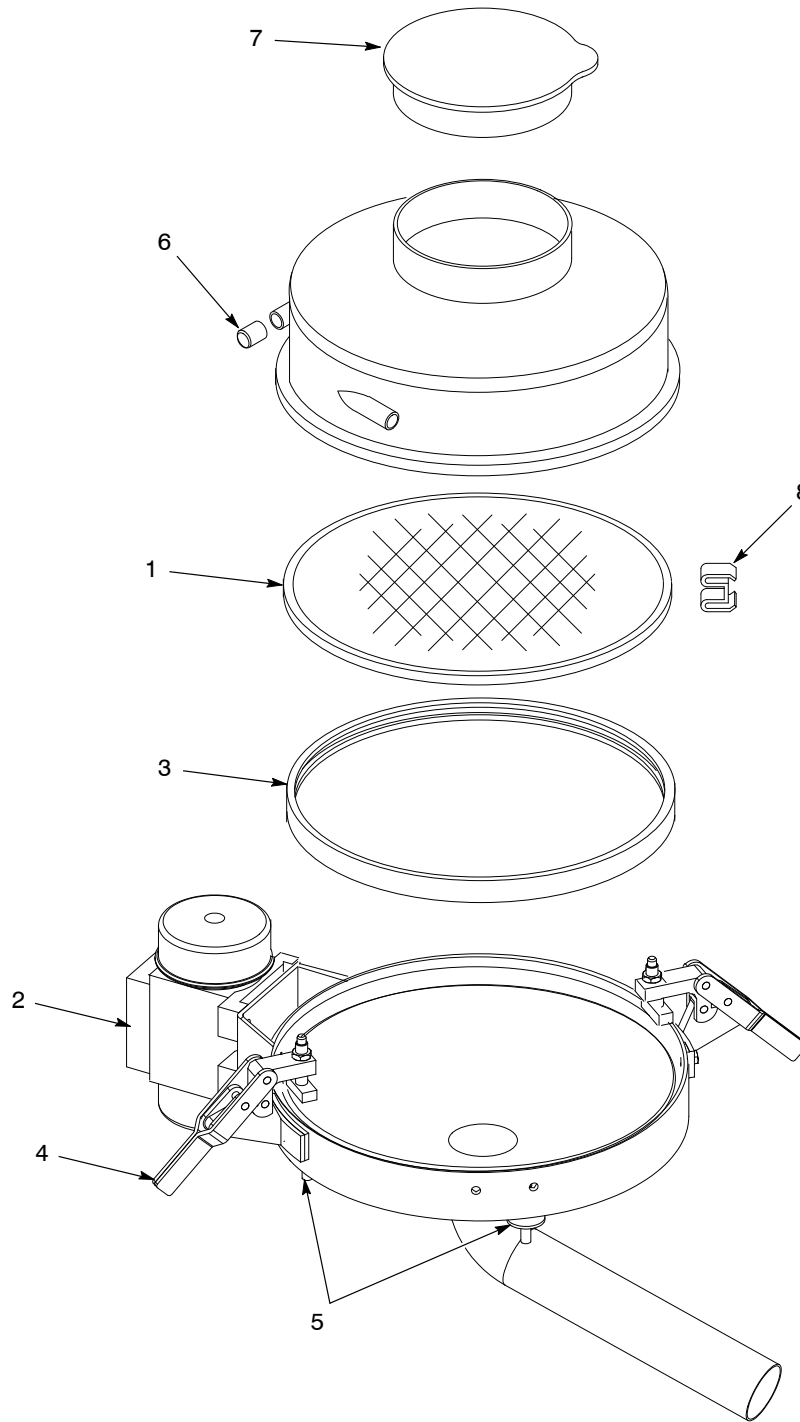


Figure 12-18 Sieve Parts (Sieve with Angled Chute Shown)

Powder Hose and Air Tubing Bulkhead Fittings

See Figure 12-19.

Item	Part	Description	Quantity	Note
1	249461	Socket, female, 8 mm, 10 tube, pneumatic	1	
2	249455	Plug, male, 8mm, 10 tube, pneumatic	1	
3	1100200	Plate, powder hose bulkhead, PFC	AR	
4	1100047	Screw, button head, socket, M6 x 12, zinc	AR	

AR: As Required

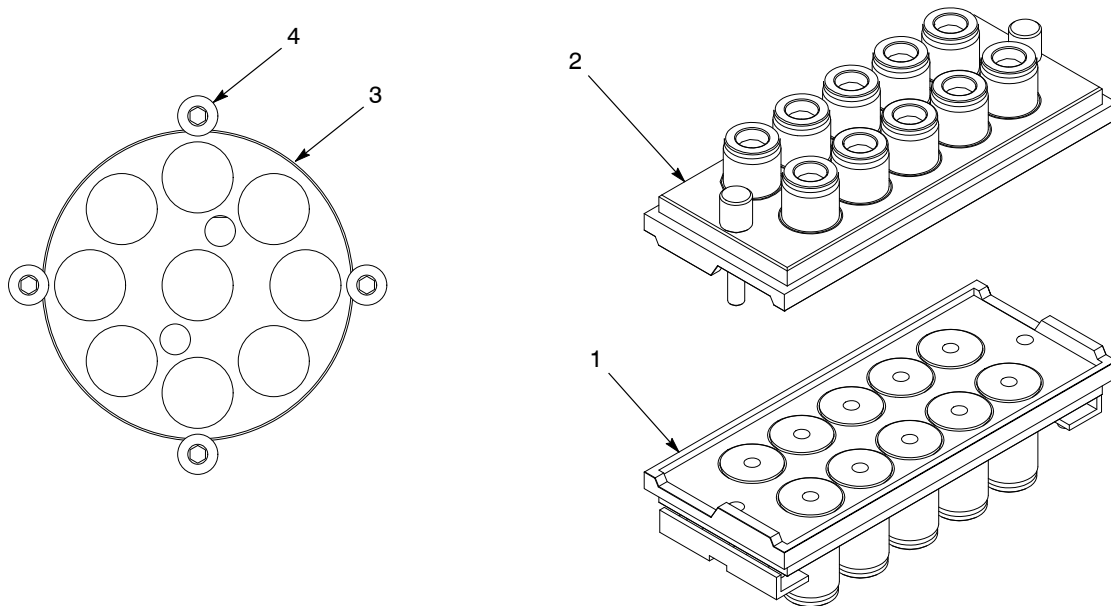


Figure 12-19 Powder Hose and Pump Air Bulkhead Fittings

Other Service Parts

Powder Transfer Tubing and Grommets

Part	Description	Note
1063654	Tubing, polyethylene, 16 mm OD, natural	
1066079	Grommet, lip style, 3/8 in.	
1100320	Plug, dome, 35 mm, (1.38 in.), Nylon	

Air Tubing and Fittings

Part	Description	Min. Quantity
900742	Tubing, polyurethane, 6 mm OD, blue	50
900618	Tubing, polyurethane, 8 mm OD, blue	50
900619	Tubing, polyurethane, 8 mm OD, black	50
900740	Tubing, polyurethane, 10 mm OD, blue	50
900613	Tubing, polyurethane, 12 mm OD, blue	50
183804	Plug, blanking, 6 mm tube	–
972930	Plug, push in, 8 mm tube, plastic	–
148256	Plug, 10 mm, tubing	–

Feed Hoppers

Part	Description	Note
1071873	Hopper, square, 50 lb	A
7404027	Hopper, rectangular, 75 lb	A
NOTE A: Refer to Section 10, Options for service parts.		

Fittings for Transfer Pump Air

Use these fittings to supply air from the control manifold to the HDLV transfer pump when runs are greater than 25 ft. or when dual reclaim transfer pumps are used. Refer to *Section 3, Installation* for diagrams.

Part	Description	Note
1106371	Valve, straight fitting, 10 mm, Festo	
7404027	Fitting, Y-branch, 10mm plug-in x 10 mm tube	
1070536	Fitting, straight, 10 mm tube – 8 mm tube	

Encore HD Powder Feed Center

Front View Parts

See Figure 12-20.

Item	Part	Description	Quantity	Note
1	1602947	Kit, blowoff gun, Encore PFC	1	
2	1014553	Sensor, level, quick disconnect, M12	1	
3	1603413	Collar, shaft, 62 in. two-piece nylon	1	
4	1023925	Cable, 4 pin, M12 conn, 5 m	1	
5	1100133	Cable, 4 pin, M12 conn, 5 m	2	
6	1602304	Regulator, air, 0.02-2 MPA, with gage	2	

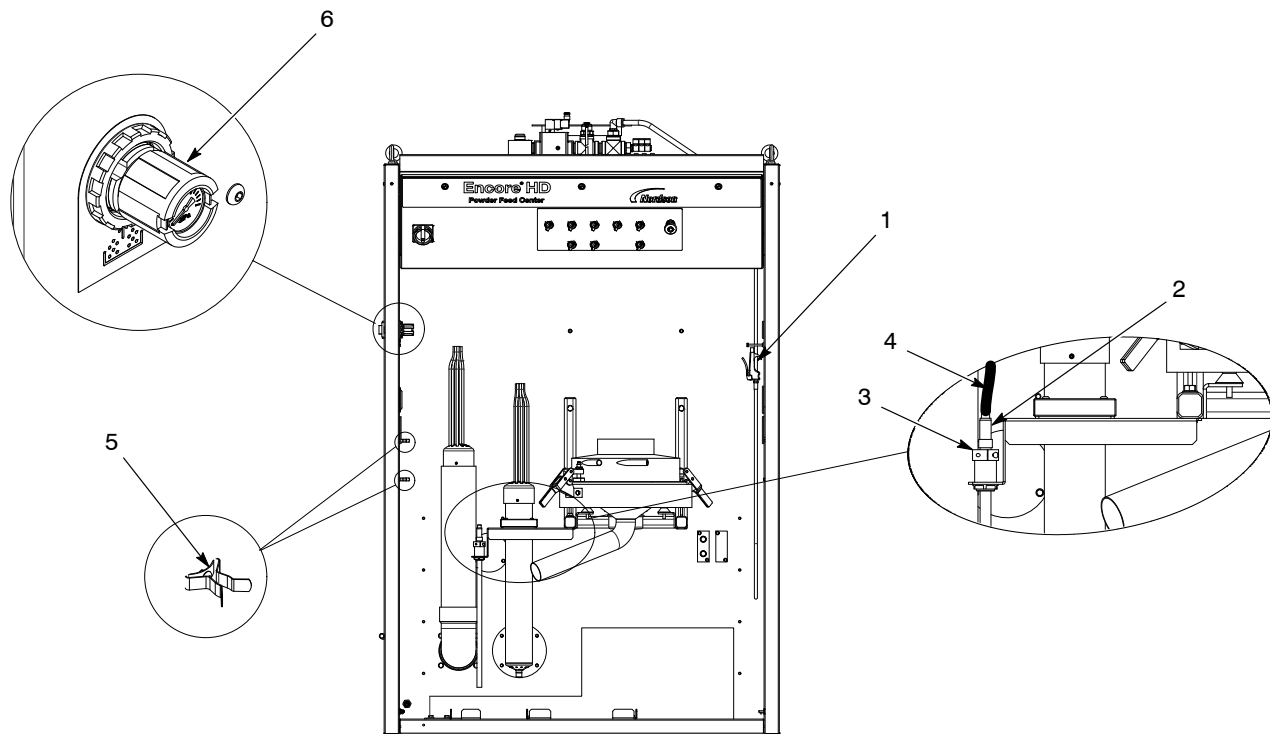


Figure 12-20 Front View Parts

Top View Parts

See Figure 12-21.

Item	Part	Description	Quantity	Note
1	1066079	Grommet, 3/8 in., lip style	AR	
2	1100320	Plug, dome, 1.38 (35 mm) nylon	AR	

AR: As Required

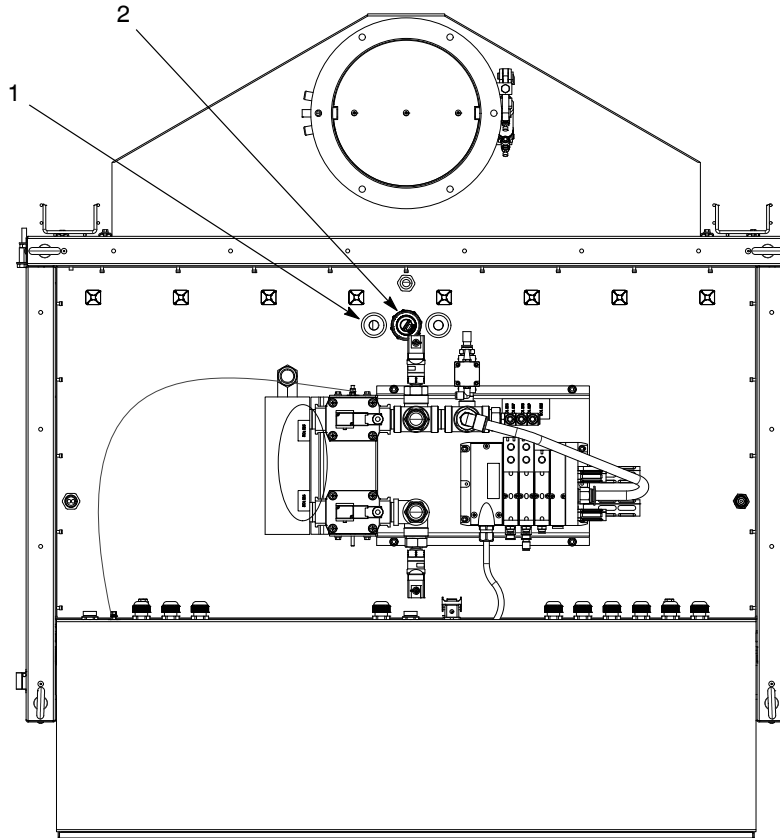


Figure 12-21 Top View Parts

Right Side Parts

See Figure 12-22.

Item	Part	Description	Quantity	Note
1	1604224	Grommet, snap in, 1.75 id, 2.88 panel hole	AR	
NS	1604144	Plug, 2.5 in., conduit	AR	

AR: As Required
NS: Not Shown

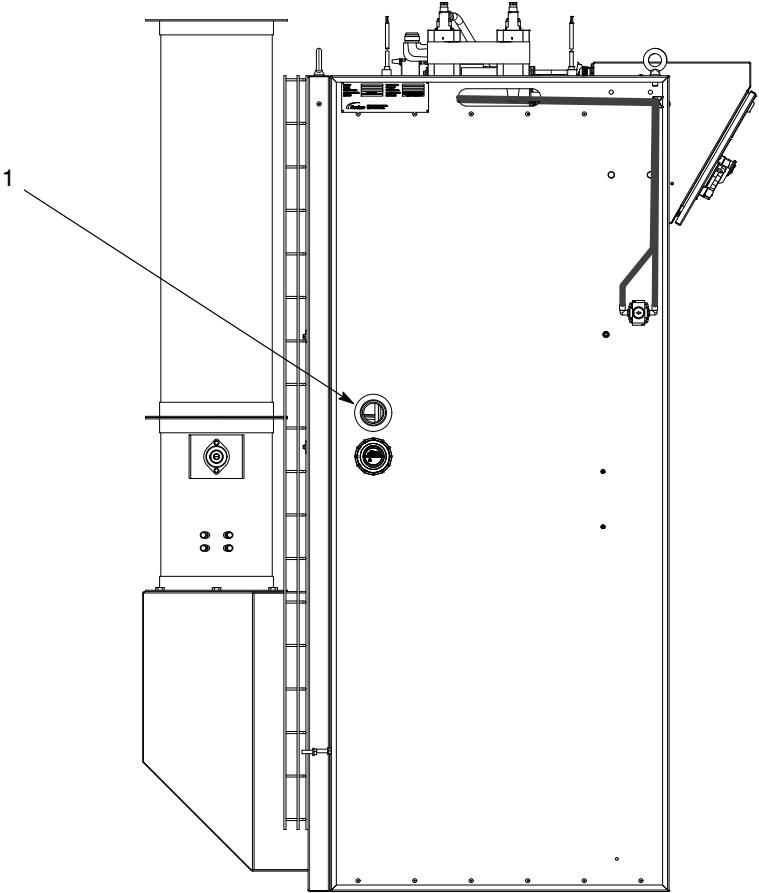


Figure 12-22 Right Side Parts

Pneumatic Module Parts

See Figure 12-23.

Item	Part	Description	Quantity	Note
-	1604174	Module, pneumatic, Prodigy PFC, 1-16	1	
-	1604142	Module, pneumatic, Prodigy PFC, 17-32	1	
1	1604709	• Valve, soft start, molded connector	1	
2	901074	• Valve, air pilot, two-way	1	
3	1604179	• Switch, adjustable, pressure	1	
4	1604710	• Switch, pressure, molded connector	1	
5	1604178	• Valve, 24 V solenoid, three-way, two-position, 1NPT	1	

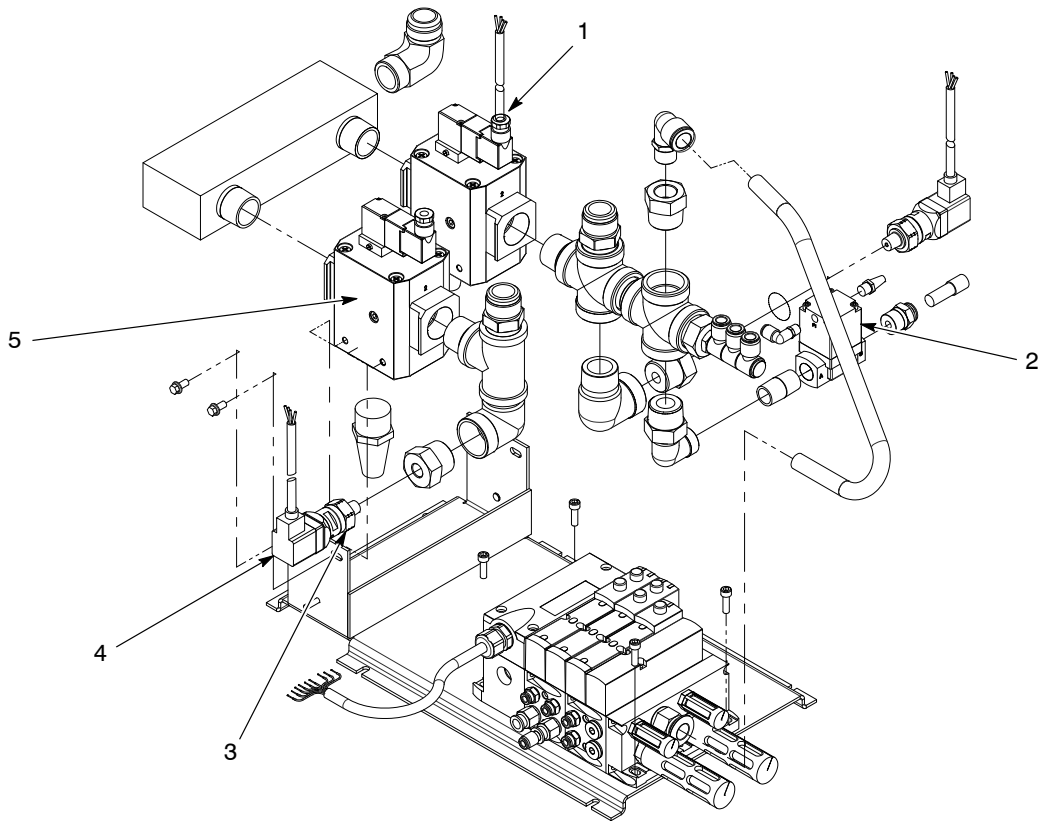


Figure 12-23 Pneumatic Module Parts

Lance Assemblies

See Figure 12-24.

Item	Part	Description	Quantity	Note
-	1084131	Lance, Prodigy, 4 pump	AR	A
-	1084132	Lance, Prodigy, 6 pump	AR	A
-	1084133	Lance, Prodigy, 8 pump	AR	A
-	1084134	Lance, Prodigy, 10 pump	AR	A
-	1084135	Lance, Prodigy, 12 pump	AR	A
-	1084136	Lance, Prodigy, 14 pump	AR </td <td>A</td>	A
-	1084137	Lance, Prodigy, 16 pump	AR	A

NOTE A: Use 1071376 Kit, fitting upgrade, lance, to replace broken powder tube fittings in the lance head. Each kit includes the parts needed to replace two fittings.

AR: As Required



Figure 12-24 Lance Assembly, 16-Pump Model Shown

Lance Bracket Parts

See Figure 12-25.

Item	Part	Description	Quantity	Note
1	1604334	• Wiper, rubber, lance, Encore HD FC	1	

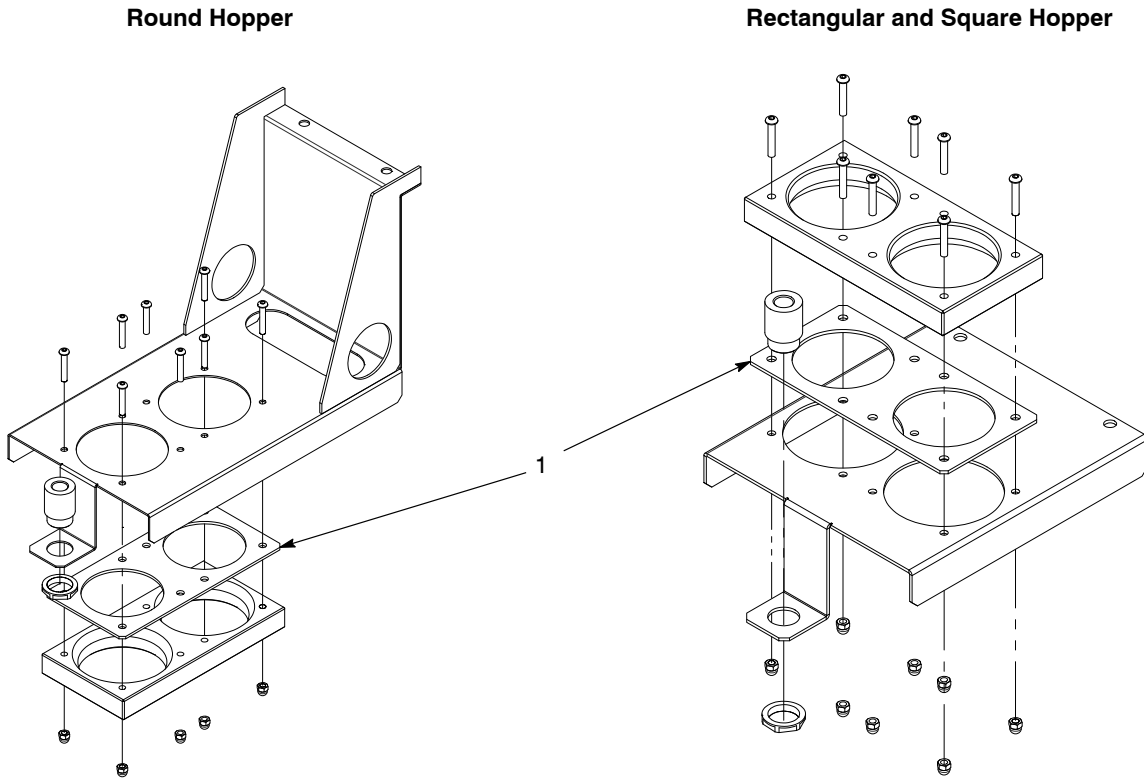


Figure 12-25 Lance Bracket Parts

Sieve Parts

See Figure 12-26.

Item	Part	Description	Quantity	Note
-	1602735	Module, sieve, 230-460 V, 60 Hz, 3Ph, two-port	1	
-	1602949	Module, sieve, 330-575 V, 60 Hz, 3Ph, two-port	1	
-	1602953	Module, sieve, 230-460 V, 60 Hz, 3Ph, four-port	1	
-	1602954	Module, sieve, 330-575 V, 60 Hz, 3Ph, four-port	1	
1	1070199	<ul style="list-style-type: none"> • Plug, hopper fill, NHR 	1	
2	1104897	<ul style="list-style-type: none"> • Cap, vinyl, 3/4-3/16, black 	2, 4	A

NOTE A: Order two for the two-port sieve, four for the four-port sieve

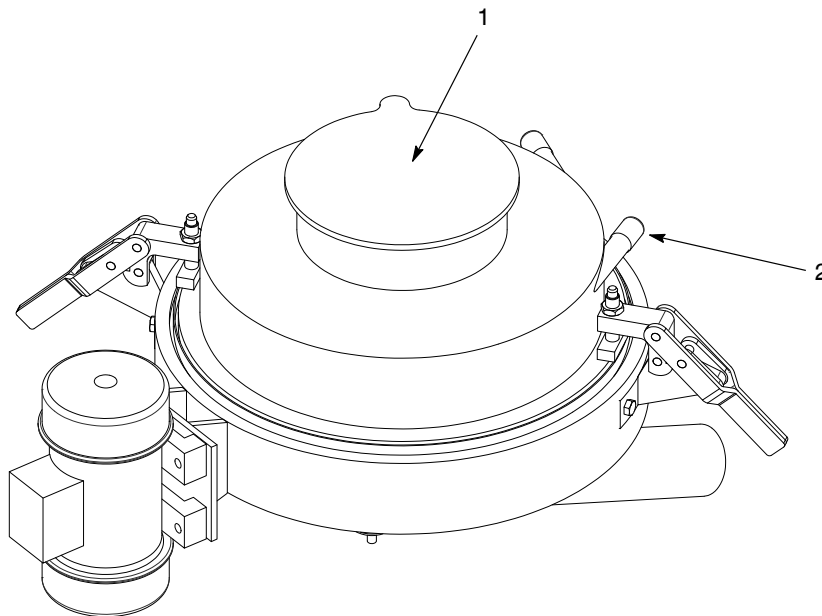


Figure 12-26 Sieve Parts

Sieve and Mounting Parts

Replacement Parts for Non-CE/ATEX Sieve 1

See Figure 12-27 for Sieve 1 latch style. See Figure 12-29 for parts.

Screens

Item	Part	Description	Note
1	1603634	Screen, sieve, vibratory, 15 in., 20 mesh (841 microns)	
1	1604110	Screen, sieve, vibratory, 15 in., 30 mesh (595 microns)	
1	1603635	Screen, sieve, vibratory, 15 in., 40 mesh (400 microns)	
1	1603636	Screen, sieve, vibratory, 15 in., 60 mesh (250 microns)	

Vibrator Motors

Item	Part	Description	Note
2	1603628	Vibrator, sieve, 230/460V, 60 Hz, 3 phase	
2	1603629	Vibrator, sieve, 330/575V, 60 Hz, 3 phase	
2	1603630	Vibrator, sieve, 220/380/415V, 50 Hz, 3 phase	
2	1603631	Vibrator, sieve, 220/380V, 60 Hz, 3 phase	
2	1603632	Vibrator, sieve, 200/346V, 50 Hz, 3 phase	

Miscellaneous Parts

Item	Part	Description	Quantity	Note
3	1603633	Gasket, screen, sieve, 15 in.	1	A
4	1603637	Latch, sieve, toggle	2	
5	1017602	Mount, isolation, sieve	4	
6	1104897	Cap, vinyl, 3/4-13/16, black	AR	
7	1070199	Plug, hopper fill, NHR	1	
8	-----	Clip, ground, sieve screen	0	B

NOTE A: The screen gasket is made from a conductive material. DO NOT replace it with a non-conductive gasket.

B: Ground clip is required only for systems using Sieve 2.

AR: As Required



Figure 12-27 Sieve 1 Latch Style

Replacement Parts for Non-CE/ATEX Sieve 2

See Figure 12-28 for Sieve 2 latch style. See Figure 12-29 for parts.

Screens

Item	Part	Description	Quantity	Note
1	1056563	Screen, 20 mesh (864 micron)	1	
1	-----	Screen, 30 mesh (595 microns)	1	
1	1014561	Screen, 40 mesh (381 micron)	1	
1	1014562	Screen, 60 mesh (234 micron)	1	

Vibrator Motors

Item	Part	Description	Quantity	Note
2	1060113	Motor, vibrator, 230/460, 3 phase, 60 Hz	1	
2	1060114	Motor, vibrator, 220/380, 3 phase, 50 Hz	1	

Miscellaneous Parts

Item	Part	Description	Quantity	Note
3	1014563	Gasket, screen, sieve, 15 in.	1	
4	-----	Latch, sieve, toggle	2	
5	1017602	Mount, isolation, sieve	1	
6	1104897	Cap, vinyl, 3/4-13/16, black	AR	
7	1070199	Plug, hopper fill, NHR	1	
8	1104478	Clip, ground, sieve screen	1	A

NOTE A: Ground clip is required only for systems using Sieve 2.

AR: As Required

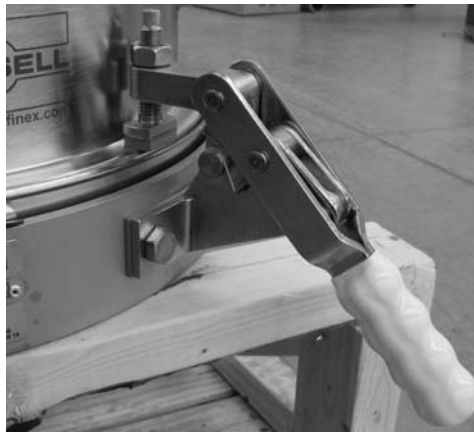


Figure 12-28 Sieve 2 Latch Style

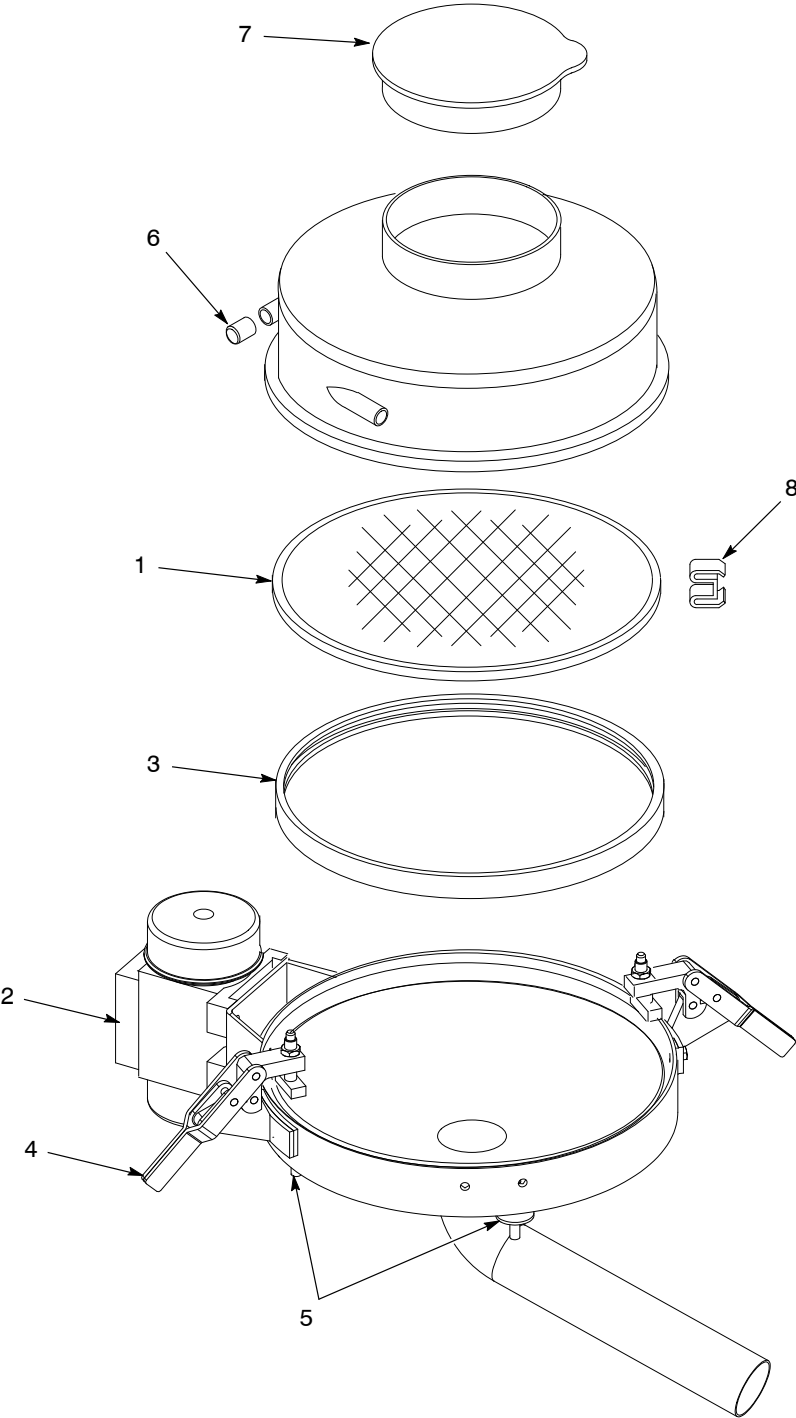


Figure 12-29 Sieve Parts (Sieve with Angled Chute Shown)

Pneumatic Damper Parts

See Figure 12-30.

Item	Part	Description	Quantity	Note
1	1602175	Cylinder, feed center damper	1	
2	1602786	Rod end, damper cylinder	1	
3	1107595	Valve, flow control, 6 mm tube x 1/8 in. unithread	2	
4	-----	Screw, hex, cap, M8 x 25, zinc	2	
5	-----	Nut, hex, jam, M8, steel, zinc	2	

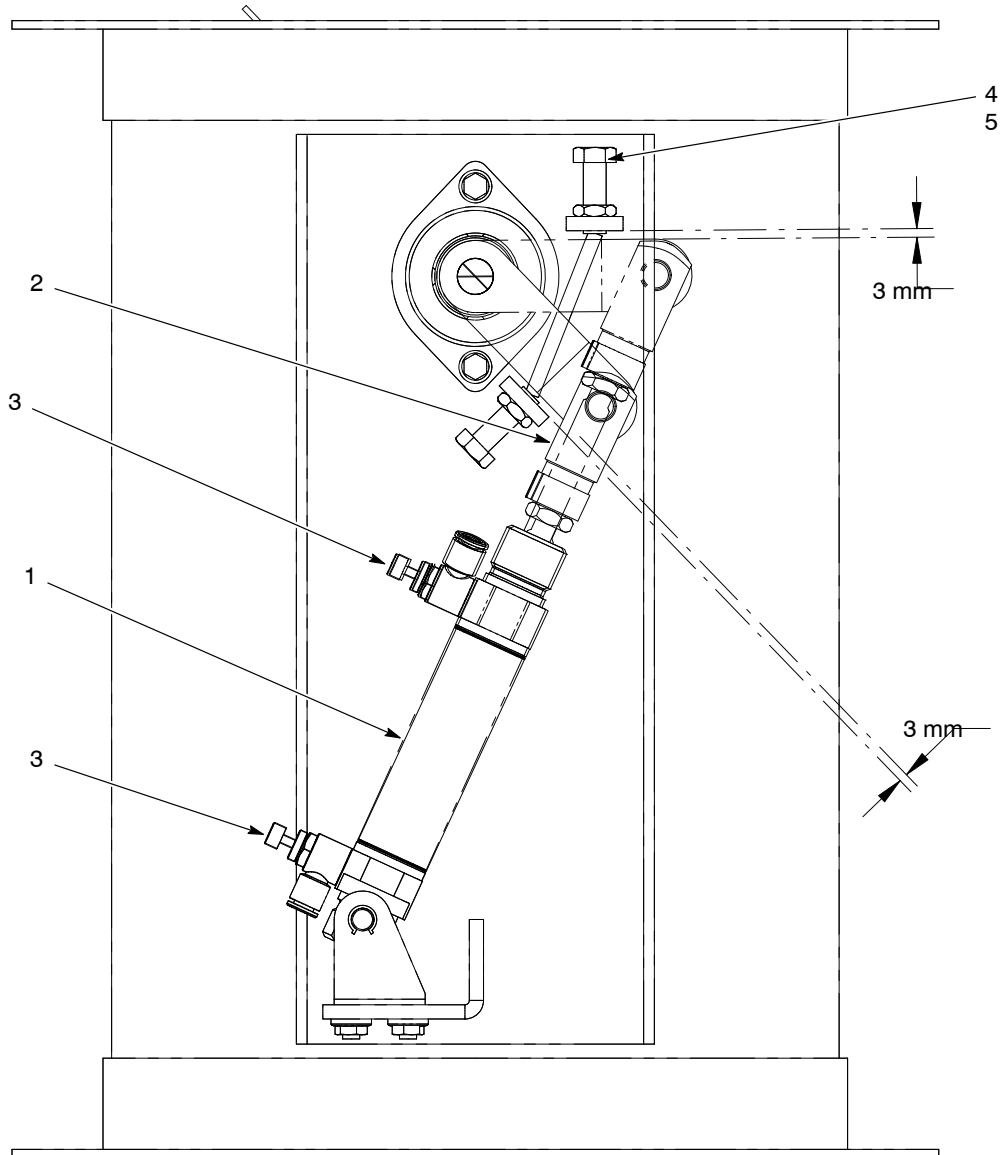


Figure 12-30 Pneumatic Damper Parts

Other Service Parts**Powder Transfer Tubing and Grommets**

Part	Description	Note
1063654	Tubing, polyethylene, 16 mm OD, natural	A
1066079	Grommet, lip style, 3/8 in.	
1100320	Plug, dome, 35 mm, (1.38 in.), Nylon	

NOTE A: Order by the foot.

Air Tubing and Fittings

Part	Description	Min. Quantity
900742	Tubing, polyurethane, 6 mm OD, blue	50
900618	Tubing, polyurethane, 8 mm OD, blue	50
900619	Tubing, polyurethane, 8 mm OD, black	50
900740	Tubing, polyurethane, 10 mm OD, blue	50
900613	Tubing, polyurethane, 12 mm OD, blue	50
183804	Plug, blanking, 6 mm tube	-
972930	Plug, push in, 8 mm tube, plastic	-
148256	Plug, 10 mm, tubing	-

Feed Hoppers

Part	Description	Note
1071873	Hopper, square, 50 lb	
7404027	Hopper, rectangular, 75 lb	
1603410	Hopper, NHR50, closed cover, 50 lb	

Section 13

Flame Detection

NOTE: For complete parts lists refer to individual component manuals:

334456 FS10-R30 Flame Detector

FS10-R30 Flame Detection System	13-2
--	-------------

FS10-R30 Flame Detection System

See Figure 13-1. For a complete parts list refer to manual 334456.

Item	Part	Description	Quantity	Note
—	1603250	Flame Detection Kit		
1	327759	• Circuit board module		
2	327758	• Housing		
3	939267	• 2A-fast acting fuse		
4	341361	• 24V power supply		
NS	327762	• Lamp, test, FS10-R30		

NS: Not Shown

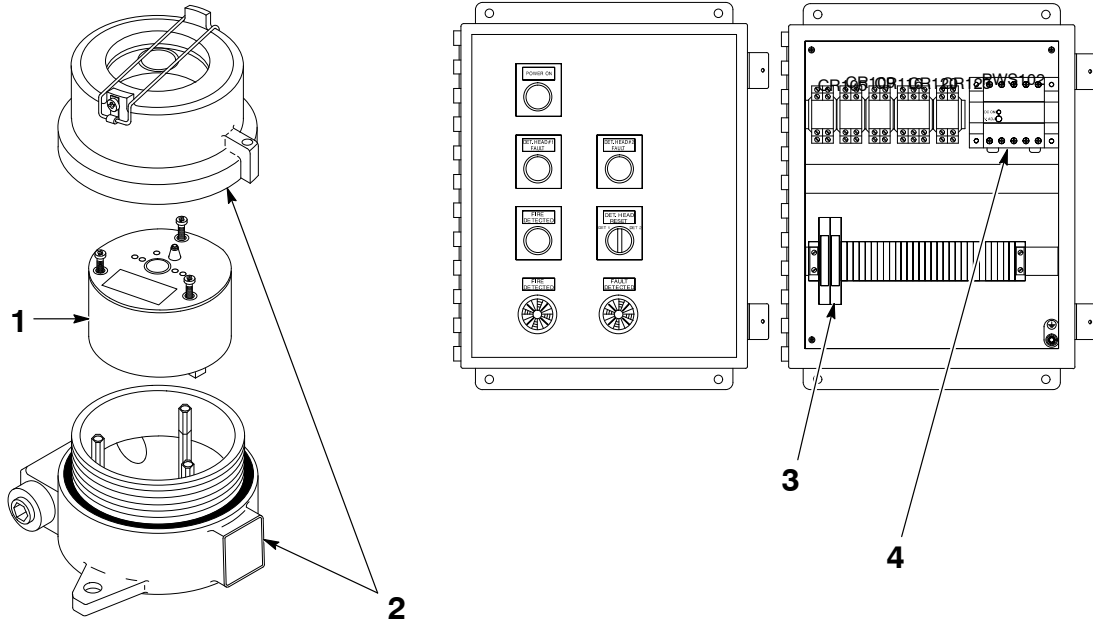


Figure 13-1 FS10-30 Flame Detection System

Section 14

Primary Cartridge Filters and Final Filters

ColorMax® and ColorMax 2 Booth Filters	14-2
Excel® 3000 Booth Filters	14-2
Primary Cartridge Filters	14-2
Final Filter	14-2
500 Series Booth Filters	14-3
Excel and Upgraded 500 Series Powder Filters	14-4
NHC, Horizon®, Econo-Coat®, Versa-Coat® Powder Filters .	14-5
NHC, Econo-Coat, Versa-Coat Powder Filters	14-5
NHC Stretch, Horizon, Econo-Coat Booth Filters	14-6
RCM, Vantage®, and Versa-Coat II Booths	14-7

ColorMax[®] and ColorMax 2 Booth Filters

Part	Description	Note
Primary Cartridge Filters		
156996	36 in. PowderGrid, center mount	
Part	Description	Note
Final Filters		
156995	Final filter (20.0 x 24.0 in.)	

Excel[®] 3000 Booth Filters

Primary Cartridge Filters

Part	Description	Note
Excel 3001 System		
156996	36 in. PowderGrid, center mount	
OR		
286872	36 in. heavy duty, center mount	
Excel 3002 System		
158661	26 in. PowderGrid, center mount	
146418	26 in. PowderGrid, flo thru	
OR		
158660	26 in. heavy duty, center mount	
180773	26 in. heavy duty, flo thru	
Excel 3003 System		
158661	26 in. PowderGrid, center mount	
146418	26 in. PowderGrid, flo thru	
OR		
158660	26 in. heavy duty, center mount	
180773	26 in. heavy duty, flo thru	

Final Filter

Part	Description	Note
156995	Final filter (20.0 x 24.0 in.)	

500 Series Booth Filters

See Figures 14-1 and 14-2.

Part	Description	Note
Primary Cartridge Filters		
147161	26 in. high efficiency, flange mount	
180776	26 in. heavy duty, flange mount	
146417	26 in. PowderGrid Plus, flange mount	
147160	26 in. high efficiency, vertical mount	
146419	26 in. PowderGrid Plus, vertical mount	
158661	26 in. PowderGrid Plus, center mount	
107763	Mounting kit, flange mount (tri-bolt)	
Part	Description	Note
Final Filters		
101432	Final filter, external (23.375 x 17.375 x 2.25 in.)	
101431	Final filter (24.0 x 19.38 x 2.25 in.)	A
NOTE A: For booths manufactured before January 15, 1990. Refer to Final Filter Retrofit Bracket Kits, part 108562, for retrofit information.		

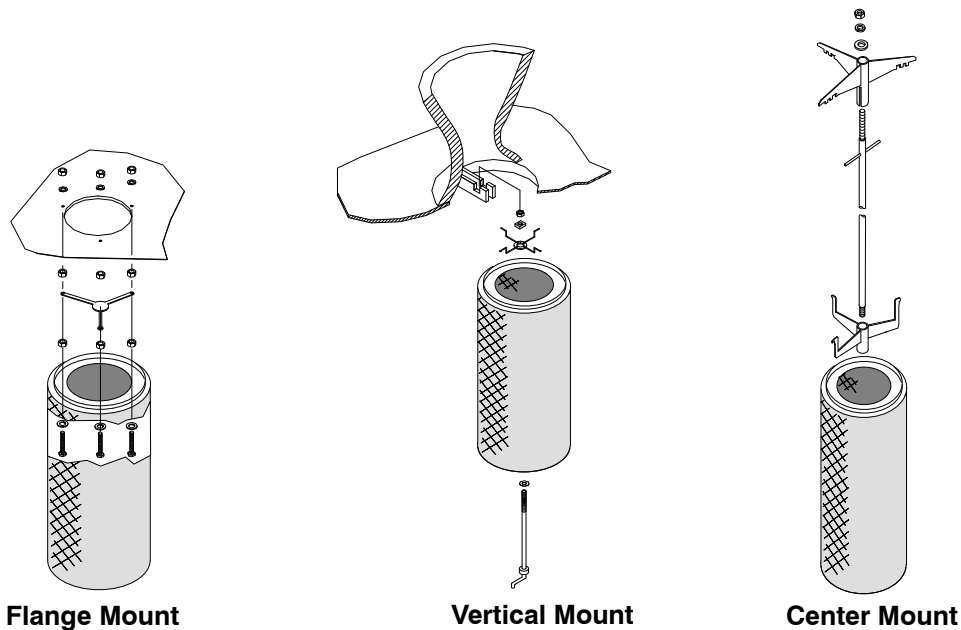


Figure 14-1 Primary Cartridge Filters

Excel and Upgraded 500 Series Powder Filters

See Figure 14-2.

Part	Description	Note
Primary Cartridge Filters – Center Mount		
156998	36 in. high efficiency	
286872	36 in. heavy duty,	
156996	36 in. PowderGrid Plus	
158660	26 in. heavy duty	
180772	32 in. heavy duty	
180775	32 in. PowderGrid Plus	
Part	Description	Note
Final Filters		
156995	Internal (23.38 x 19.38 x 11.50 in.)	

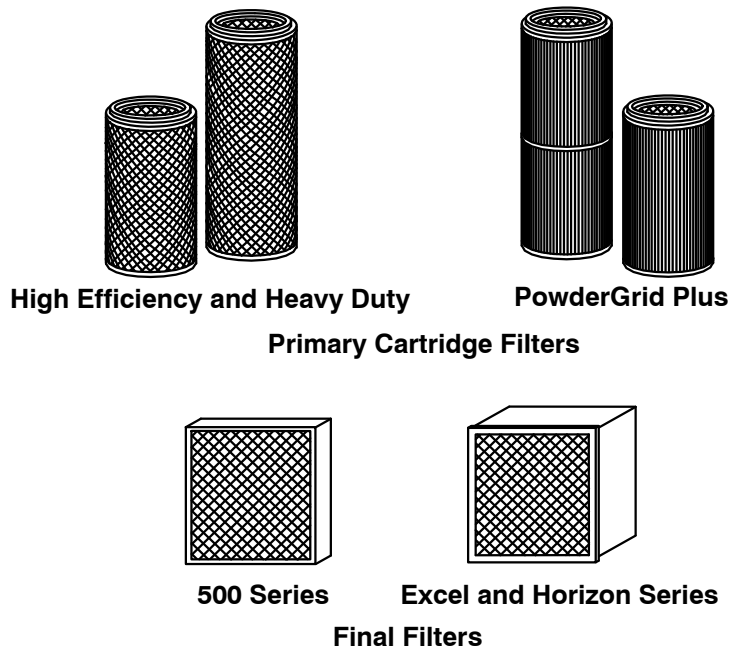


Figure 14-2 Primary/Final Filters for NHC, 500 Series, Excel, Horizon, Versa-Coat and Econo-Coat Booths

NHC, Horizon[®], Econo-Coat[®], Versa-Coat[®] Powder Filters

See Figure 14-2.

Part	Description	Note
Primary Cartridge Filt		
146418	26 in. PowderGrid Plus, flow through	
146416	26 in. PowderGrid Plus, closed end	
151085	36 in. PowderGrid Plus, flow through	
151086	36 in. PowderGrid Plus, closed end	A
Part	Description	Note
Final Filters		
156995	Internal (23.38 x 19.38 x 11.50 in.)	B
101432	External (23.375 x 17.375 x 2.25 in.)	C
NOTE A: Econo-Coat Series II powder booth uses only closed-end 36 in. cartridge filters.		
B: Used on Horizon booths only.		
C: Used on NHC, Econo-Coat, and Versa-Coat booths.		

NHC, Econo-Coat, Versa-Coat Powder Filters

See Figure 14-2.

Part	Description	Note
Primary Cartridge Filters		
147162	26 in. high efficiency, flow through	
147163	26 in. high efficiency, closed end	
180773	26 in. heavy duty, flow through	
180774	26 in. heavy duty, closed end	
Part	Description	Note
Final Filters		
101432	Final filter, external (23.375 x 17.375 x 2.25 in.)	

NHC Stretch, Horizon, Econo-Coat Booth Filters

See Figure 14-2.

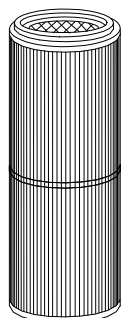
Part	Description	Note
Primary Cartridge Filters		
153129	36 in. high efficiency, flow through	
153134	36 in. high efficiency, closed end	A
180770	36 in. heavy duty, flow through	
180771	36 in. heavy duty, closed end	A
Part	Description	Note
Final Filters		
156995	Internal (23.38 x 19.38 x 11.50 in.)	B
101432	External (23.375 x 17.375 x 2.25 in.)	
NOTE A: Econo-Coat Series II powder booth uses only closed-end 36 in. cartridge filters.		
B: Used on Horizon booths only.		

RCM, Vantage[®], and Versa-Coat II Booths

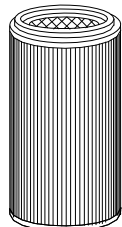
See Figure 14-3.

Part	Description	Note
Primary Cartridge Filters		
1014921	36 in. bolt through, RCM booths, polyester	
Part		
Description		
Note		
1066533	36 in. bolt through, high efficiency, RCM booths	
1042591	48 in. bolt through, Versa-Coat II and Vantage booths, polyester	
Final Filters		
1014927	RCM 8,000 CFM, (23.5 x 23.5 x 11.25 deep)	
1032826	RCM II 8,000 CFM / Vantage FCM (21.5 x 35.5 x 5.75 in. deep)	
1042596	RCM II 11,000 CFM / Versa-Coat II / Vantage FCM (23.5 x 35.5 x 8.75 in. deep)	
1066540	Vantage FCM (23.5 x 35.5 x 11.75 in. deep)	

Primary Cartridge Filters

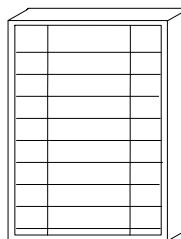


Versa-Coat II/Vantage FCM 48 in.

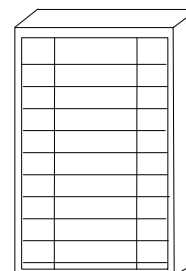


RCM Series
36 in. Polyester

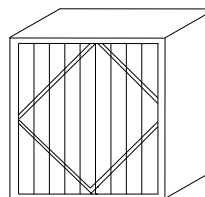
Final Filters



RCM II 8K Series
and Vantage FCM



RCM II 11K and
Versa-Coat II/Vantage FCM



Original RCM 8000 Series

Figure 14-3 Primary and Final Filters for RCM, Vantage, and Versa-Coat II Booths

Section 15

Powder Coating Essentials

Powder Feed Tubing	15-2
Prodigy Powder and Air Tubing – Generation I	15-2
Prodigy Powder and Air Tubing – Generation II	15-3
Anti-Static Powder Feed Tubing	15-4
Anti-Static Powder Transfer Tubing	15-4
Powder Transfer Tubing	15-4
Powder Hose and Air Tubing	15-5
Measurement Equipment	15-5
Quick Disconnect Fittings	15-6
Film Thickness Gauges	15-6
Fittings and Connectors	15-7
Miscellaneous Parts	15-8

Powder Feed Tubing

Quantity discounts are available when ordering powder feed tubing. There is a minimum order quantity for this tubing. **The tubing is sold in increments equal to the minimum order quantity.**

Part	Description	Note	Min Order Qty (ft)
900549	9.5 mm- (0.375-in.) ID, black	A	25
900550	12.7-mm (0.500-in.) ID, black	A	25
900723	9.5-mm (0.375-in.) ID, clear	B	25
900724	12.7-mm (0.500-in.), clear	B	25
900648	11-mm (0.44-in.) ID, blue	C	25
900649	9.5-mm (0.375-in.) ID, blue	C	25
900650	12.7-mm (0.500-in.) ID blue	C	25
1003557	12.7-mm (0.500-in.) ID, black sleeve	C, D	100
1003558	12.7-mm (0.500-in.) ID, gray sleeve	C, D	100
1016049	11-mm (0.44-in.) ID, black sleeve	C, D	100
1016060	11-mm (0.44-in.) ID, gray sleeve	C, D	100
NOTE A: For organic powders. B: For porcelain-enamel powders. C: For metallic and most organic powders. D: For quick color change applications with internal purge cleaning.			

Prodigy Powder and Air Tubing – Generation I

Powder and air tubing are not supplied with the spray gun, but are supplied as part of a manual powder spray gun system. There is a minimum order quantity for this tubing. **The tubing is sold in increments equal to the minimum order quantity.**

Part	Description	Min Order Qty (ft)
173101	Tubing, polyethylene, 8-mm OD, clear (Powder)	100
900742	Tubing, polyurethane, 6-mm OD, blue (Air)	50
1062178	Tubing cutter, 12 mm or less	N/A

Prodigy Powder and Air Tubing – Generation II

Powder and air tubing are not supplied with the spray gun, but are supplied as part of a manual powder spray gun system. There is a minimum order quantity for this tubing. **The tubing is sold in increments equal to the minimum order quantity.**

Part	Description	Note	Min Order Qty (ft)
1080388	Tubing, powder, 8-mm OD x 6-mm ID, 500 ft bulk (flexible)	A	500
1081783	Tubing, powder, 8-mm OD x 6-mm ID, 100 ft bulk (flexible)	B	100
900742	Tubing, polyurethane, 6-mm OD, blue (Air)	C	50
1062178	Tubing cutter, 12 mm or less		N/A
1078006	Adapter, tube, barb		N/A
<p>NOTE A: Tubing length is appropriate for an automatic gun system. The 500 ft minimum order is shipped on a spool.</p> <p>B: Tubing length is appropriate for a manual gun setup. The 100 ft minimum order is shipped in a box. (100 ft per box)</p> <p>C: Tubing is sold in 50 ft increments.</p>			

Anti-Static Powder Feed Tubing

There is a minimum order quantity for this tubing. **The tubing is sold in increments equal to the minimum order quantity.**

Part	Description	Note	Min. Order Qty (ft)
768176	Anti-static powder tubing, 11 mm (0.43 in.)		100
768178	Anti-static powder tubing, 12.7 mm (0.50 in.)		100

Anti-Static Powder Transfer Tubing

There is a minimum order quantity for this tubing. **The tubing is sold in increments equal to the minimum order quantity.**

Part	Description	Note	Min. Order Qty (ft)
1069787	Anti-static powder tubing, 19 mm (0.75 in.)		100

Powder Transfer Tubing

Quantity discounts are available when ordering powder transfer tubing.

Part	Description	Note
900551	19-mm (0.750-in.) ID, black	A, D
900725	19-mm (0.750-in.) ID, clear	B, D
900651	19-mm (0.750-in.) ID, blue	C, D
NOTE A: For organic powders. B: For porcelain-enamel powders, and as feed hose for HF-10 pipe coating guns. C: For metallic powders and most organic powders. D: The tubing is sold in increments of 25 ft.		

Powder Hose and Air Tubing

Powder hose and air tubing must be ordered in increments of one foot..

Part	Description	Note
1081783	Powder hose, 6 mm ID x 8 mm OD, polyolefin (by 100 ft)	B, E
1080388	Powder hose, 6 mm ID x 8 mm OD, polyolefin (by 500 ft)	C, E
1606690	Clear powder hose, 6 mm ID x 8 mm OD, polyurethane (by 100 ft)	A, F
1606695	Clear powder hose, 6 mm ID x 8 mm OD, polyurethane (by 500 ft)	C, F
900617	Air tubing, polyurethane, 4 mm, clear, electrode air wash	A
900742	Air tubing, polyurethane, 6 mm, blue, pattern air	A
1096789	Air tubing, antistatic, 6/4 mm, black (conductive air tubing), VBF pickup tube to controller	D
900741	Air tubing, polyurethane, 6 mm, black	
900618	Air tubing, polyurethane, 8 mm, blue	A
900619	Air tubing, polyurethane, 8 mm, black	A
900740	Air tubing, polyurethane, 10 mm, blue, main air IN	A
900517	Tubing, poly, spiral cut, 0.62 in. ID, dress out	
301841	Strap, Velcro, w/buckle, 25 x 3 cm, dress out	
<p>NOTE A: Minimum order quantity is 50 ft. B: Minimum order quantity is 100 ft. C: Minimum order quantity is 500 ft. D: This tubing is used on VBF systems to provide fluidizing air from the bulkhead union to the pickup tube. It is conductive and grounds the pickup tube to the cart body. Do not replace with non-conductive tubing. E: Standard powder hose delivered with system. F: Optional powder hose to use in place of the standard polyolefin.</p>		

Measurement Equipment

Part	Description	Note
185807	Non-Loading kV meter kit	A
1026766	Megohm meter, insulation tester	
161411	Shorting plug, IPS multiplier	B
189596	Test plug, IPS control unit	B
307449	Air velocity meter	
307447	Wind meter, pocket	
<p>NOTE A: Measures output voltage with laboratory accuracy. Trade-in available. B: Designed to assist in diagnostic testing. Refer to gun and control unit manuals for proper use.</p>		

Quick Disconnect Fittings

Part	Description	Note
972868	Coupling, spring lock 3/8 in.	
972870	Coupling, connector body, 3/8 in.	
972872	Coupling, insert w/ring, 3/8 in.	
972874	Coupling, spring lock, 10 mm	
972875	Coupling, connector body, 10 mm	
972876	Coupling, insert, 10 mm	
972869	Coupling, spring lock, 1/2 in. x 12 mm	
972871	Coupling, connector body, 1/2 in. x 12 mm	
972873	Coupling, insert w/ring, 1/2 in. x 12 mm	

Film Thickness Gauges

Part	Description	Note
1605780	Gauge, dry film, FE, permascope MPOR	
1605779	Gauge, dry film, FE/NFE, dual scope MPOR	
1605781	Gauge, FMP20 with probe FD13H and case	
1605777	<ul style="list-style-type: none"> Gauge, dry film, FE/NFE, dual scope FMP20 	
1605778	<ul style="list-style-type: none"> Probe, dual, FD13H 	

Fittings and Connectors

Part	Description	Note
972119	Elbow, male, 1/4 in tube x 1/8 in. NPT	
972126	Elbow, male, 6 mm tube x 1/8 in.	
972276	Elbow, male, 8 mm tube x 1/8 in.	
972716	Connector, ml, 1/4 in. tube x 1/8 in. NPT	
972157	Connector, fml, 6 mm tube x 1/8 in. NPT	
972142	Elbow, male, 6 mm tube x 1/4 in.	
972141	Connector, ml, 6 mm tube x 1/8 in.	
971100	Connector, male, 6 mm tube x 1/4 in.	
183804	Plug, 6 mm tubing	
972183	Elbow, male, 3/8 in. tube x 1/4 in NPT	
972194	Elbow, male, 3/8 in. tube x 3/8 in. NPT	
972124	Elbow, male, 10 mm tube x 3/8 in.	
972125	Elbow, male, 10 mm tube x 1/4 in.	
972841	Connector, hex, 10 mm tube x 1/4 in.	
972282	Connector, male, 8 mm tube x 1/4 in.	
972283	Connector, ml, round, 10 mm tube x 1/4 in.	A
1051108	Connector, male, 16 mm tube x 1/2 in.	
148256	Plug, 10 mm tubing	
247699	Connector, 9.5-mm (0.375-in.) ID, tubing	
247701	Connector, 12.7-mm (0.50 -in.) ID, tubing	
972093	Elbow, male, 12 mm tube x 1/4 in.	
972094	Elbow, male, 12 mm tube x 3/8 in.	
972240	Elbow, male, 12 mm tube x 1/2 in.	
972143	Elbow, male, 16 mm tube x 1/2 in.	
139040	10 tube connector, 1/4 in. tubing, male	
139041	10 tube connector, 1/4 in. tubing, female	
249446	Plug, male, 10 tube connector, 6 mm	B
249455	Plug, male, 10 tube connector, 8 mm	B
249469	Plug, male, 10 tube connector, 1/4 in.	B
249447	Socket, fml, 10 tube connector, 6 mm	B
249461	Socket, fml, 10 tube connector, 8 mm	B
249470	Socket, fml, 10 tube connector, 1/4 in.	B
249445	10-tube mounting bracket	B
327748	Connector w/check valve, male, 8 mm tube x 1/4 in.	C
<p>NOTE A: For through-hole applications, as in sheet metal panel, where hex version connector may not work.</p> <p>B: New style SMC ten-tube connector fittings.</p> <p>C: Used in Sure Coat manual control unit for flow and atomizing air.</p>		

Miscellaneous Parts

Part	Description	Note
939247	Snap-it hose clamp, small (for black powder tubing)	
939459	Snap-it hose clamp, large (for 0.750 in. ID tubing)	
246930	Snap-it hose clamp, large (for blue powder tubing)	
247006	Clamp, hose, 0.673–0.795 in. OD	
247658	Dielectric grease, 10 cc applicator (box of 12)	
245733	Dielectric grease, 3 cc applicator (box of 12)	
247512	High-voltage insulating oil, 7.5 ml (0.2 ounces)	
295127	High-voltage insulating oil, 0.95 liters (1 quart)	
1018784	ColorMax, cyclone cleaning media, 50 lb drum	
1053608	Pump, throat wear gauge	
1013284	Pads, cleaning SureMax, 10 pack	
301841	Velcro strap, small, 25 x 3 cm	
301866	Velcro strap, large, 41 x 3 cm	
900366	Touch-up paint, blue, spray can	
211229	Lexel caulk, clear, 10.5 oz tube	
900401	RTV sealant, 12 oz tube	
224732	Air dryer/filter	
226097	Filter element, coalescing	A
226098	Filter element, particulate	A
226099	Dessicant media	A
180786	Booth squeegee	
180787	Handle, booth squeegee	
1067694	Kit, ground bus bar, ESD, 6 pos, with hardware	
1047141	Panel, photoeye, part flag, 5 pack	
900517	Tubing, poly, spiral cut, 0.62 in. ID	B
900620	Tubing, spiral wrap, 3/8 in. ID	B
601367	Sensor, level, direct wire	C
237199	Sensor, level, N/C, quick disconnect	C

NOTE A: Used with air dryer 224732.

B: For bundling and dressing out cables, air tubing, and powder feed tubing. Order in increments of one foot.

C: Does not come with wire.

Section 16

Tribomatic® Powder Spray Guns and Pumps

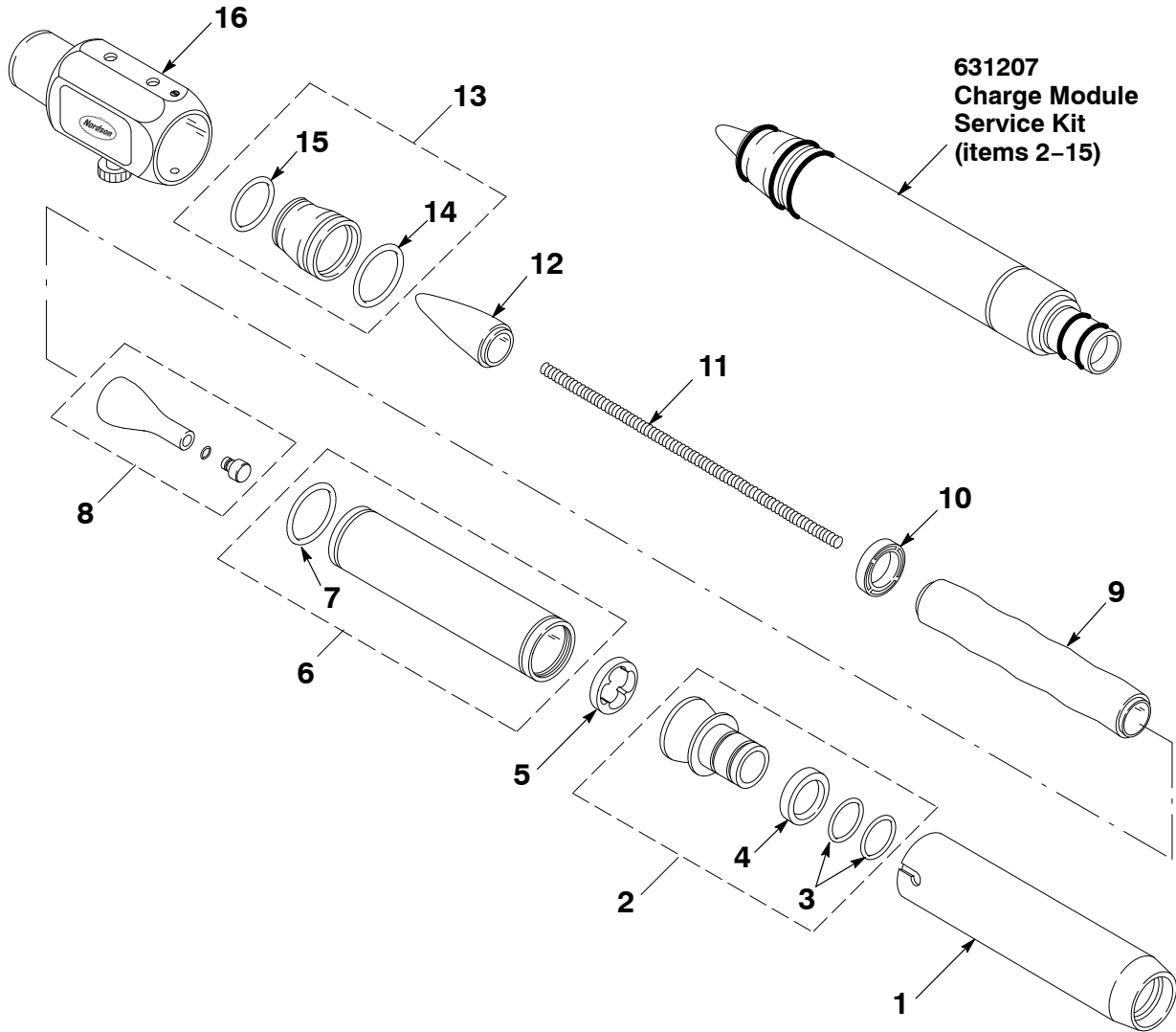
Tribomatic II Automatic Powder Spray Gun	16-2
Tribomatic II Automatic Gun Diffuser	16-4
Tribomatic II Manual Powder Spray Gun	16-6
Tribomatic Manual Gun Diffuser	16-8
Tribomatic II Lance Extensions	16-9
Tribomatic II Cup Gun Kit	16-10
Tribomatic 500 Manual Powder Spray Gun	16-12
Tribomatic 500 Manual Gun Cup Gun Kit	16-14
Tribomatic Powder Feed Pumps	16-15
Tribomatic II Feed Pump	16-15
Tribomatic II Modular Pump	16-16
Encore Generation II Tribomatic Pump	16-17

Tribomatic II Automatic Powder Spray Gun

See Figure 16-1. For a complete parts list refer to manual 106571.

Item	Part	Description	Note
1	631225	Extension	
2	631221	Outlet wear sleeve assembly, PTFE	C
3	940224	• O-ring, silicone, 1.00 x 1.125 x 0.063 in.	C
4	631222	• Spring, silicone, 1.25 x 1.50 in.	C
5	631220	Spacing ring	A, B, C
6	631212	Outer wear sleeve, PTFE	A, C
7	940284	• O-ring, silicone, 1.375 x 1.50 x 0.063 in.	A, C
8	631224	Outlet distributor, PTFE	C
9	631216	Inner wear sleeve, PTFE	A, C
10	631210	Positioning ring	A, B, C
11	631211	Stud, M8 x 9.65 in. long	C
12	631234	Distributor, inlet, PTFE	C
13	631232	Inlet wear sleeve assembly, PTFE	C
14	940284	• O-ring, silicone, 1.375 x 1.50 x 0.063 in.	C
15	940243	• O-ring, silicone, 1.125 x 1.25 x 0.063 in.	C
16	631228	Body Assembly	D
<p>NOTE A: Included in Inner/Outer Wear Sleeve Service Kit 631208. B: Included in Positioning and Spacing Ring Service Kit 631209. C: Included in PTFE Charge Module Service Kit 631207. D: Body assembly order must include gun part number and serial number.</p>			

Diffuser
Refer to page 16-4.



Sprayheads and Nozzles
Refer to page 17-2

Figure 16-1 Tribomatic II Automatic Gun

Tribomatic II Automatic Gun Diffuser

See Figure 16-2.

Item	Part	Description	Note
	631271	Diffuser assembly	
1	635007	Nozzle	
2	940117	<ul style="list-style-type: none">• O-rings	
3	940224	<ul style="list-style-type: none">• O-ring	

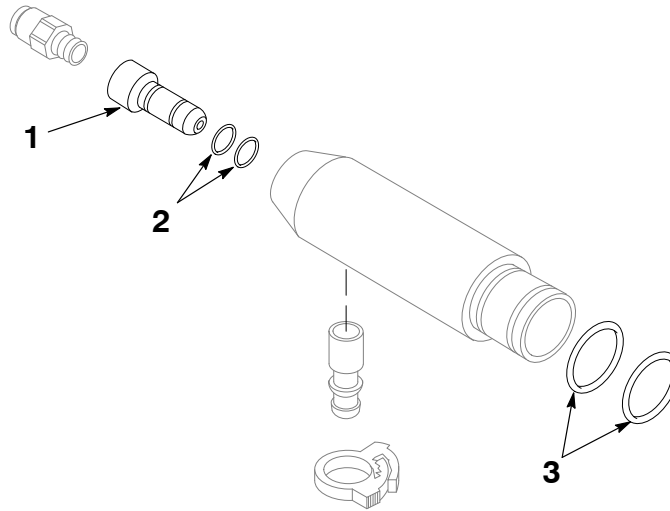


Figure 16-2 Diffuser for Tribomatic II Automatic Gun

Tribomatic II Manual Powder Spray Gun

See Figure 16-3. For a complete parts list refer to manual 1098020.

Item	Part	Description	Note
	1097997	Handgun assembly, Tribomatic II, 6 meter, PTFE, Tivar	G
1	631359	• Pattern adjust sleeve	
2	631225	• Extension	
3	631344	• Outlet sleeve assembly, Tivar	C
4	940224	• • O-ring, silicone	C
5	631222	• • Spring, silicone	C
6	631220	• Spacing ring	A, B, C
7	940284	• O-ring, silicone	B, C
8	631212	• Outer wear sleeve	B, C
9	631346	• Outlet distributor, Tivar	C
10	631216	• Inner wear sleeve, PTFE	B, C
11	631210	• Positioning ring	A, B, C
12	631211	• Stud, M8 x 9.56 in.	C
13	631345	• Inlet distributor, Tivar	C
14	631342	• Inlet wear sleeve assy, Tivar	C
15	940284	• • O-ring, silicone	C
16	940243	• • O-ring, silicone	C
17	631339	• Body assembly	D,DS
18	631361	• Deflector assy, 26 mm, Tivar, with holes	
20	940066	• • O-ring, silicone	H
21	1076395	• Cable, Tribomatic 500, 6 meter, Vantage	F
22	631334	• Ground pad	
23	631328	• Handle service kit	
24	160104	• Trigger service kit	
25	132336	• Trigger switch actuator	
19	631363	Deflector assembly, 26 mm, Tivar	
19	631367	Deflector assembly, 26 mm, PTFE	
18	631365	Deflector assembly, 26 mm, PTFE, with holes	
20	940066	• O-ring, silicone	H
21	631335	Cable, 4 meter	E,DS
21	631336	Cable, 8 meter	E,DS
21	631337	Cable, 12 meter	E,DS

NOTE A: Included in Positioning and Spacing Ring Kit 631209.

B: Included in Inner/Outer Wear Sleeve Service Kit 631208.

C: Included in PTFE/Tivar Charge Module Service Kit 631325.

D: Body assembly order must include gun part number and serial number.

E: Use with Tribomatic II control unit.

F: Use only with Vantage manual controller.

G: If using the Tribomatic II control unit, the compatible cable must be ordered separately.

H: Included with all deflectors.

DS: Discontinued – Availability subject to change.

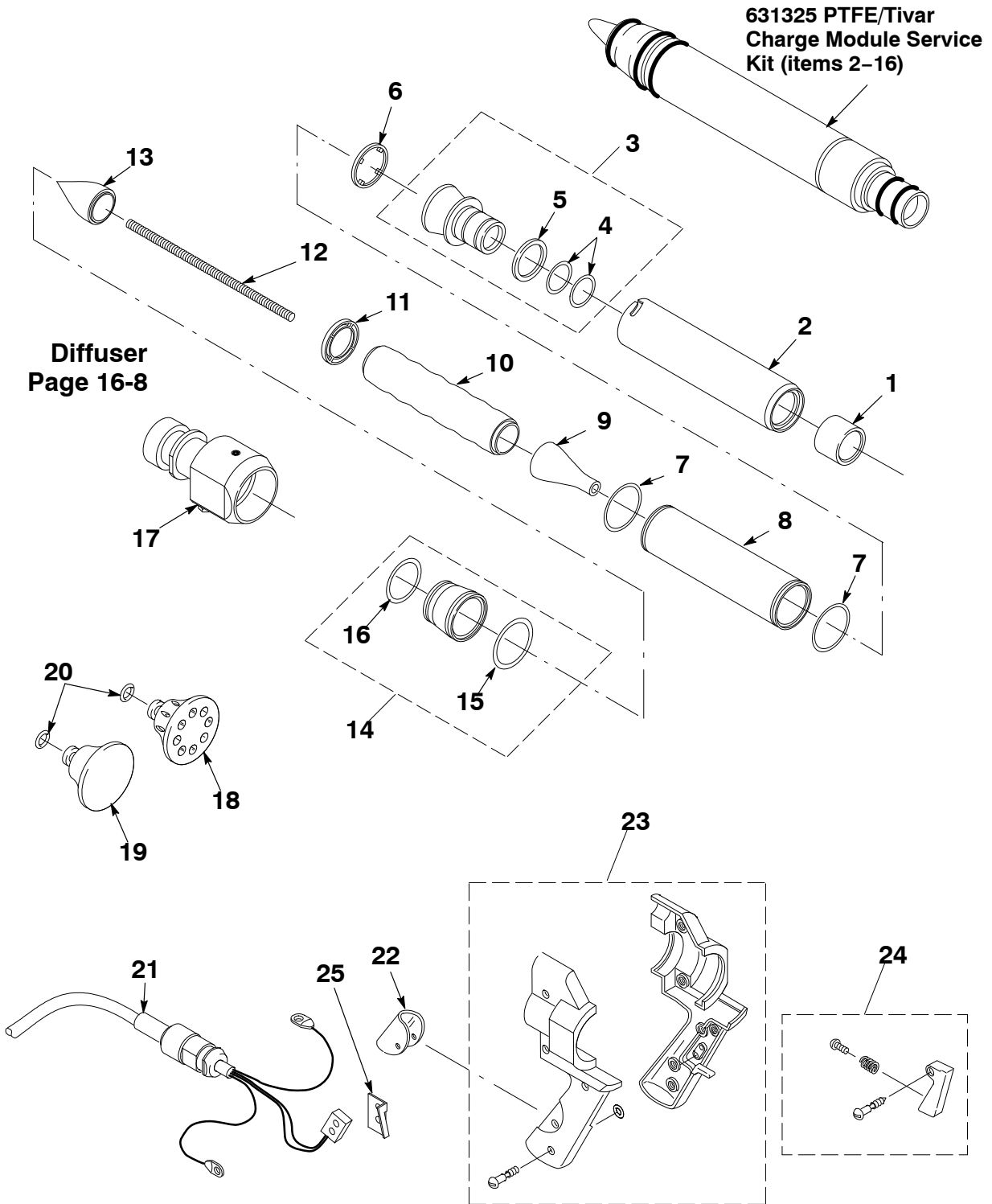


Figure 16-3 Tribomatic II Manual Gun

Tribomatic Manual Gun Diffuser

See Figure 16-4.

Item	Part	Description	Note
	631371	Diffuser assembly	
1	631375	• Nozzle	
2	940117	• O-rings	
3	631374	• Housing	
4	940224	• O-ring, silicone	
5	635006	• Connector, diffuser	
6	972080	• Connector, male	
7	939247	• Clamp, hose	

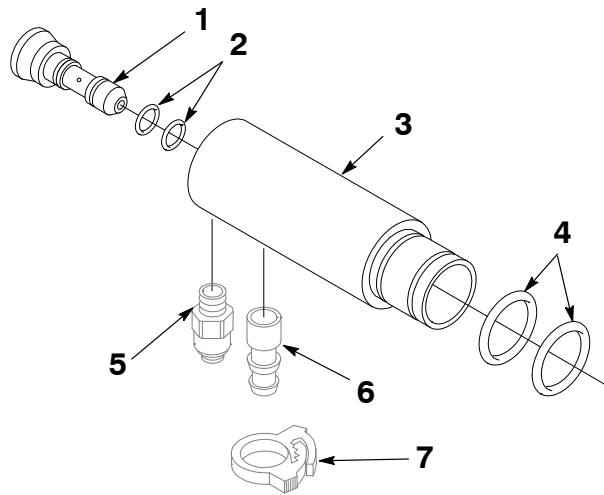


Figure 16-4 Diffuser for Tribomatic II Manual Gun

Tribomatic II Lance Extensions

See Figure 16-5.

Item	Part	Description	Note
	631385	Lance extension, 100 mm	A
	631386	Lance extension, 150 mm	A
1	631395	• Adapter, 100 mm	DS
1	631396	• Adapter, 150 mm	DS
2	145558	• Nozzle w/O-rings	
3	941181	• • O-rings	
4	941205	• • O-ring	
5	144759	• Pattern adjuster	
6	631390	• Deflector support	DS
7	940084	• O-ring	
8	631392	• PTFE deflector w/O-ring, 26 mm with holes	
9	133734	• Tivar deflector w/O-ring, 26mm w/o holes	
10	940084	• O-ring	
11	631394	• Distributor cone w/O-ring	
12	940066	• • O-ring	

NOTE A: When installing lance extension: Remove standard deflector and plug from gun outlet distributor and install cone distributor.

DS: Discontinued – Availability subject to change.

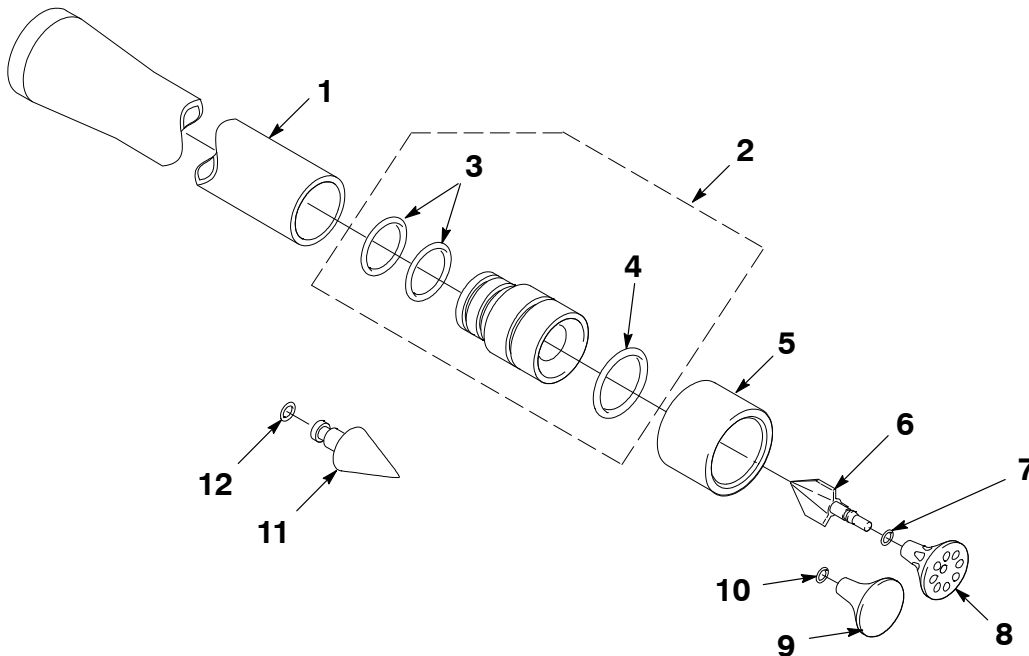


Figure 16-5 Lance Extensions for Tribomatic II Guns

Tribomatic II Cup Gun Kit

See Figure 16-6. For a complete parts list refer to manual 107170.

Item	Part	Description	Note
	183469	Cup gun kit, Tribomatic II	
1	183464	• Funnel kit	
2	183453	• • Funnel lid	
3	183451	• • Funnel	
4	900784	• • Cap, plug	
5	183462	• Venturi nozzle w/O-rings	
6	940126	• O-rings	
7	183457	• Diffuser housing	
8	940224	• O-rings	

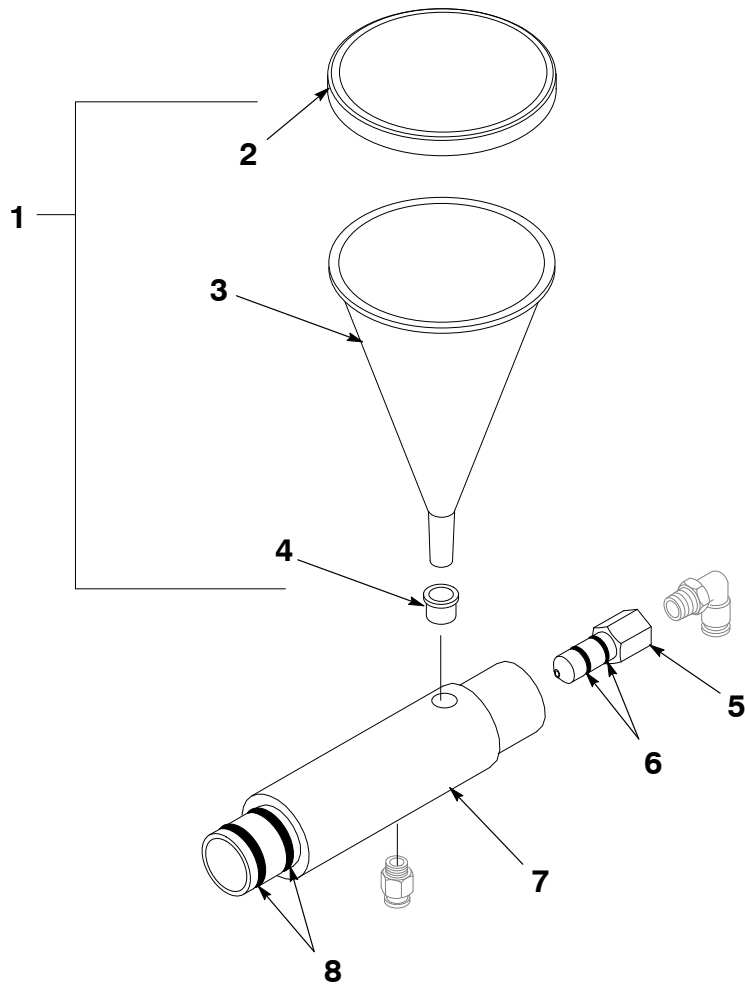


Figure 16-6 Cup Gun Kit for Tribomatic II Manual Guns

Tribomatic 500 Manual Powder Spray Gun

See Figure 16-7. For a complete parts list refer to manual 237467.

Item	Part	Description	Note
	1076394	Gun, manual, Tribomatic 500, 6 meter cable	
1	304389	Outer charge sleeve service kit	
2	326656	• Pattern adjuster retainer	
3	940184	• Conductive O-ring	
4	941231	• O-ring	
5	173138	Deflector 19 mm, w/O-ring	
6	302402	Pattern sleeve adjuster	
7	304388	Inner charge sleeve service kit	
8	302411	• Inlet distributor	
9	302412	• Guide	
10	302404	• Outlet distributor	
11	302407	Outer charge sleeve	
12	940175	O-ring	
13	302410	Diffuser service kit	
14	941162	• O-ring	
15	941154	• Conductive O-ring	
16	302409	Body	
17	941181	O-ring	
18	132336	Actuator	
19	631335	Cable, 4 meter	DS
19	1076395	Cable, 6 meter	
19	631336	Cable, 8 meter	DS
19	631337	Cable, 12 meter	DS
20	160104	Trigger service kit	
21	304390	Handle service kit	
NS	1076395	Cable, Tribomatic 500, 6m	

DS: Discontinued – Availability subject to change.

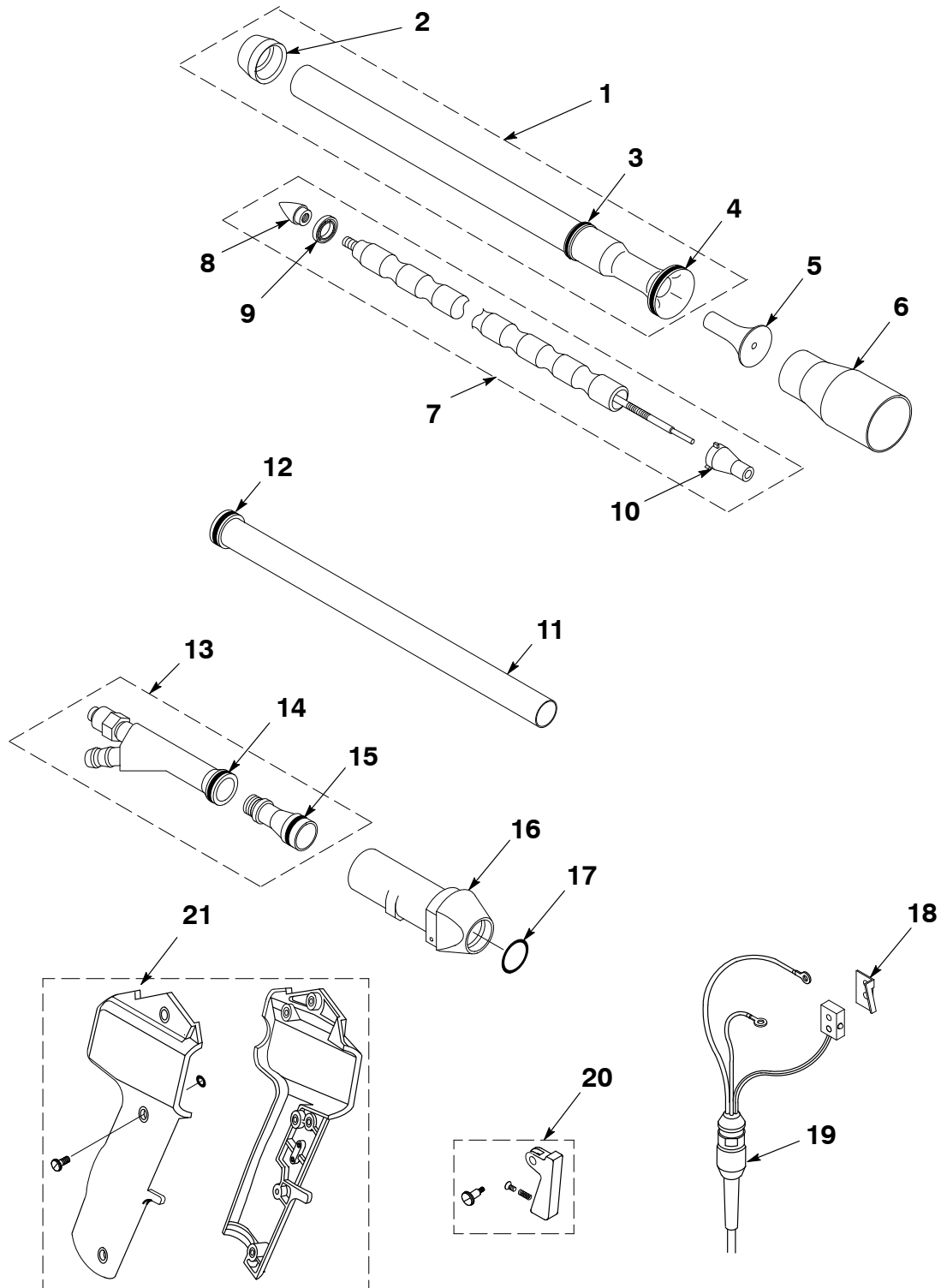


Figure 16-7 Tribomatic 500 Manual Gun

Tribomatic 500 Manual Gun Cup Gun Kit

See Figure 16-8. For a complete parts list refer to manual 303831.

Item	Part	Description	Note
	306162	Cup gun kit, Tribomatic 500 manual	
1	183464	• Funnel kit	
2	183453	• • Funnel lid	
3	183451	• • Funnel	
4	900784	• • Cap, plug	
5	940137	• O-ring	
6	183462	• Venturi nozzle w/O-rings	
7	940126	• O-rings	
8	305796	• Housing	
9	941162	• O-ring	
10	941153	• O-ring	
11	225547	• Throat, Tivar, w/O-rings	
12	940126	• • O-rings	

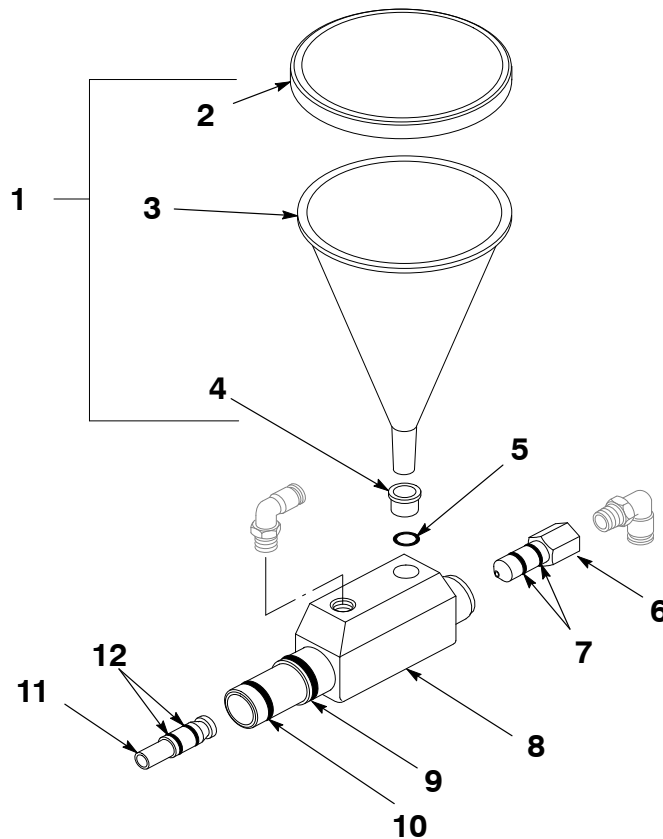


Figure 16-8 Cup Gun Kit for Tribomatic 500 Manual Gun

Tribomatic Powder Feed Pumps

Tribomatic II Feed Pump

See Figure 16-9. For a complete parts list refer to manual 106570.

Item	Part	Description	Note
	631401	Pump, Tribomatic 2, single	
1	631420	Venturi nozzle	
2	940129	O-rings	
3	631408	Venturi throat, Tivar, w/O-rings	
3	635001	Venturi throat, PTFE, w/O-rings	
4	940126	• O-rings	
5	940165	O-rings	
6	635003	Throat holder	
7	139943	Hose connector, low flow	
8	249507	Wear tube	A

NOTE A: Use this wear tube with 12.7-mm (0.50-in.) ID powder tubing.

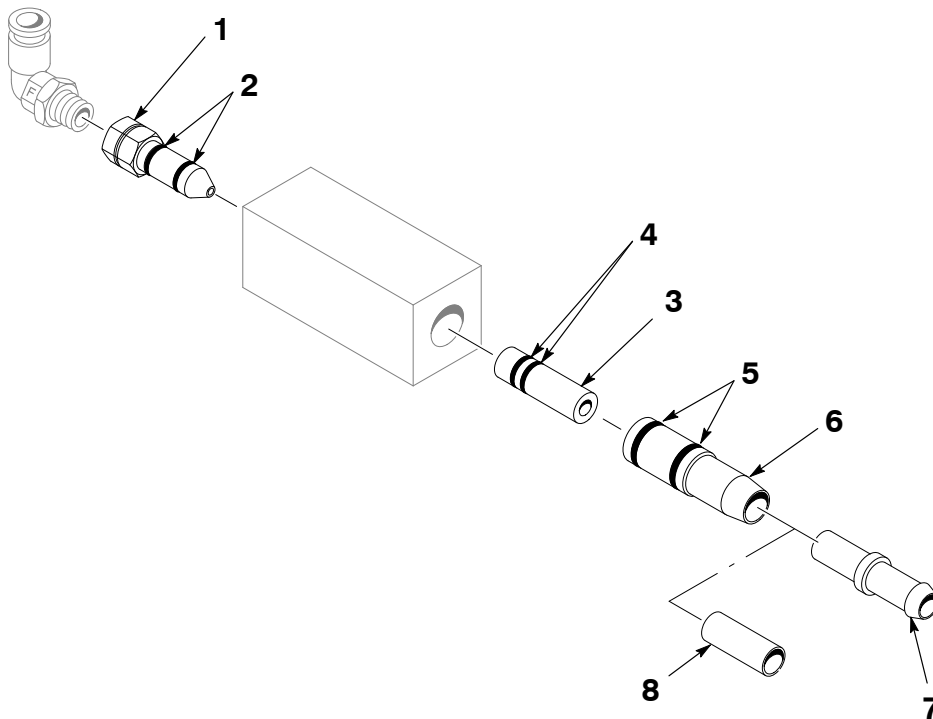


Figure 16-9 Tribomatic II Feed Pump

Tribomatic II Modular Pump

See Figure 16-10. For a complete parts list refer to manual 107128.

Item	Part	Description	Note
	224715	Tribo, pump, modular	
1	224735	Plug, atomizing shutoff	
2	940129	O-ring, silicone, conductive	A
3	940010	O-ring, silicone, conductive	A
4	224727	Flow air nozzle	
5	940207	O-ring, silicone, conductive	A
6	224726	Modular pump body	
7	225547	Throat, 0.188 in. ID, Tivar, w/O-rings	
8	940126	• O-ring, silicone	
9	224730	Throat holder	
10	940015	O-ring, silicone, conductive	A
11	940177	O-ring, silicone, conductive	A
12	224736	Wear tube	
Optional Venturi Throats with O-rings			
7	225549	Throat, 0.188 in. ID, PTFE	B
NOTE A: Electrically conductive black silicone. Do not replace with non-conductive O-rings.			
NOTE B: PTFE is more resistant to powder impact fusion than Tivar but may wear faster.			

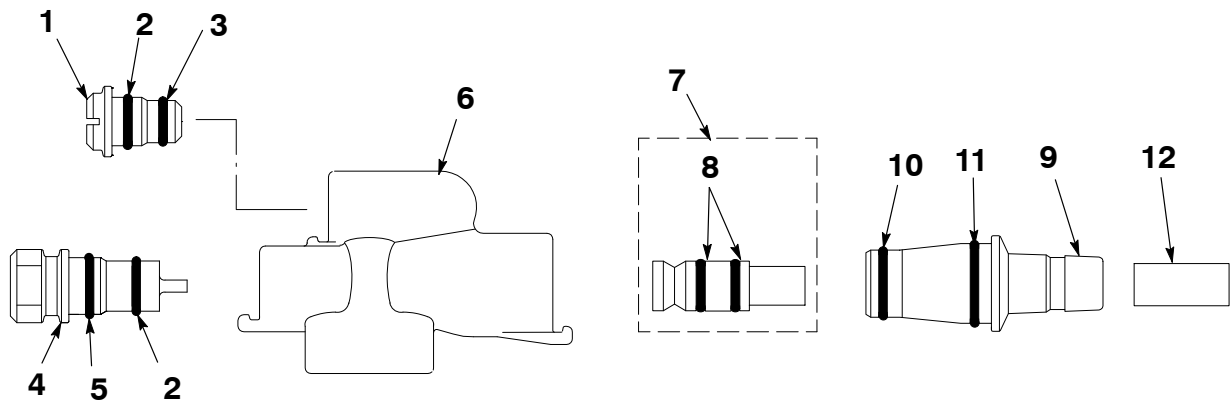


Figure 16-10 Tribomatic II Modular Feed Pump

Encore Generation II Tribomatic Pump

See Figure 16-11. For a complete parts list refer to manual 1095927.

Item	Part	Description	Quantity	Note
—	1095924	Pump assembly, Tribo, Encore Gen II, pkg	—	
1	1095914	• Nut, pump, Encore Gen II	1	
2	1095898	• Holder, pump throat, Encore Gen II	1	
3	940147	• O-ring, silicone, 0.50 x 0.625 x 0.063 in.	2	
4	1095899	• Throat, pump, Encore Gen II, Tivar	1	A
5	1095913	• Body, pump, Encore Gun II	1	
6	1095885	• O-ring, -113, silicone, conductive, duro 70	2	
7	241041	• Coupling, quick disconnect, socket end	1	
8	973402	• Plug, pipe, socket, flush, 1/8 in. zinc	1	
9	1096081	• Connector, female, elbow, $\frac{5}{16}$ (8mm) T x $\frac{1}{8}$ NPT, no seal	1	
10	1600595	• Nozzle, pump, air flow, Encore Gen II	1	
11	940084	• O-ring, 0.188 x 0.312 x 0.063	1	
NS	1088590	• O-ring, silicone, conductive, 0.627 x 0.080 in.	2	B

NOTE A: For optional virgin PTFE throat, order part number 1095910.

B: These O-rings replace item 6 O-rings when the pump is used in a European designed lance assembly.

NS: Not Shown

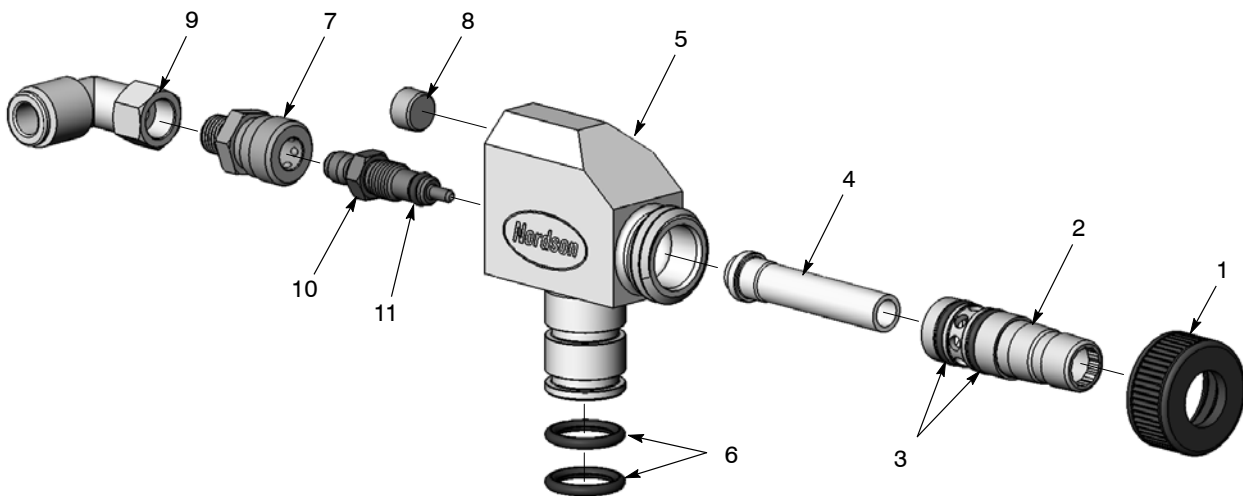


Figure 16-11 Encore Generation II Tribomatic Pump

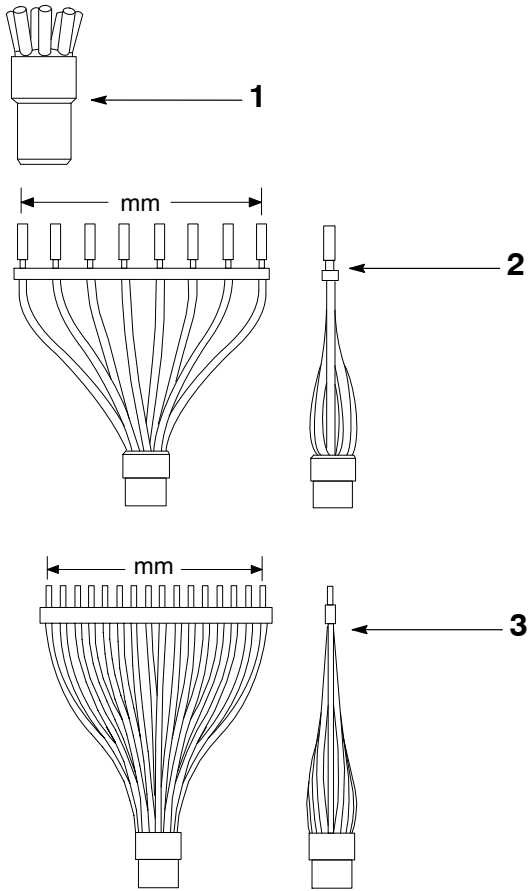
Section 17
Tribomatic® Spray Heads and Nozzles

Tribomatic Automatic Gun Spray Heads and Nozzles 17-2

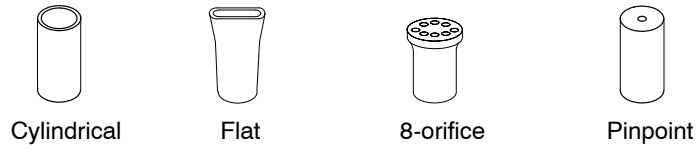
Tribomatic Automatic Gun Spray Heads and Nozzles

See Figure16-12.

Item	Part	Description	Note
8-Tube Sprayheads			
1	630010	Short, 8 tube	
2	630330	105 mm, fixed, 8 tube	
2	630209	130 mm, fixed, 8 tube	
2	630169	165 mm, fixed, 8 tube	
2	630201	200 mm, fixed, 8 tube	
2	630322	235 mm, fixed, 8 tube	
2	630008	270 mm, fixed, 8 tube	
2	630184	305 mm, fixed, 8 tube	
2	630171	360 mm, fixed, 8 tube	
2	630208	425 mm, fixed, 8 tube	
2	630323	460 mm, fixed, 8 tube	
—	630017	Cylindrical nozzle, 8 tube	A
16-Tube Sprayheads			
3	630326	230 mm, fixed, 16 tube	
3	630336	260 mm, fixed, 16 tube	
3	630363	365 mm, fixed, 16 tube	
3	630369	425 mm, fixed, 16 tube	
3	630366	515 mm, fixed, 16 tube	
—	630340	Cylindrical nozzle, 16 tube	B
8-Tube Sprayhead Nozzles			
—	630017	Cylindrical	
—	630018	Flat	
—	630019	8 orifice	
—	630166	Pinpoint	
16-Tube Sprayhead Nozzles			
—	630391	Flat	
—	630390	8 orifice	
—	630392	Pinpoint	
NOTE A: This nozzle is included with all 8-tube fixed sprayhead nozzles.			
NOTE B: This nozzle is included with all 16-tube fixed sprayhead nozzles.			



8-Tube Sprayhead Nozzles



16-Tube Sprayhead Nozzles



Figure 17-12 Spray Heads and Nozzles for Tribomatic Automatic Guns

Section 18

Previous Generation

NOTE: Contact a Nordson representative for current availability on any previous generation products.

Encore iControl Systems	18-3
Encore iControl Systems for Automatic Guns	18-4
Powder Feed Centers	18-11
Powder Pumps	18-39
HDLV Systems	18-47
Prodigy Nozzles and Nozzle Kits	18-91
Sure Coat® Systems	18-95
Sure Coat and Econo-Coat Nozzles	18-103
Vantage® Systems	18-105
Versa-Spray II IPS Automatic Spray Systems	18-123
Vantage Manual and Versa-Spray Automatic Nozzles	18-139

Encore iControl Systems

Encore iControl Systems for Automatic Guns	18-4
Consoles	18-4
Console Parts	18-5
iControl Air Conditioning Conversion Kits	18-7
iControl Control Panel	18-7
iFlow Digital Airflow Control	18-9
iFlow Dual Gun Driver	18-9
Miscellaneous Parts	18-10

Encore iControl Systems for Automatic Guns

Consoles

Parts numbers listed for reference only. For a complete parts list refer to manual 1105821.

NOTE: The current iControl software version is 3.8.2. Contact your Customer Support Center for information on software upgrades.

Description
Consoles with CPU and Touch Screen Display
Controller, iControl, 4 gun, w/cpu
Controller, iControl, 4 gun, w/cpu, w/ac
Controller, iControl, 6 gun, w/cpu
Controller, iControl, 6 gun, w/cpu, w/ac
Controller, iControl, 8 gun, w/cpu
Controller, iControl, 8 gun, w/cpu, w/ac
Controller, iControl, 10 gun, w/cpu
Controller, iControl, 10 gun, w/cpu, w/ac
Controller, iControl, 12 gun, w/cpu
Controller, iControl, 12 gun, w/cpu, w/ac
Controller, iControl, 14 gun, w/cpu
Controller, iControl, 14 gun, w/cpu, w/ac
Controller, iControl, 16 gun, w/cpu
Controller, iControl, 16 gun, w/cpu, w/ac
Consoles without CPU and Touch Screen Display
Controller, iControl, 4 gun, w/o cpu
Controller, iControl, 4 gun, w/o cpu, w/ac
Controller, iControl, 6 gun, w/o cpu
Controller, iControl, 6 gun, w/o cpu, w/ac
Controller, iControl, 8 gun, w/o cpu
Controller, iControl, 8 gun, w/o cpu, w/ac
Controller, iControl, 10 gun, w/o cpu
Controller, iControl, 10 gun, w/o cpu, w/ac
Controller, iControl, 12 gun, w/o cpu
Controller, iControl, 12 gun, w/o cpu, w/ac
Controller, iControl, 14 gun, w/o cpu
Controller, iControl, 14 gun, w/o cpu, w/ac
Controller, iControl, 16 gun, w/o cpu
Controller, iControl, 16 gun, w/o cpu, w/ac

Console Parts

See Figures 18-1 and 18-2. For a complete parts list refer to manual 1105821.

Item	Part	Description	Quantity	Note
1	1107144	PCA, dual gun driver, iControl, Encore	1	
16	1100090	CONTROL UNIT, PC, panel mount, w/Ethernet	1	
65	1051544	• INTERFACE CARD, PC104 CAN	1	B
66	1105343	• CARD, I/O, PC104	1	B
17	1000594	SWITCH, keylock, 3 position	1	
18	1000595	CONTACT block, 1-N.O. and 1-N.C. contact	2	
19	1036690	PANEL, keypad, iControl	1	
20	1100775	MODULE, 24 channel opto-isolated digital input	1	
63	-----	• CABLE, IDE, 80-conductor	1	
21	1107146	JUMPER, comb style, 12 pole, 10 mm spacing	AR	A, C
23	1034281	MEMORY, CompactFlash	1	
24	1034283	MEMORY, programmed, iControl	1	
25	240674	TAG, ground	AR	C
26	983401	WASHER, lock, split, M5, steel, zinc	AR	C
27	984702	NUT, hex, M5, brass	AR	C
28	288806	CONTACT BLOCK, 2 N.O. contacts	1	
29	334806	SWITCH, round, 2 position, 90 degree	1	
NS	1055881	CABLE, CAT5 Ethernet, T568B colors, 30 ft	1	

NOTE A: Jumpers may need to be trimmed to fit into the terminals.
 B: Included with control unit.
 C: Quantities of noted parts depends on system configuration and console type.

AR: As Required
 NS: Not Shown

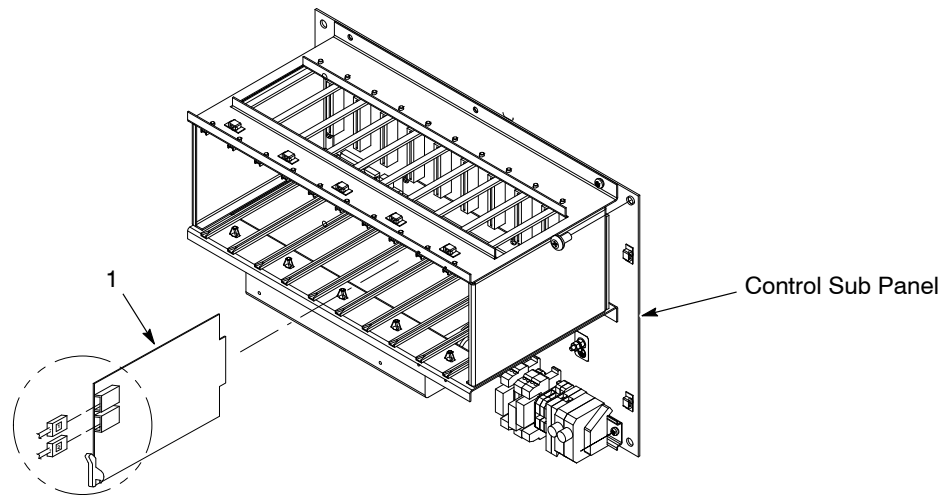


Figure 18-1 Control Sub Panel

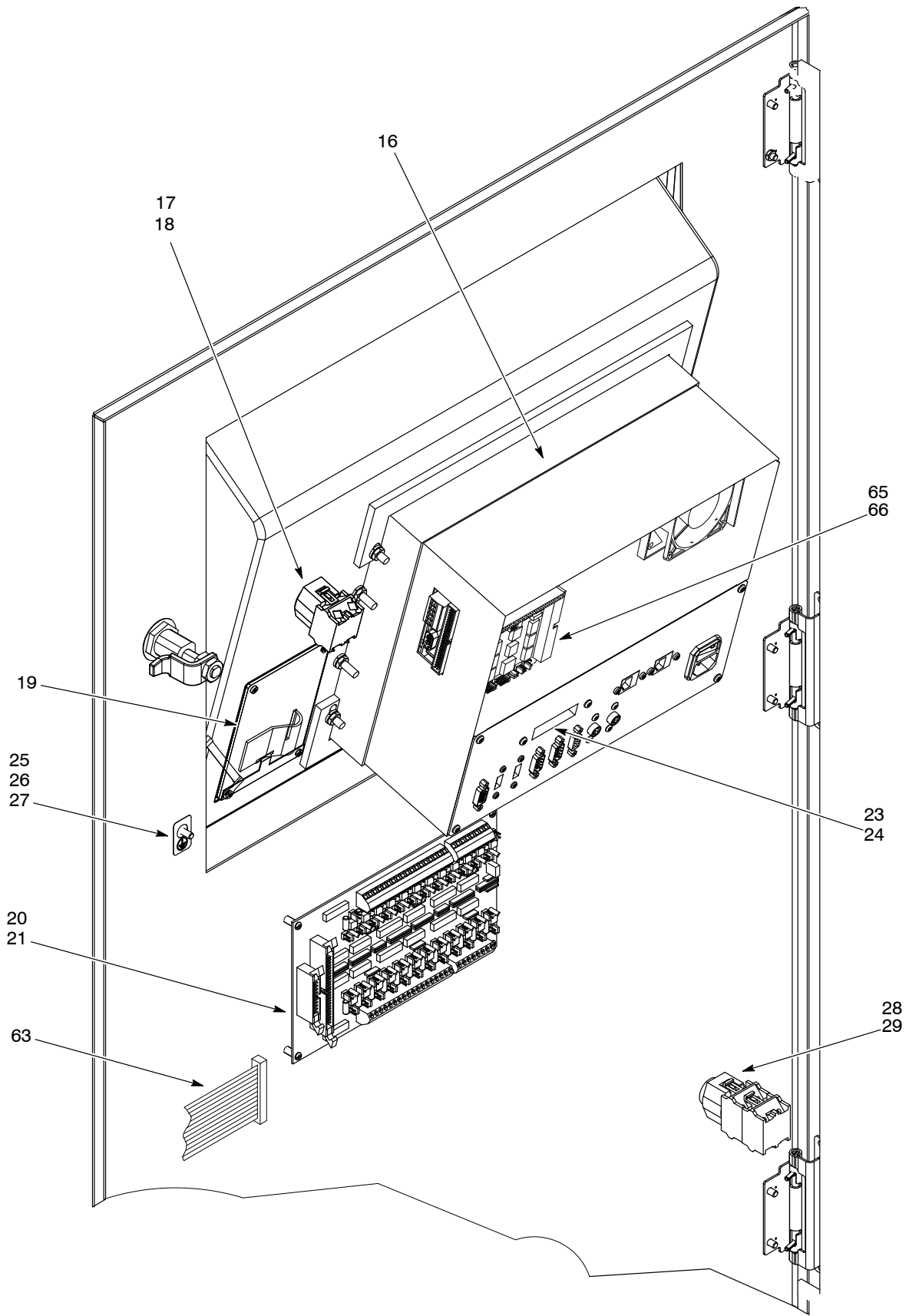


Figure 18-2 Console Parts

iControl Air Conditioning Conversion Kits

For a complete parts list refer to manual 1077687.

Part	Description	Note
1080049	Conversion kit, AC unit,iControl	

iControl Control Panel

See Figures 18-3 and 18-4 .

Item	Part	Description	Note
1	1036690	Panel, keypad, iControl	A
2	-----	Adapter, CompactFlash, dual with plate and cables	A
3	1034281	Memory, CompactFlash	A
4	1034283	Memory, programmed iControl	A, B

NOTE A: Used only on master consoles.

B: Contains iControl software and operating system. Contact your Nordson representative for replacement and upgrade.

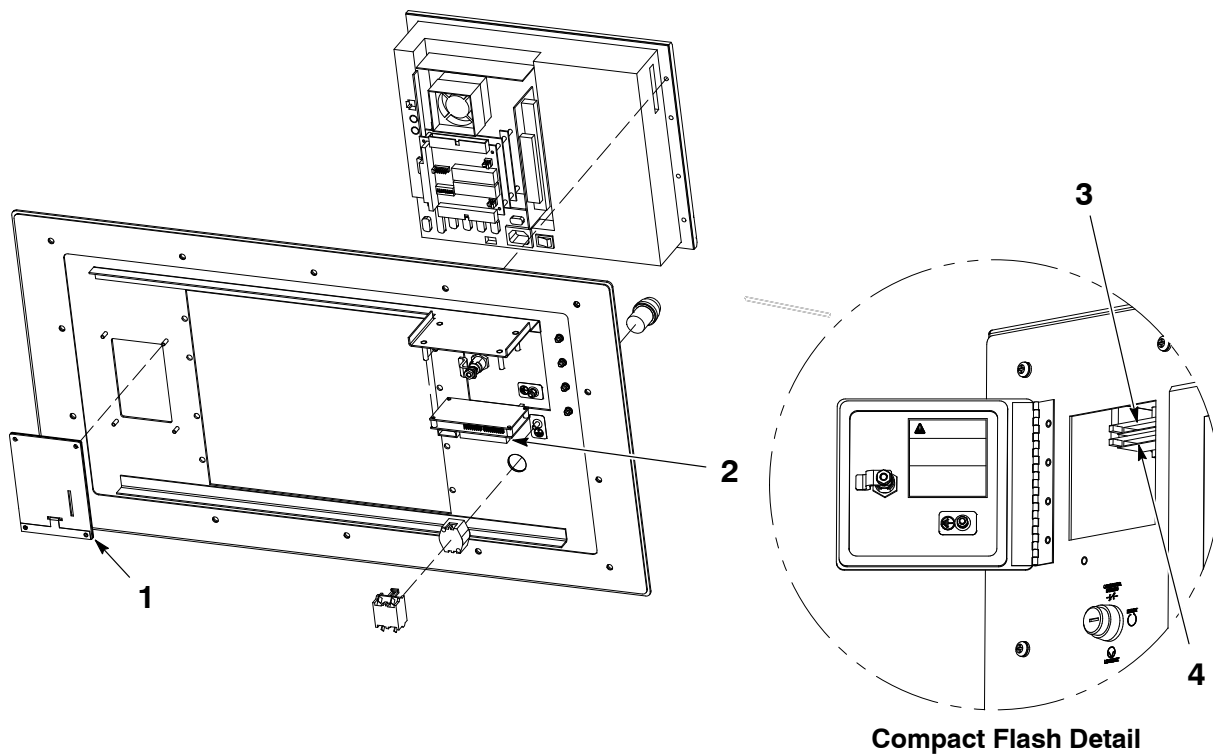


Figure 18-3 iControl Control Panel (Old Style Console)

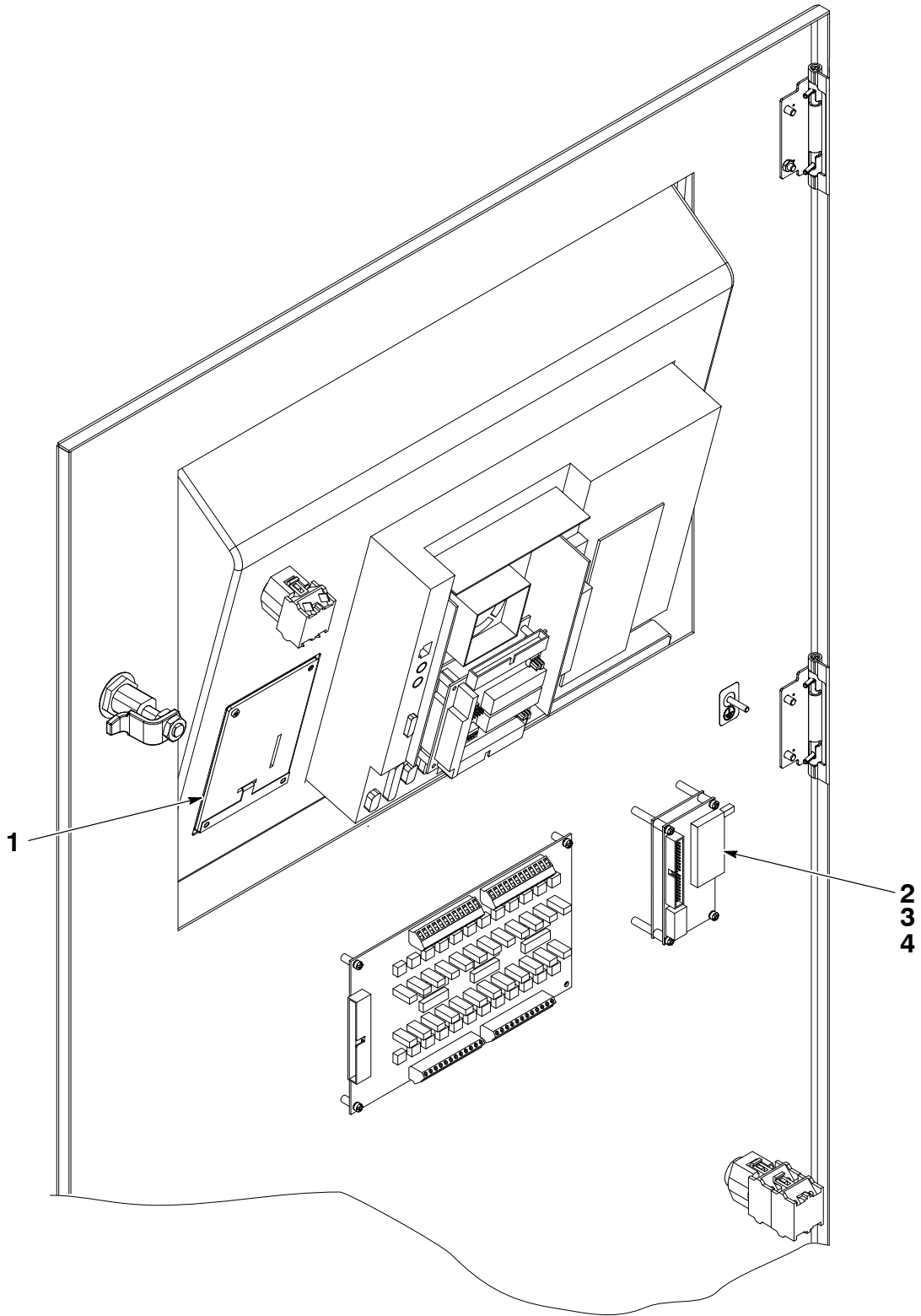


Figure 18-4 iControl Control Panel (New Style Console)

iFlow Digital Airflow Control

See Figures 18-5 and 18-6.

Item	Part	Description	Note
1	1036657	Module, digital airflow control	

iFlow Dual Gun Driver

See Figures 18-5 and 18-6.

Item	Part	Description	Note
2	1023877	PCA, dual gun driver	

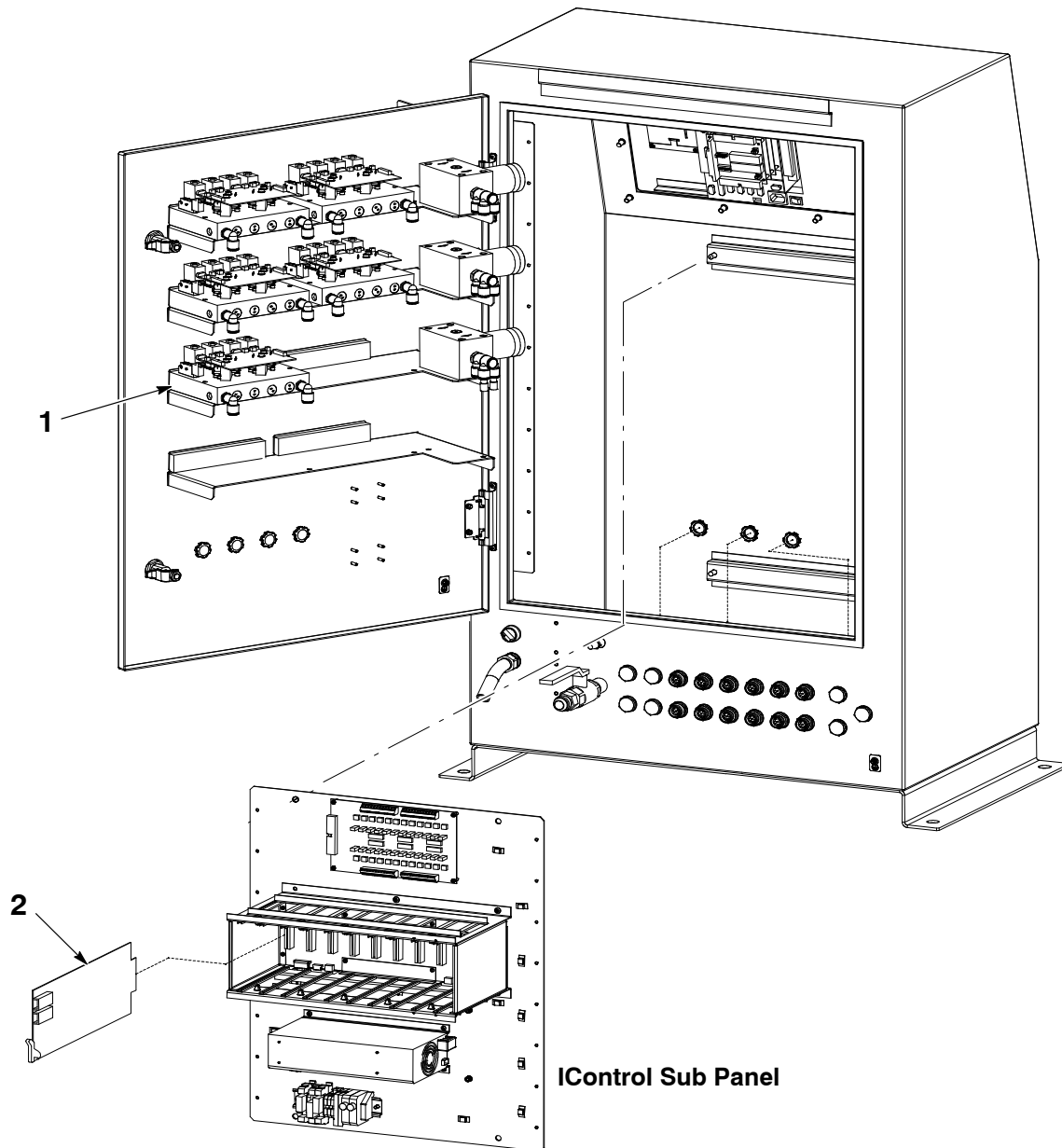


Figure 18-5 iControl Console (Old Style)

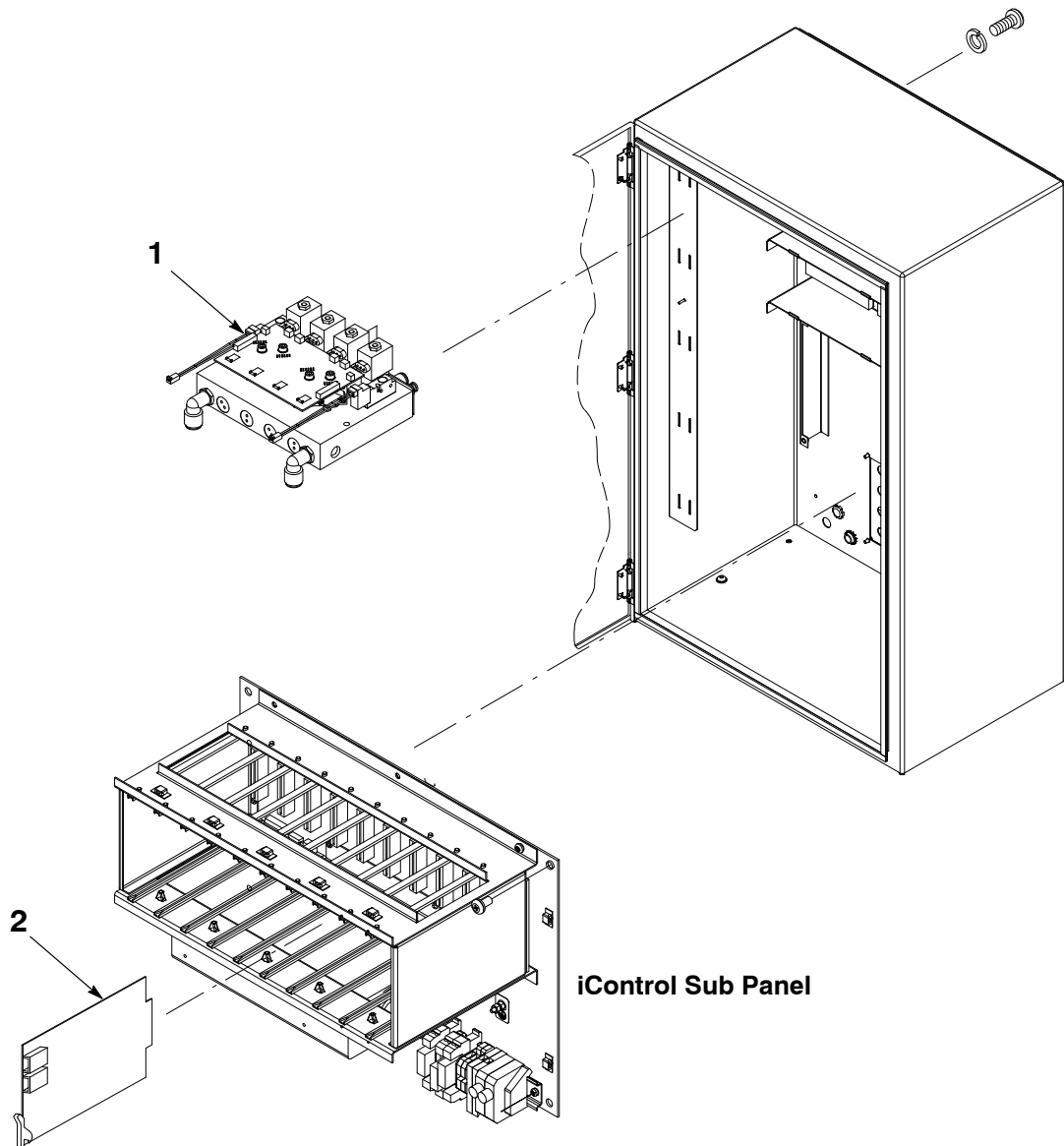


Figure 18-6 iControl Console (New Style)

Miscellaneous Parts

Part	Description	Note
1039886	Kit, boost, iControl	A
1047526	Filter, gas and compressed air	
1047524	Element, filter	
1035665	Kit, purge, single, controller	
1035666	Kit, purge, dual, controller	

NOTE A: Flow-rate air flow boost kit for PE spray guns.

Powder Feed Centers

Spectrum® Powder Feed Center (Global Feed Center) ...	18-12
Lift Assembly Parts	18-12
Lance Assembly Parts	18-14
Purge Manifold and Pneumatics	18-20
Hopper Platform and Vibrator Parts	18-22
Sieve and Mounting Parts	18-23
Options	18-26
Spectrum II Powder Feed Center	18-30
Sieve Parts	18-30
Lance Parts	18-32
Vibratory Table and Purge Assembly	18-34
Fan Housing Assembly	18-36
Blowdown Housing Assembly	18-37
Cartridge Filter Housing Assembly	18-38
Fluid Bed Assembly	18-38

Spectrum® Powder Feed Center (Global Feed Center)

NOTE: Contact your Nordson Customer Service Representative when ordering Spectrum and Spectrum II replacement parts to verify the parts being ordered are for the correct system.

Lift Assembly Parts

See Figure18-7.

Item	Part	Description	Quantity	Note
1	1103503	CYLINDER, lock, 63 x 750	1	B
2	1103505	SWITCH, cylinder proximity	3	
3	1103936	CLEVIS, Festo rod, M16	1	
4	1103937	FITTING, flow control, 3/G8G	2	
5	-----	SLEEVE, lift cylinder, Spectrum PFC	1	A
6	-----	WASHER, flat, 21 x 38 x 5 mm, stainless steel	1	A
7	981528	SCREW, socket, M8 x 30, zinc	4	C
8	982043	SCREW, socket, M10 x 1.5 x 20, zinc	3	C
<p>NOTE A: Sleeve and washer limit lift height for standard hoppers and boxes. Remove them only if using the Nordson NR-50 (50 lb.) cylindrical hopper.</p> <p>B: Cylinder only.</p> <p>C: Use Loctite 242 removable thread locking adhesive.</p>				

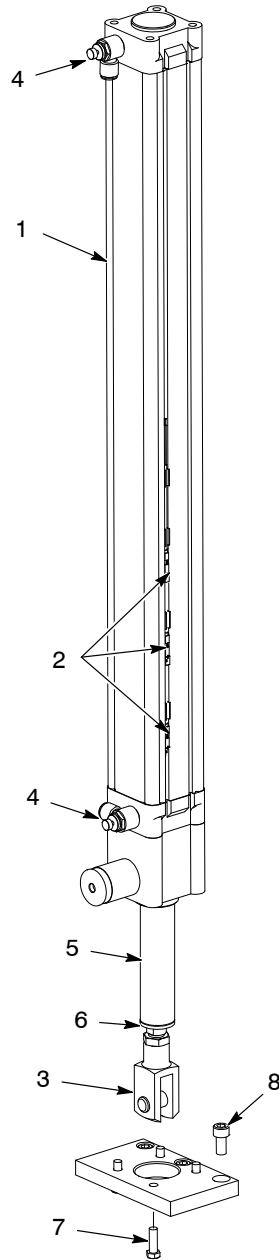


Figure 18-7 Lift Assembly Parts

Lance Assembly Parts

Fluidizing Latch Block Kits

See Figure 18-8. Use these kits to fluidize the powder around the lance assembly. These kits are typically used with non-fluidized powder sources such as boxes.

Item	Part	Description	Quantity	Note
1	1102803	KIT, fluidizing manifold, PFC	1	
1A	-----	• CONNECTOR, male, 6 mm tube x 1/4 BSPT	1	
1B	-----	• NUT, adapter, lance air tube	1	
1C	941113	• O-RING, silicone, 0.424 in. ID x 0.103 in. wide	2	
1D	-----	• NUT, air passage blanking	1	
1E	-----	• SLEEVE, locating, global PFC lance	2	
2	1102804	KIT, fluidizing tube, PFC	1	
2A	940142	• O-RING, silicone, 0.489 in. ID x 0.07 in. wide	4	
2B	-----	• TUBE, fluidizing, stainless steel	2	

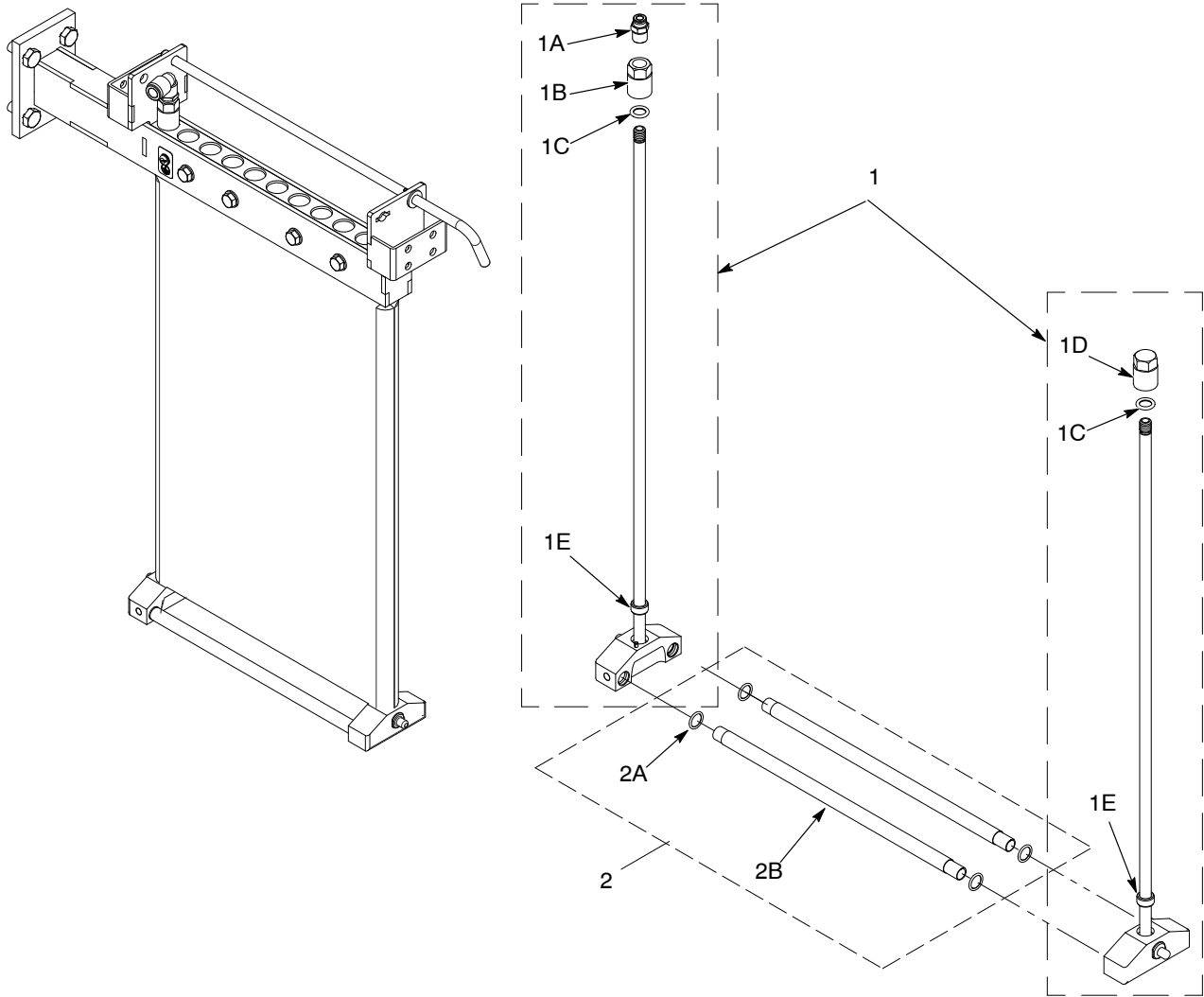


Figure 18-8 Fluidizing Latch Block Module Parts

Lance Port Plug Module

See Figure 18-9. Use this module to plug unused lance ports. The module includes all the parts shown.

Item	Part	Description	Quantity	Note
-	1100097	MODULE, plug, lance assembly port	1	
1	-----	• NUT, hex, acorn, M8	1	
2	-----	• NUT, hex, M8, steel, zinc	1	
3	-----	• WASHER, sealing, lance plug, global PFC	1	
4	-----	• SLEEVE, lance plug, global PFC	1	
5	-----	• ROD, threaded, lance plug, GPFC		
6	-----	• PLUG, lance, global PFC	1	
7	-----	• SCREW, set, cup point, M12 x 1.75, 12mm long, stainless steel	1	

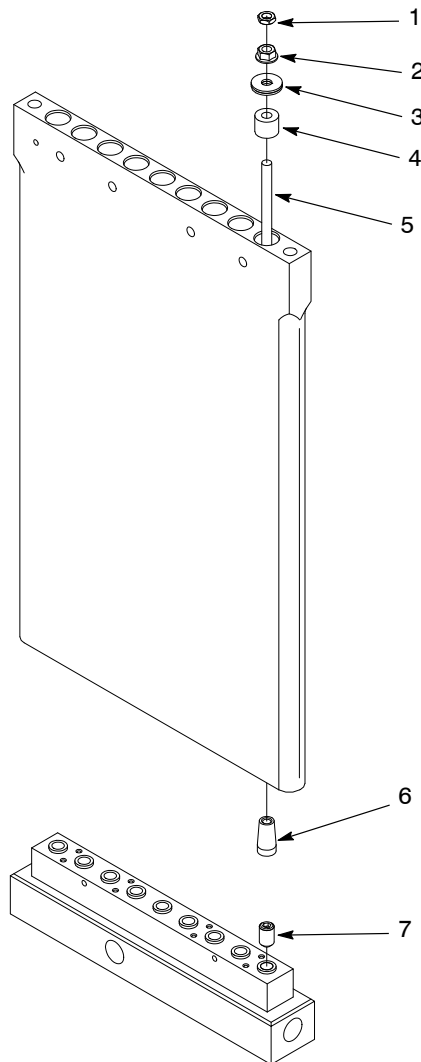


Figure 18-9 Lance Port Plug Module Parts

Level Sensor Module

See Figure 18-10. Use this module for the lance-mounted level sensor used in North America and Asia.

Item	Part	Description	Quantity	Note
-	1100078	MODULE, level sensor, North America and Asia	1	
1	1014553	• SENSOR, level, quick disconnect, M12	1	
2	1023925	• CABLE, 4 pin, M12 connector, 5 meters long	1	
3	-----	• SCREW, socket, M5 x 16, zinc	2	
4	345642	• NUT, lock, M5	2	
5	-----	• BRACKET, level sensor	1	
6	1100076	• SUPPORT, 16 mm shaft, clamping	1	

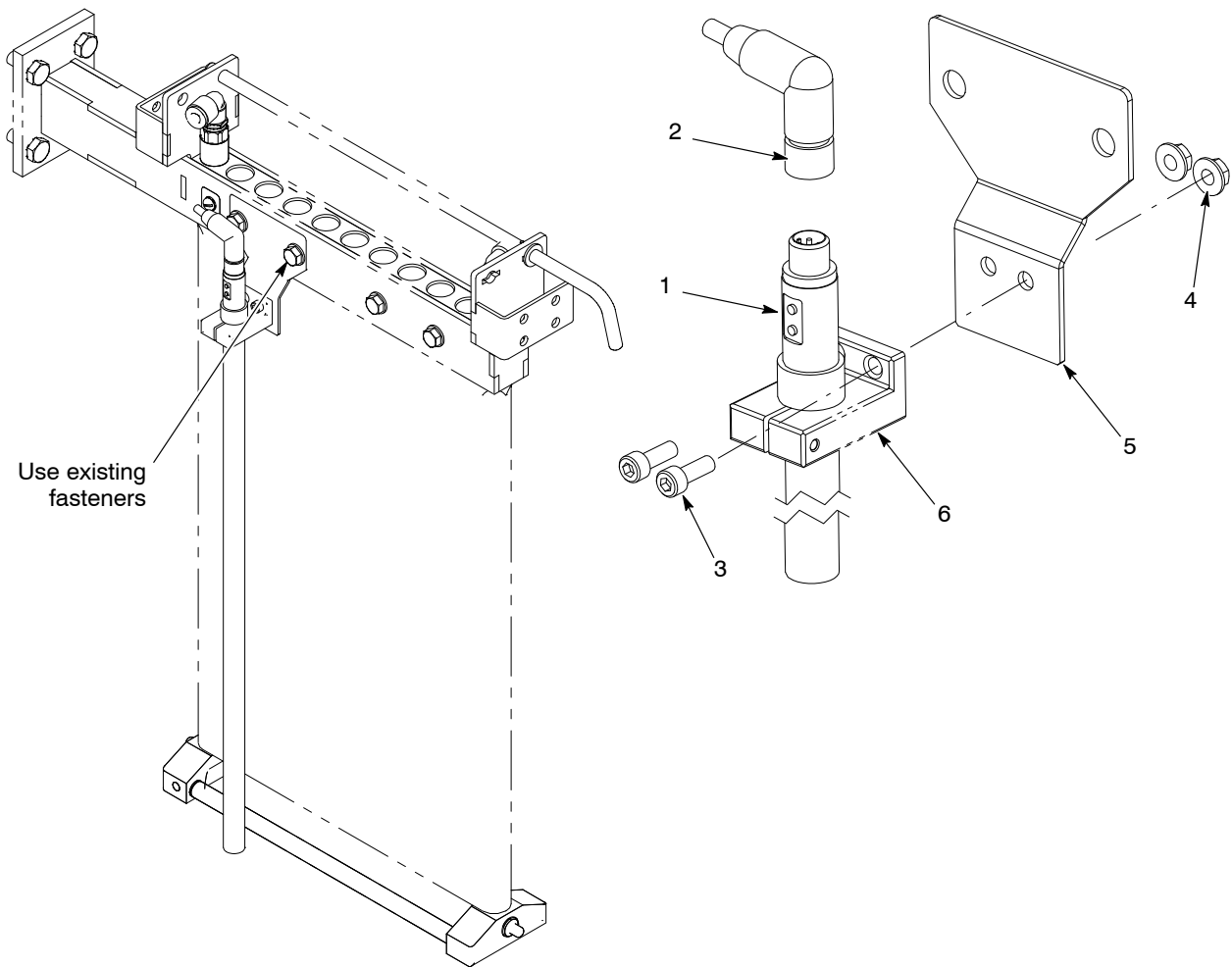


Figure 18-10 Level Sensor Module Parts

Prodigy Siphon Tube Module

See Figure 18-11. Use this module to provide powder to Prodigy manual guns through 8-mm tubing.

Item	Part	Description	Quantity	Note
-	1100131	MODULE, Prodigy, global PFC	1	
1	1100137	<ul style="list-style-type: none">• PRODIGY siphon tube, global PFC	1	
2	-----	<ul style="list-style-type: none">• CAP SCREW, button head socket, M4, 10 mm, steel, zinc plated	2	
3	-----	<ul style="list-style-type: none">• HOLDER, tool, spring type	2	
4	-----	<ul style="list-style-type: none">• NUT, lock, nylon, M4 steel, zinc	2	
5	-----	<ul style="list-style-type: none">• BRACKET, Prodigy siphon, global PFC	1	

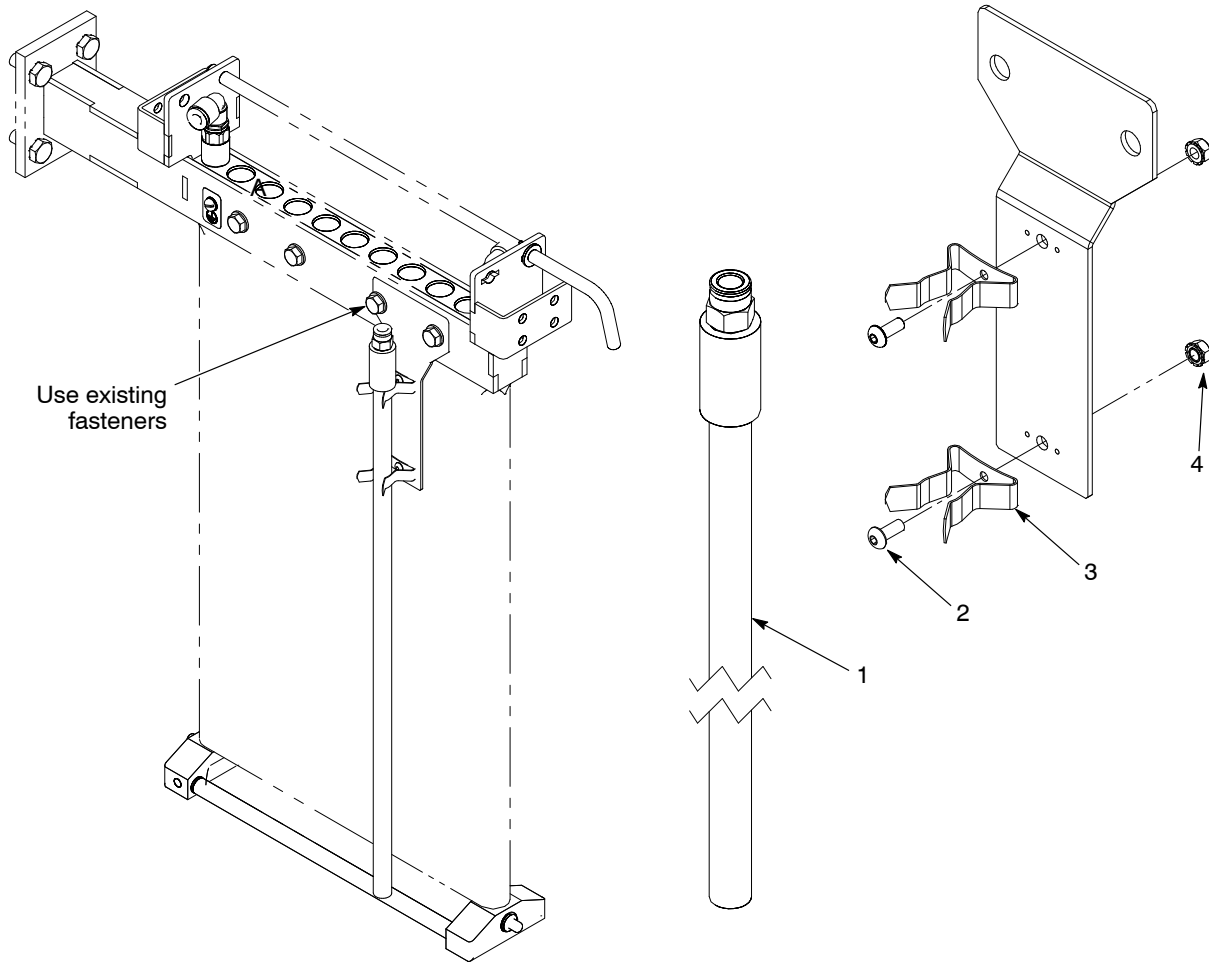


Figure 18-11 Prodigy Siphon Tube Module Parts

Purge Manifold and Pneumatics

Purge Manifold Assembly

See Figure 18-12. Quantities listed as As Required are dependent on the number of purge manifolds.

Item	Part	Description	Quantity	Note
1	1100045	CYLINDER, air, 40 x 160, Festo	1	A
2	1103505	SWITCH, cylinder proximity	2	
3	1103935	BRACKET, sensor, Festo DSEU40	2	
4	-----	ADAPTER, cylinder to clevis	1	
5	-----	PIN, roll, M10 x 40	1	
6	-----	SCREW, set, M6 x 6, cup, steel	1	
7	-----	CLEVIS, cylinder, 12mm, Festo	2	
8	1103934	FITTING, flow control, 1/8G	2	
9	-----	MANIFOLD, purge, global PFC	AR	
10	1100024	• QUAD RING, 208 silicone	9	
11	1100023	• GUIDE, lance, global PFC	2	
12	-----	SCREW, flat head, M8 x 16 mm, black	4	
13	1100036	BEARING, 14 mm, plain, flanged	4	
14	-----	LEVER, purge lock, Spectrum PFC	2	
15	1100025	LATCH, complete, 890N, modified	AR	
NOTE A: Cylinder only.				
AR: As Required				

Pneumatic Module Parts

Part	Description	Quantity	Note
176474	KIT, blowoff gun	1	
1099582	KIT, blowoff gun, 2 meter	1	
1045614	KIT, 1-ft blowoff gun with 25-ft gnd hose	1	
1045615	KIT, 3-ft blowoff gun with 25-ft gnd hose	1	
1045616	KIT, 5-ft blowoff gun with 25-ft gnd hose	1	
1045617	KIT, 6-ft blowoff gun with 25-ft gnd hose	1	

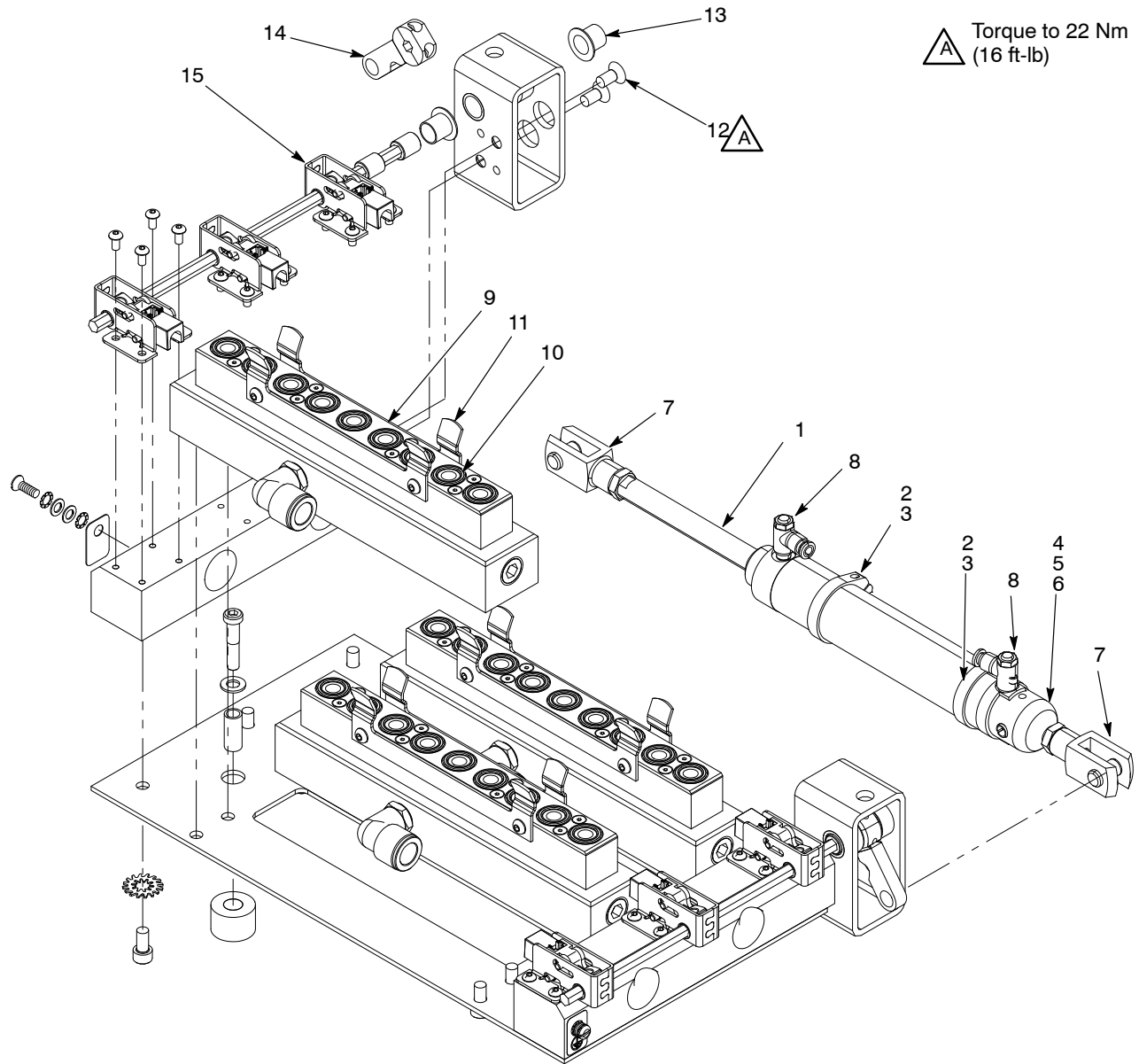


Figure 18-12 Purge Manifold Module Parts

Hopper Platform and Vibrator Parts

See Figures 18-13.

Item	Part	Description	Quantity	Note
1	1058669	VIBRATOR, 230/460V, 3 phase, 60 Hz	1	A
1	1058710	VIBRATOR, 330/575V, 3 phase, 60 Hz	1	A
1	1058711	VIBRATOR, 220/380V, 3 phase, 50 Hz	1	A
1	1058712	VIBRATOR, 220/380V, 3 phase, 60 Hz	1	A
1	1104784	VIBRATOR, 240/415V, 3 phase, 50 Hz	1	A

NOTE A: North America and Asia. Check the identification plate on your existing motor before ordering. Before installing, verify the correct weight adjustment to ensure proper operation. Refer to the *Repair* section for instructions.

AR: As Required

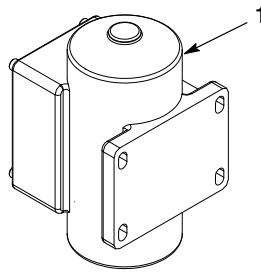


Figure 18-13 Hopper Platform and Vibrator Parts

Sieve and Mounting Parts

Non-CE/ATEX Sieve Parts

See Figure 18-14.

Item	Part	Description	Quantity	Note
1	1056563	SCREEN, 20 mesh (864 micron)	1	A
1	1014561	SCREEN, 40 mesh (381 micron)	1	A
1	1014562	SCREEN, 60 mesh (234 micron)	1	A
2	1060113	MOTOR, vibrator, 230/460, 3 phase, 60 Hz	1	
2	1060114	MOTOR, vibrator, 220/380, 3 phase, 50 Hz	1	
3	1014563	GASKET, screen, sieve, 15 in.	1	
4	1017602	MOUNT, isolation, sieve	1	
5	1104897	CAP, vinyl, 3/4-13/16, black	AR	
6	1104478	CLIP, ground, sieve screen	1	
7	1070199	PLUG, hopper fill, NHR	1	
NS	1103290	PLUG, sieve lid		A
8	1600758	GASKET, plastic wear ring	1	

NOTE A: Use with Vibrasonic sieve option. Vibrasonic screens are listed on the following page.
 AR: As Required
 NS: Not Shown

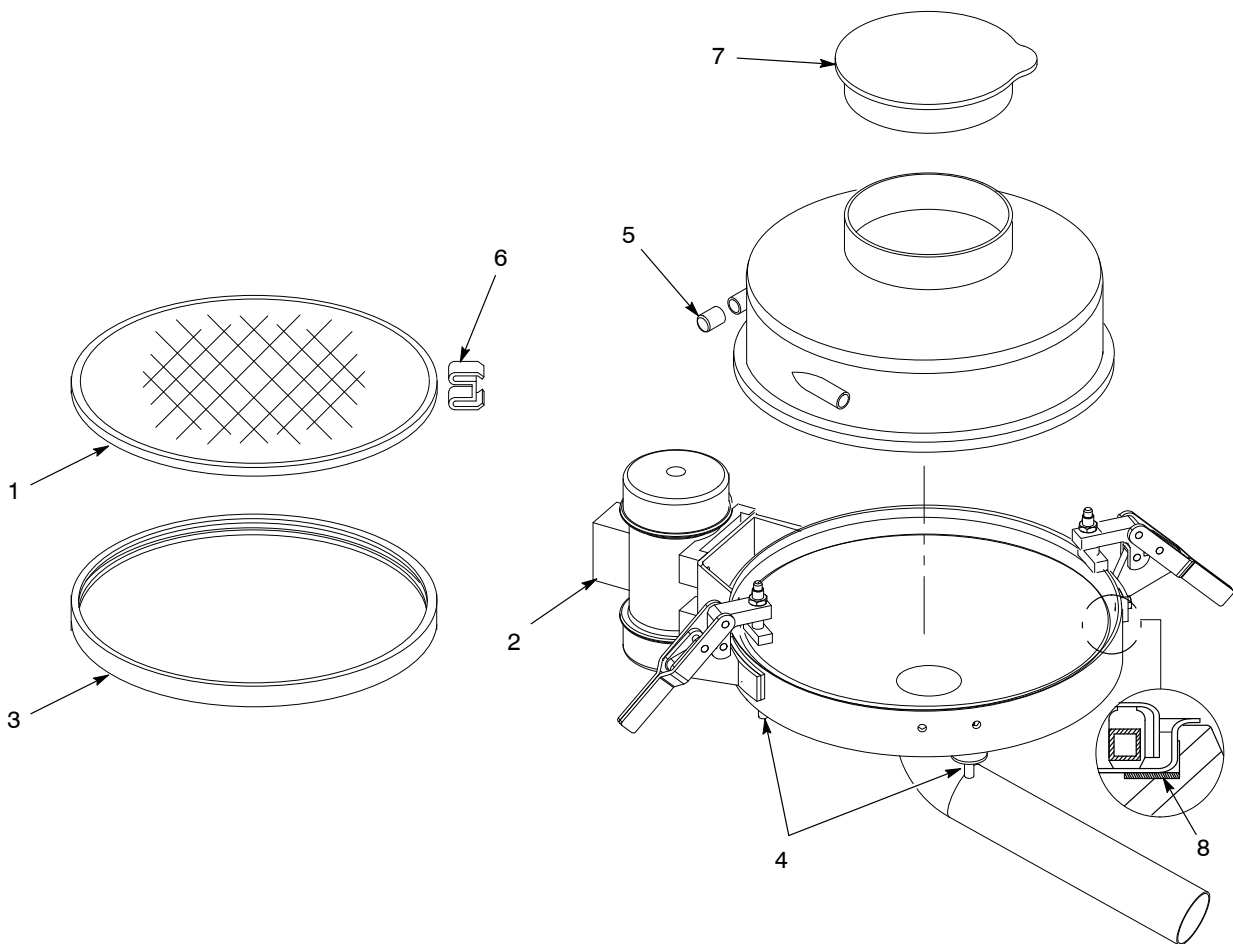


Figure 18-14 Sieve Parts

Sieve Mounting Bracket

See Figure 18-15.

Item	Part	Description	Quantity	Note
1	1099556	HANDLE, adjustable, M10 x 40 stud	3	
2	-----	SCREW, hex, serrated, M8 x 25, steel	8	
3	-----	COLLAR, clamp, 1.3 in.	1	

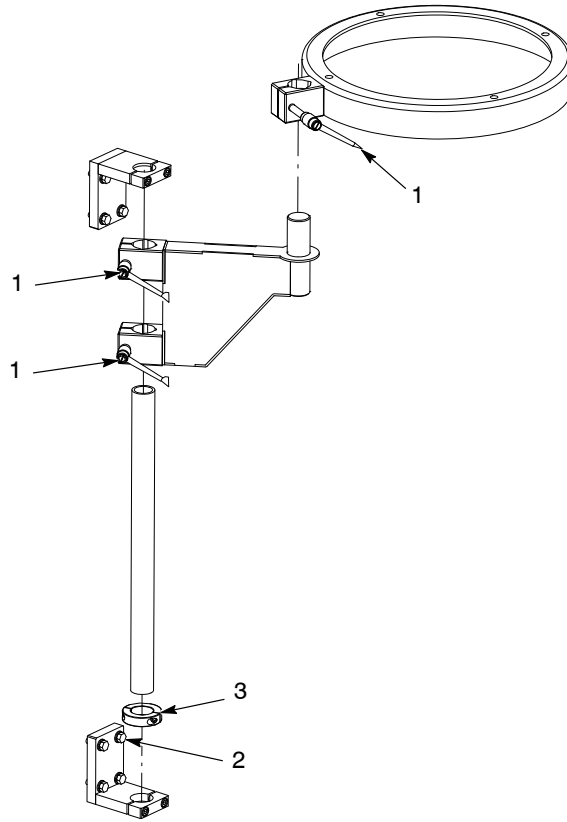


Figure 18-15 Sieve Mounting Bracket

Vibrasonic System Parts

See Figure 18-16.

Item	Part	Description	Quantity	Note
—	1103009	SYSTEM, Vibrasonic, with interface card	1	
1	-----	• BOX, control, Vibrasonic	1	
2	-----	• CABLE, 4-meter, with support bracket	1	
3	-----	• CABLE, transducer	1	
4	-----	• TRANSDUCER, Vibrasonic	1	
5	1014565	• SCREEN, Vibrasonic, 80 mesh (178 micron)	1	A
5	1090890	• SCREEN, Vibrasonic, 100 mesh (140 micron)		A
6	1014563	• • GASKET	1	
7	-----	• SCREW, cap, socket head, M8	1	
8	1104478	CLIP, ground, sieve screen	1	
9	1103290	PLUG, sieve	1	

NOTE A: Other mesh sizes are available. Contact your Nordson representative for more information.

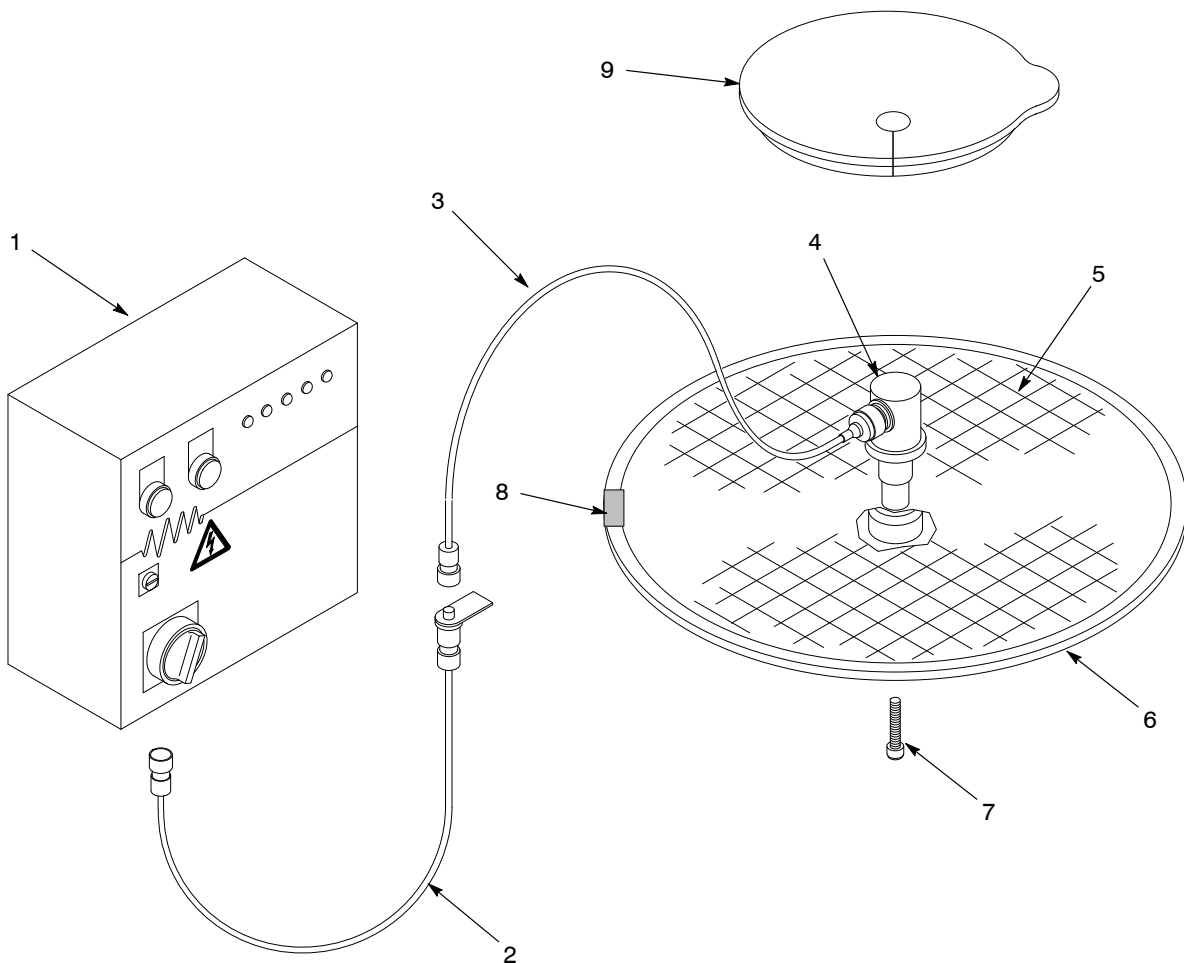


Figure 18-16 Vibrasonic System Parts

Options

75-lb Feed Hopper

See Figure 18-17.

Item	Part	Description	Quantity	Note
–	7404027	HOPPER, fluidizing, powder feed center, 75 lbs.	1	
1	-----	• LID, hopper, PFC	1	
2	-----	• BODY, hopper, PFC	1	
3	—	• PLENUM, hopper	1	
4	—	• CONNECTOR, 10 mm tubing x 1/2 in. NPT	1	
–	1086406	• KIT, SERVICE, fluidizing hopper, PFC		
5	-----	• • FLUID PLATE, hopper, PFC	1	
6	1604476	• • GASKET, hopper, PFC	1	
7	-----	• • NUT, hex, M6, nylon	40	
8	-----	• • WASHER, flat, M6, nylon	80	
9	-----	• • SCREW, hex, M6 x 40, Nylon	40	
NS	1043414	CART, fluidizing hopper	1	A
NS	1051364	KIT handle, cart, fluidizing hopper	1	B
NOTE A: The optional cart allows the fluidizing hopper to be transported easily.				
B: Order this kit to install a handle on the hopper cart.				
NS: Not Shown				

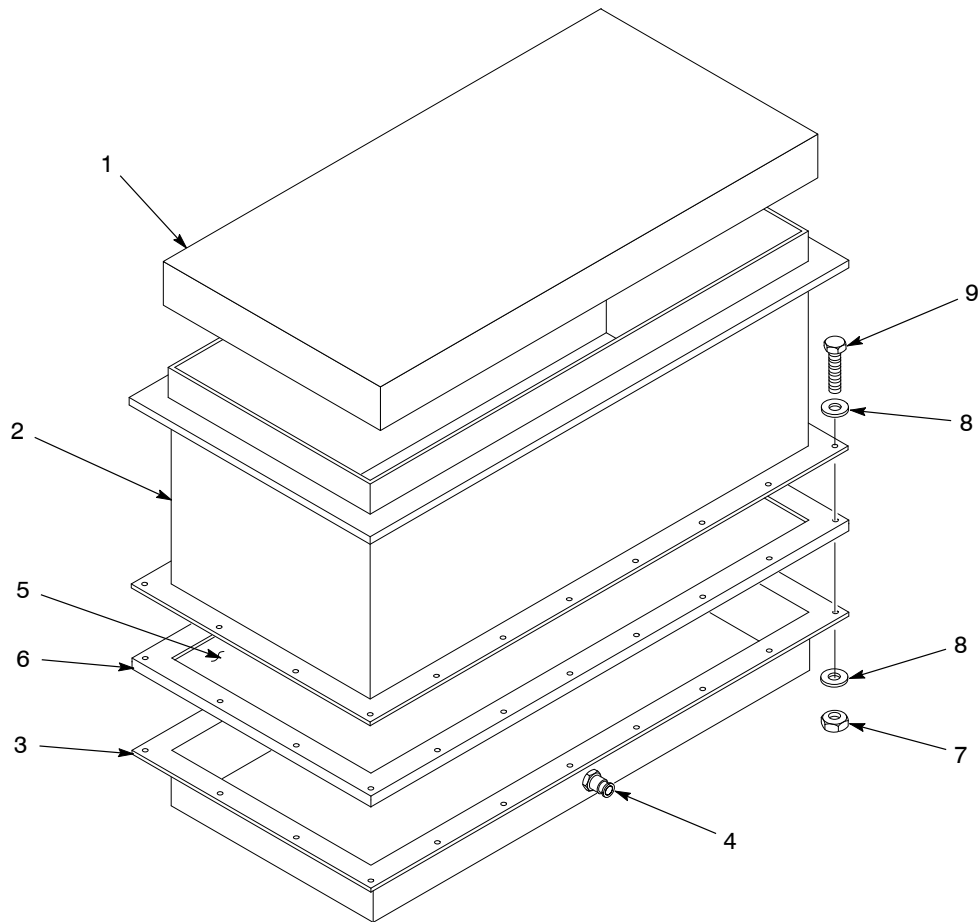


Figure 18-17 75-lb Feed Hopper Parts

50-lb Feed Hopper

See Figure 18-18.

Item	Part	Description	Quantity	Note
-	1071873	HOPPER ASSEMBLY, 18 x 18 x 17.5 in., 50 lbs	1	
1	-----	• LID, hopper	1	
2	-----	• BODY, hopper	1	
3	1071872	• PLATE, fluidizing, 0.50 x 18 x 18 in.	1	
4	-----	• PLENUM, hopper	1	
5	-----	• GASKET, Buna-N, 3/16 in. diameter	2	
6	971103	• CONNECTOR, 10 mm tubing x 1/2 in. unithread	1	
7	-----	• SCREW, hex head, 3-16 UNC x 1.5 in.	32	

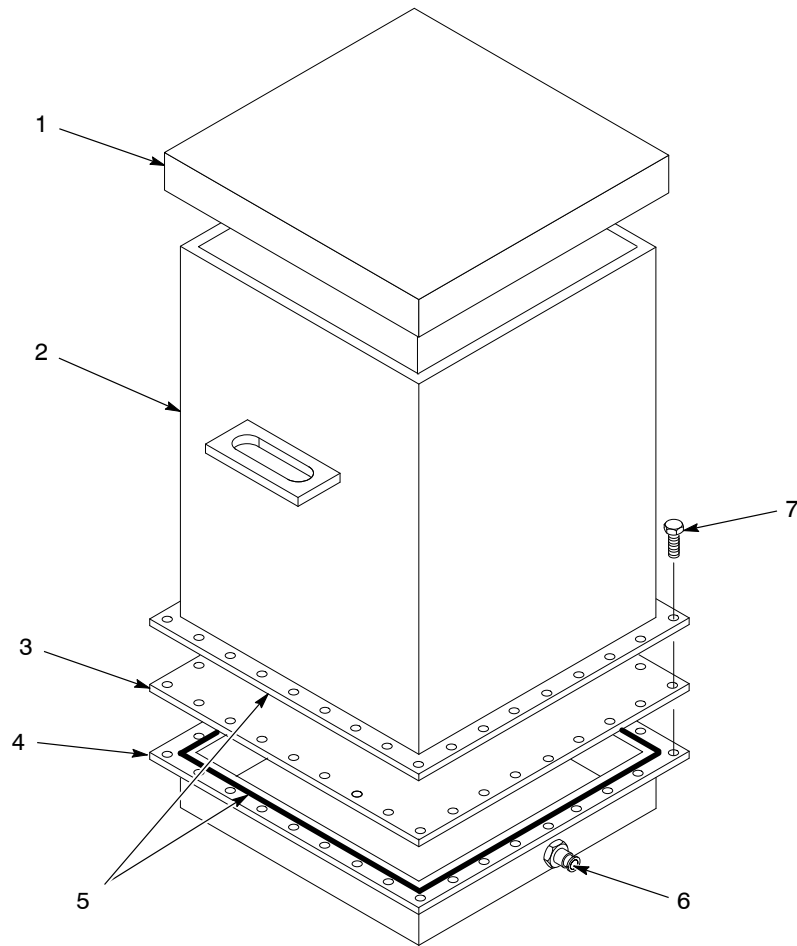


Figure 18-18 50-lb Feed Hopper Parts

Spectrum II Powder Feed Center

NOTE: Contact your Nordson Customer Service Representative when ordering Spectrum and Spectrum II replacement parts to verify the parts being ordered are for the correct system.

Sieve Parts

See Figure 18-19. For a complete parts list refer to manual 1060125.

Screens and Vibrator Motors

Item	Part	Description	Note
—	-----	System, Vibrasonic, w/interface card	
Screens			
1	1056563	20 mesh, 15 in	
1	1014561	40 mesh, 15 in	
1	1089842	40 mesh, S60MG/15SPE	
1	1014562	60 mesh, 15 in	
1	1089113	60 mesh, S60MG/15SPE	
1	1014565	80 mesh	
1	1088578	145 mesh, S145TBC, 15SPE	
1	1085627	60MG, 15SPE	
1	1014565	80MG, 15SPE	
1	1085629	100MG, 15SPE	
Vibrator Motors			
2	1060113	230/460, 3 phase/60 Hz	
2	1060114	230/460, 3 phase/50 Hz	A
NOTE A: Call for availability.			

Spare Parts

Item	Part	Description	Note
3	1014563	Gasket, screen, sieve, 15 in.	
4	1017602	Mount, isolation, sieve	
NS	1089115	Probe, Mark III, #17830	
NS: Not Shown			

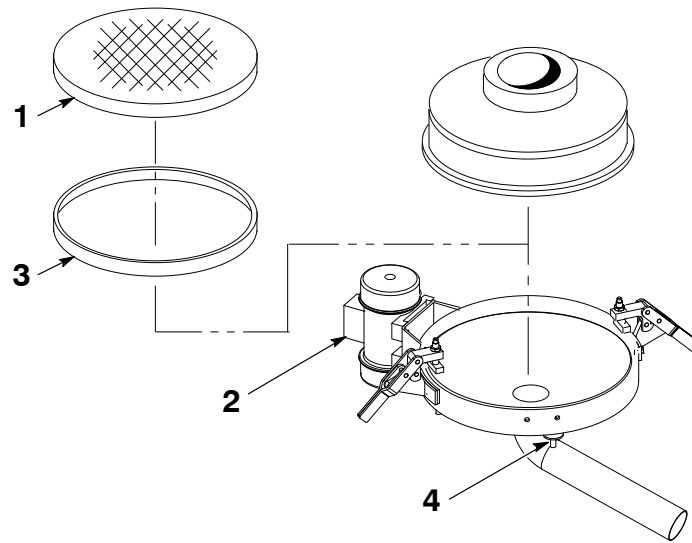


Figure 18-19 Sieve Parts

Note: Shown with Prodigy HDLV powder transfer system sieve deck. Your sieve deck may look different.

Lance Parts

See Figure 18-20. For a complete parts list refer to manual 1060125.

Lance Arm and Vertical Slide

The powder feed center may use either one, two, or three lance arm assemblies. Each lance arm assembly may use up to eight powder pumps.

Item	Part	Description	Note
1	1023136	Cylinder assembly (two air inlets)	A
1	1091411	Cylinder assembly, locking (three air inlets)	A
2	1017574	Valve, flow control	
3	-----	Sensor	
4	1015208	Slide, vertical, assembly	
5	1014553	Probe, level sensor	
6	1023925	Cable, 4 pin, M12 conn, 5-m	
7	1051849	Lance arm assembly	
8	-----	• Nut, support tube	
9	1017574	• Valve, flow control	
10	-----	• Plate, pump lock down	
11	1014556	• Cam lock assembly	
12	-----	• Rod, locating	
13	-----	• Manifold, 16 mm pickup tb	
14	1023215	• Tube, fluidizing, assembly	
NOTE A: Check cylinder before ordering replacement.			

Powder Feed Pumps and Hose Clamps

Item	Part	Description	Note
—	-----	Hose clamp, with 11- and 12.7-mm inserts	
15	1051482	• Hose clamp, 11-mm, 8 port	
16	-----	• Insert, hose clamp, 11-mm ID hose	
16	-----	• Insert, hose clamp, 12.7-mm ID hose	
	1053829	Hose clamp, with two 12.7-mm inserts	
15	1053658	• Hose clamp, 12.7 mm, 8 port	
16	-----	• Insert, hose clamp, 12.7-mm ID hose	
17	-----	Pump assembly, cndct throat, Tivar	A
17	-----	Pump assembly, cndct throat, PTFE	B
NOTE A: Standard powder pump included with the feed center.			
NOTE B: Optional pump for the feed center.			

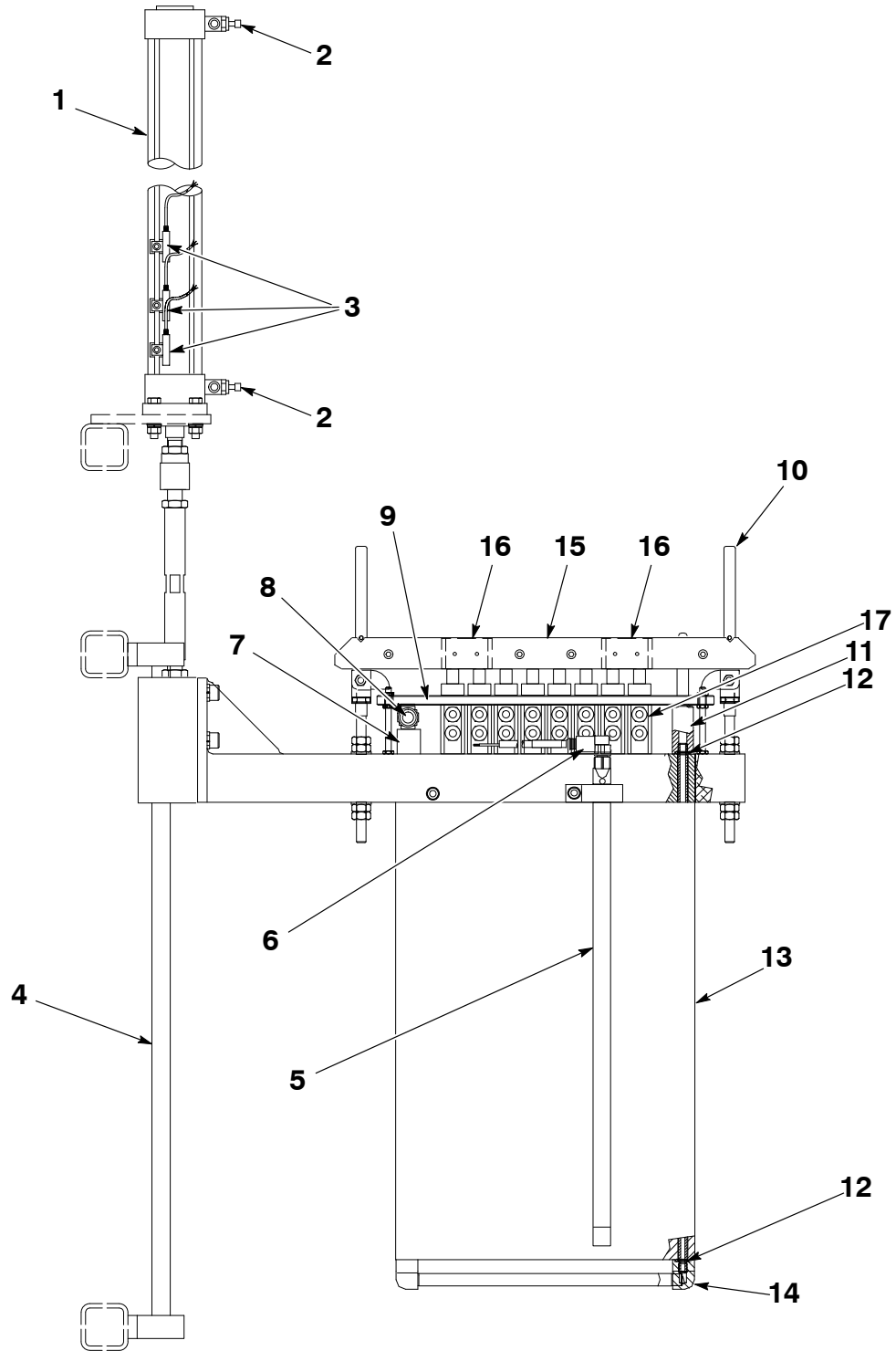


Figure 18-20 Lance Parts

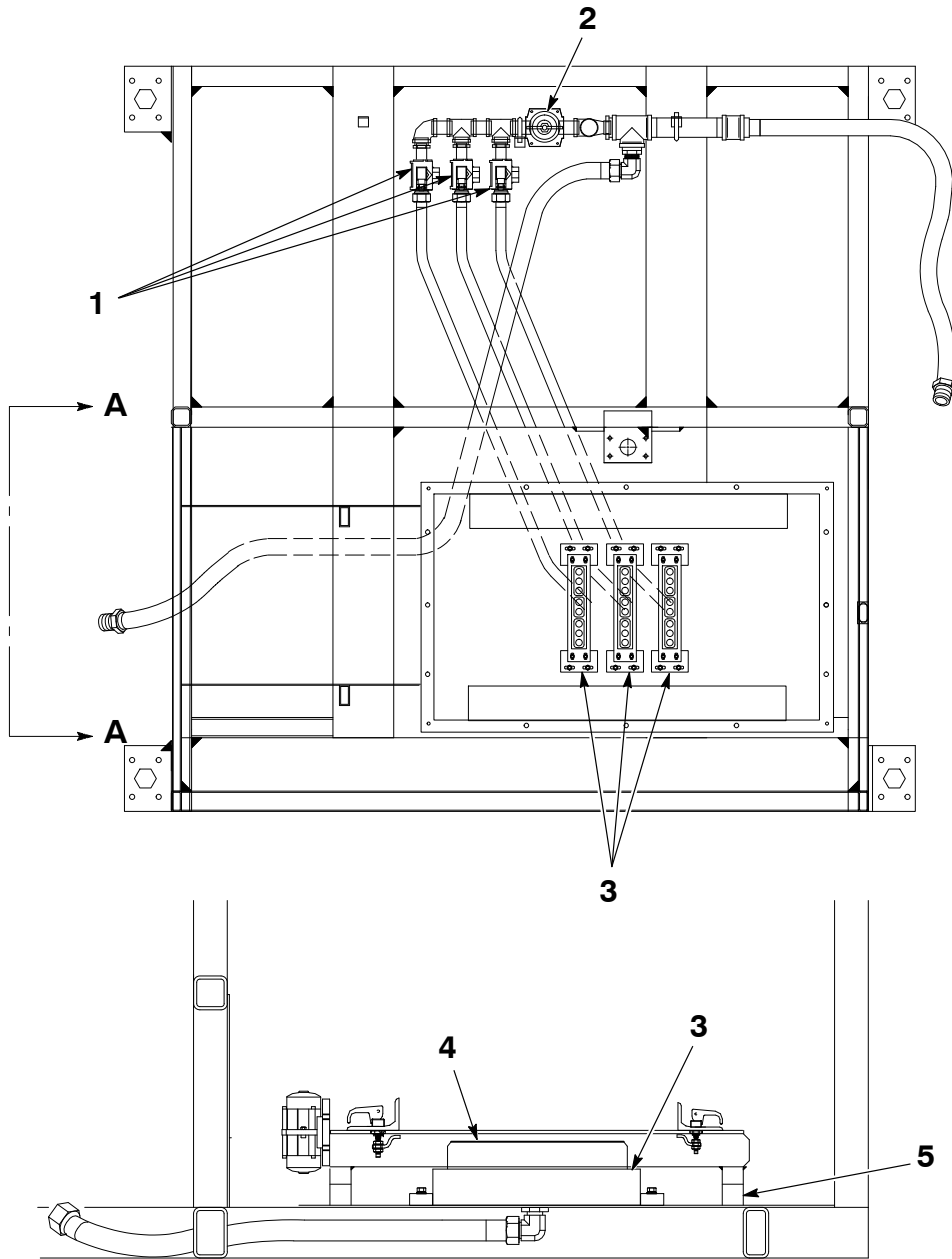
Vibratory Table and Purge Assembly

See Figure 18-21. For a complete parts list refer to manual 1060125.

Item	Part	Description	Note
1	1054384	Valve, assembly, 1/2 in., with solenoid, 15-ft wire	
2	1014643	Regulator, 1-in. NPT, 0–150 psi	
3	1051596	Manifold, purge assembly, pick up plate	
4	1075117	Gasket, face manifold	
5	1017559	Mount vibration	

Vibrator Motors

Part	Description	Note
1058669	Vibrator, 230/460V, 3 phase/60 Hz	A
1058710	Vibrator, 330/575V, 3 phase/60 Hz	
1058711	Vibrator, 220/380V, 3 phase/50 Hz	
1058712	Vibrator, 200/400V, 3 phase/60 Hz	
NOTE A: The 230/460V vibrator motor, part 1058669, is standard 831.		



View A-A Enlarged

Figure 18-21 Vibratory Table and Purge Assembly

Fan Housing Assembly

See Figure 18-22. For a complete parts lists refer to manual 1060125.

Item	Part	Description	Note
1	176367	Screw, hex, serrated, $\frac{3}{8}$ -16 x 1.250 in., steel, zinc	
2	156995	Filter, final, internal, 20 x 24 in.	
3	176366	Clamp, final filter, 18.5 x 2.75 in.	

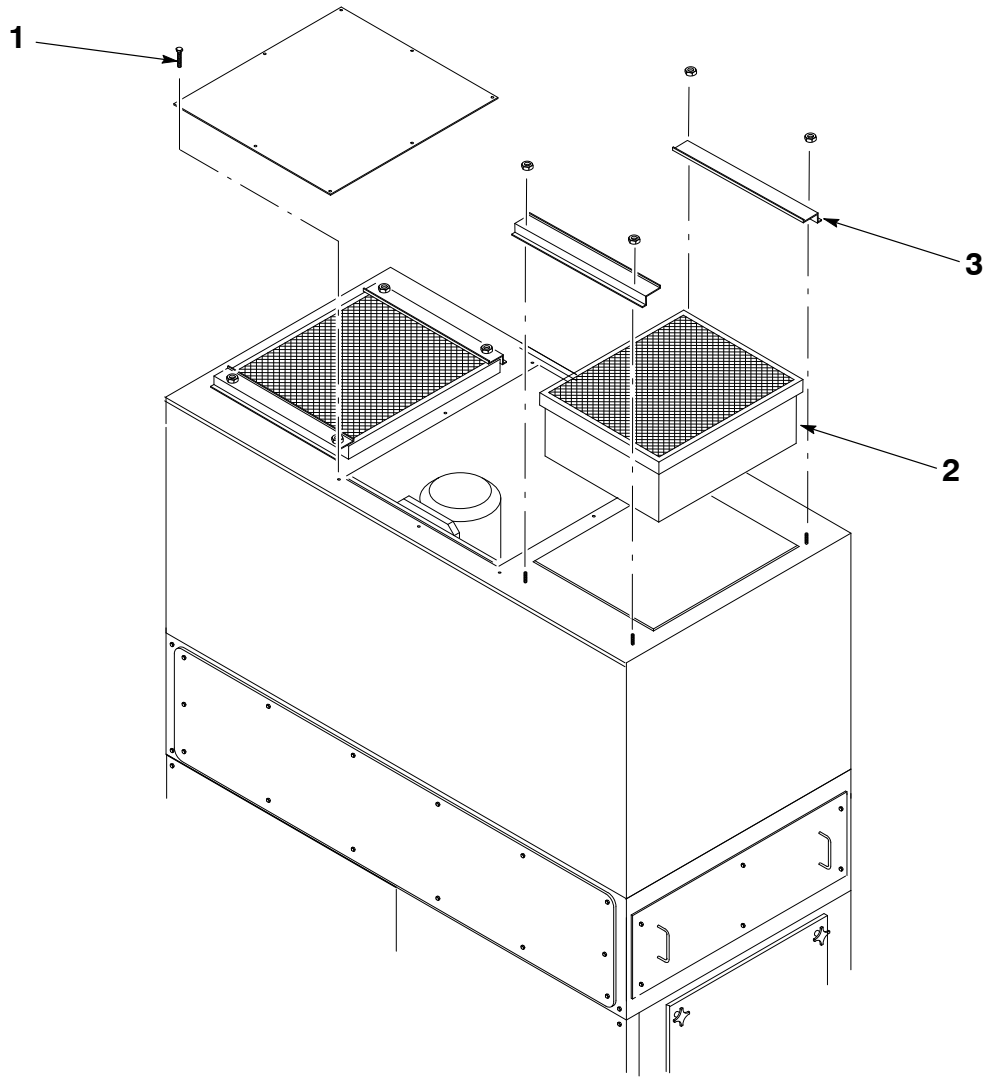


Figure 18-22 Fan Housing Assembly

Blowdown Housing Assembly

See Figure 18-23. For a complete parts list refer to manual 1060125.

Item	Part	Description	Note
1	178970	Solenoid Box, 4 valve	
2	165726	Nozzle, cartridge pulse	
3	174710	Valve, pulse, 1-in. NPT in, 1-in. NPT out	

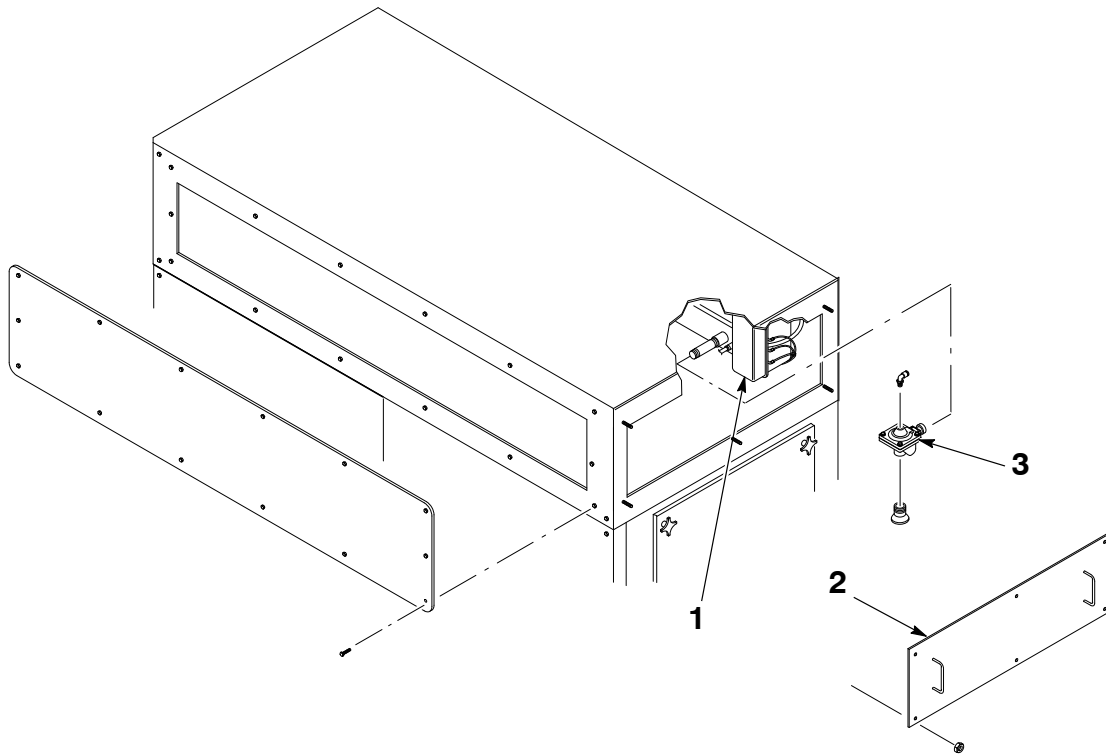


Figure 18-23 Blowdown Housing Assembly

Cartridge Filter Housing Assembly

See Figure 18-24. For a complete parts list refer to manual 1060125.

Item	Part	Description	Note
1	156996	Filter, 36 in., PowderGrid, center mount	
2	174722	Bracket, filter centering	
3	174723	Rod, filter mount, 36-in. filter	
4	174720	Mount, filter, cartridge	

Fluid Bed Assembly

Part	Description	Note
1040853	Pump, transfer, 0.75-in. outlet	
1016610	Plate, fluidizing, with gasket	

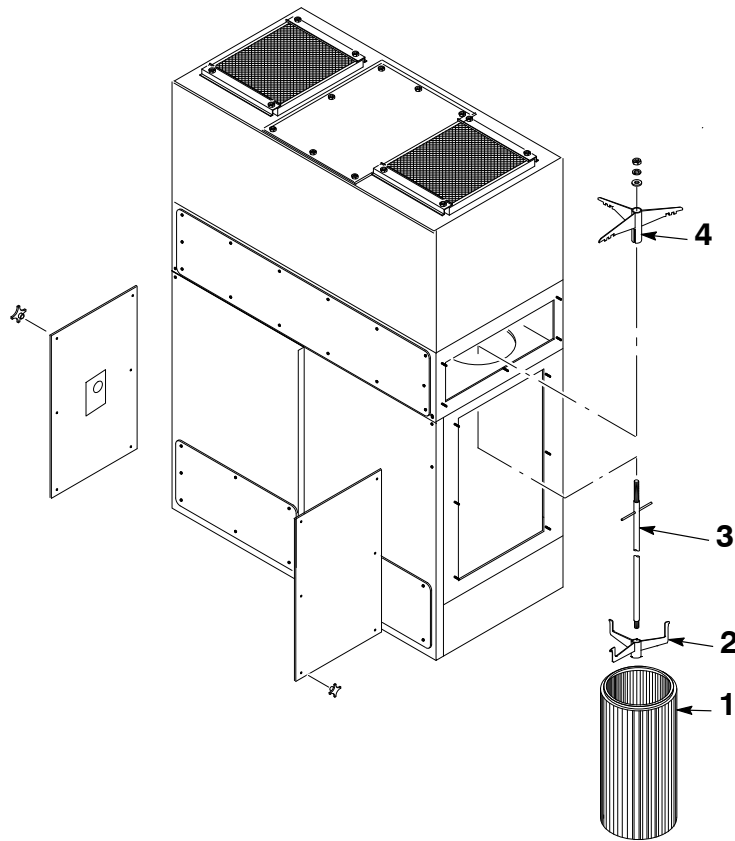


Figure 18-24 Cartridge Filter Housing Assembly

Powder Pumps

Powder Feed Pumps	18-40
Generation I and II In-Line Powder Feed Pump	18-40
Generation III Inline Pump Parts	18-41
100 Plus Feed Pumps	18-42
Low-Flow 100 Plus Feed Pumps	18-44
Modular Pumps for Corona Spray Guns	18-45

Powder Feed Pumps

Generation I and II In-Line Powder Feed Pump

See Figure 18-25. For a complete parts list refer to manual 1080291.

Item	Part	Description	Note
—	-----	Pump, assembly, conductive throat, Tivar, packaged	
—	1066888	Kit, injector, Generation II	DS
1	-----	• Injector, Generation II	
2	1003915	• O-rings	
3	1036432	• O-ring	
1	1037305	Injector, threaded, Generation I	B
2	1003915	O-rings	A
3	1036432	O-ring	A
4	344252	Check valves	
5	1003911	Venturi throat kit, w/O-rings, Tivar	DS
5	1003912	Venturi throat kit, w/O-rings, glass-filled PTFE	
6	1036432	• O-rings	
7	1003913	Cap	DS

NOTE A: Use with old and new style pumps.
 B: Use with new style pumps only.
 DS: Discontinued – Availability subject to change.

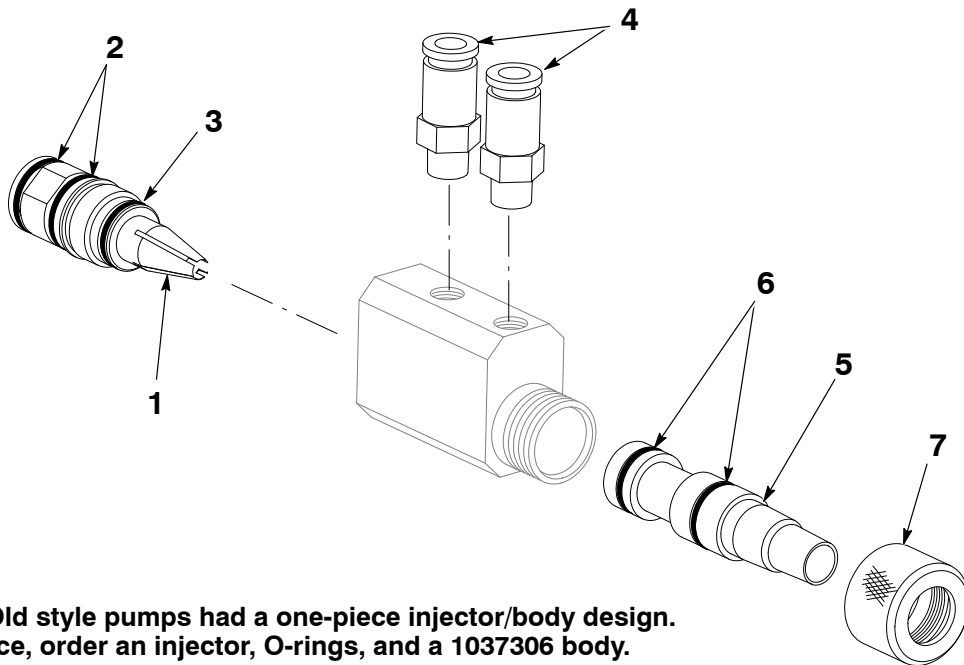


Figure 18-25 In-Line Powder Feed Pumps

Generation III Inline Pump Parts

See Figure 18-26. For a complete parts list refer to manual 1080291.

Item	Part	Description	Note
—	-----	Pump, assembly, conductive throat, Tivar, packaged	C
—	-----	Pump, assembly, conductive throat, PTFE, packaged	C
1	1003913	• Cap, inline pump	DS
1A	1089523	• • SPRING, grounding, inline pump cap	DS
2	1085643	• Kit, venturi, inline pump, Generation III, Tivar	A,DS
2	1085647	• Kit, venturi, inline pump, Generation III, PTFE	A,DS
2A	1083135	• Kit, venturi, inline, Tivar	B,DS
3	1036432	• • O-ring, silicone, 13 mm x 17 mm x 2 mm	A,B
4	1080068	• • Sleeve, venturi, inline pump	A,DS
5	344252	• Valve, check, M8 tube x R 1/8 in., M, output	
6	1037306	• Body, inline pump, threaded	DS
7	1066888	• Kit, injector, inline pump, Generation II	DS
8	1003915	• • O-ring, Buna-N, 16 mm x 20 mm x 2 mm	
9	1036432	• • O-ring, silicone, 13 mm x 17 mm x 2 mm	

NOTE A: O-rings (item 3) and sleeve (item 4) are included with 1085643 and 1085647 kits.
 B: O-rings (item 3) are included with 1083135 kit.
 C: Replaced by Encore Inline Pump (1095926). Optional PTFE throat available (1095910).
 DS: Discontinued – Availability subject to change.

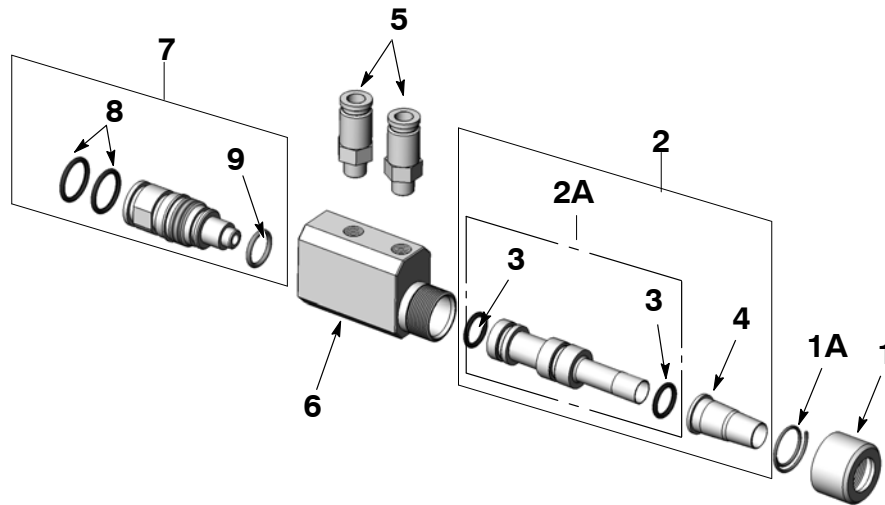


Figure 18-26 Generation III In-Line Powder Feed Pump Parts

100 Plus Feed Pumps

See Figure 18-27. For complete parts lists refer to manuals 104361 and 106699. For pump mounts and pickup tubes, refer to page 7-20.

Item	Part	Description	Note
—	-----	Pump, powder. 6 mm, low flow	E
—	-----	Pump, powder, 6 mm, std flow	E
—	327742	Pump, powder, 8 mm, std flow	
—	-----	Pump, powder, 8 mm, low flow	E
1	249503	Venturi nozzle (flow and atomizing air)	
2	940129	O-rings	
3	1064256	Smart™ venturi throats, std flow	DS
4	940163	O-ring	
5	249506	Throat holder	
6	940184	O-ring	
7	249507	Wear tube, standard flow	
9	940126	O-rings	
10	986100	Retaining ring	
11	972119	Elbow, male 1/4 in.	
11	972126	Elbow, male, 6 mm	
11	972276	Elbow, male, 8 mm	
Optional 100 Plus Pump Venturi Throats – for Standard Flow			
3	249504	PTFE	A,DS
3	174215	Glass-filled PTFE	B,DS
3	114223	Stainless steel	C
3	114221	Tivar	D,DS
NOTE A: May exhibit less impact fusion with certain powder materials, but has a shorter wear life.			
B: May exhibit better wear life than a PTFE throat, and less impact fusion than a Tivar throat.			
C: Used in special applications with non-paint powdered materials.			
D: May exhibit better wear life, but more impact fusion, than a PTFE throat.			
E: For a complete pump replacement, order the standard pump (327742), and the appropriate tubing fittings and venturi throat.			
DS: Discontinued – Availability subject to change.			

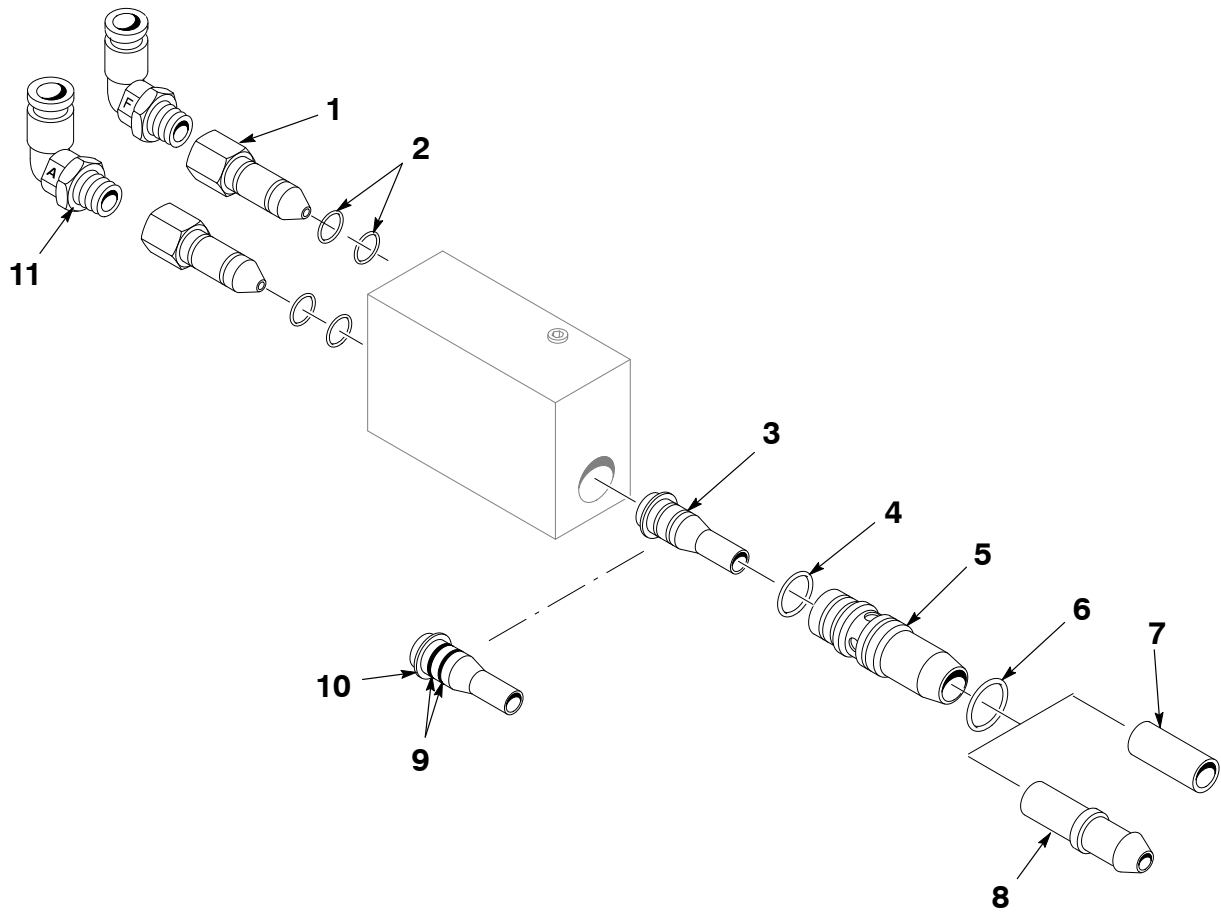


Figure 18-27 100 Plus Powder Feed Pumps

Low-Flow 100 Plus Feed Pumps

See Figure 18-27. For complete parts lists refer to manuals 104361 and 106699. For pump mounts and pickup tubes, refer to page 7-20.

Item	Part	Description	Note
—	-----	Pump, powder, low-flow	
—	-----	Pump, powder, low-flow, 8 mm	D
—	-----	Pump, powder, low-flow, 6 mm	
1	249503	Venturi nozzle (flow and atomizing air)	
2	940129	O-rings	
3	1064257	Smart™ venturi throats, low flow	DS
4	940163	O-ring	
5	249506	Throat holder	
6	940184	O-ring	
8	139943	Hose connector, low flow	
9	940126	O-rings	
10	986100	Retaining ring	
11	972119	Elbow, male 1/4 in.	
11	972276	Elbow, male, 8 mm	
11	972126	Elbow, male, 6 mm	
Optional 100 Plus Pump Venturi Throats – for Low Flow			
3	109101	PTFE	A,DS
3	174213	Glass-filled PTFE	B,DS
3	114219	Tivar	C
<p>NOTE A: May exhibit less impact fusion with certain powder materials, but has a shorter wear life.</p> <p>B: May exhibit better wear life than a PTFE throat, and less impact fusion than a Tivar throat.</p> <p>C: Used in special applications with non-paint powdered materials.</p> <p>D: Must order a standard flow pump (327742), low flow throat, and low flow hose connector. Also requires removing standard flow wear tube.</p> <p>DS: Discontinued – Availability subject to change.</p>			

Modular Pumps for Corona Spray Guns

Non-Purgeable 6-mm Modular Pump

See Figure 18-28. For a complete parts list refer to manual 107128.

Item	Part	Description	Note
—	-----	Pump, 6 mm	F
1	224733	Atomizing air nozzle	DS
2	940129	O-ring, conductive	
2	340636	O-ring, non-conductive	A
3	940010	O-ring,conductive	B
4	224727	Flow air nozzle	
5	940207	O-ring,conductive	B
6	224726	Pump body	
7	225547	Throat, 0.188 in. ID, Tivar, w/O-rings	C
8	940126	• O-ring	
9	224728	Throat holder	DS
10	940015	O-ring, conductive	
10	340637	O-ring, non-conductive	A
11	940177	O-ring, silicone, conductive	B
12	224736	Wear tube	
13	972126	Elbow, male, 6 mm tube	
Optional Venturi Throats with O-rings			
7	225548	Throat, 0.213 in. ID, PTFE	D,E,DS
7	225546	Throat, 0.213 in. ID, Tivar	E,DS
7	225549	Throat, 0.188 in. ID, PTFE	D
<p>NOTE A: Optional O-ring, provides better retention of nozzle and throat holder. Other O-ring on nozzle and holder MUST be black conductive silicone to ensure proper grounding.</p> <p>B: Electrically conductive black silicone. Do not replace with non-conductive O-rings.</p> <p>C: Standard venturi throat.</p> <p>D: PTFE is more resistant to powder impact fusion than Tivar but may wear faster.</p> <p>E: Larger ID throats are used for special applications, such as high flows with short hose runs. Refer to manual for more information.</p> <p>F: Replaced by Encore Generation II pump.</p> <p>DS: Discontinued – Availability subject to change.</p>			

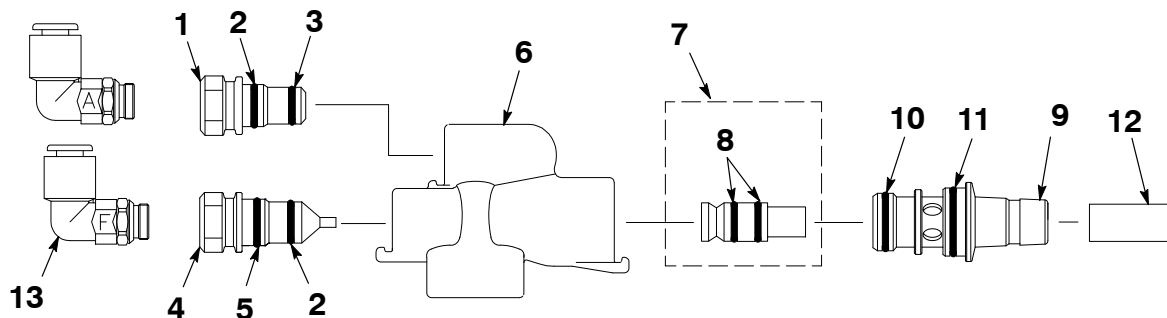


Figure 18-28 Modular Powder Feed Pumps for Corona Spray Guns

Purgeable 8-mm Modular Pump

See Figure 18-29. For a complete parts list refer to manual 107128.

Item	Part	Description	Note
—	-----	Pump, 8 mm, modular corona	D
1	344239	Atomizing air nozzle	DS
2	940129	O-ring, silicone, conductive	A
3	940010	O-ring, silicone, conductive	A
4	344238	Flow air nozzle	DS
5	940207	O-ring, silicone, conductive	A
6	224726	Modular pump body	
7	225547	Throat, 0.188 in. ID, Tivar, w/O-rings	
8	940126	• O-ring, silicone	
9	344241	Throat holder	DS
10	940015	O-ring, silicone, conductive	A
11	940177	O-ring, silicone, conductive	A
12	224736	Wear tube	
13	972276	Elbow, male, 8 mm tube	
Optional Venturi Throats with O-rings			
7	225548	Throat, 0.213 in. ID, PTFE	B,C,DS
7	225546	Throat, 0.213 in. ID, Tivar	C,DS
<p>NOTE A: Electrically conductive black silicone. Do not replace with non-conductive O-rings.</p> <p>B: PTFE is more resistant to powder impact fusion than Tivar but may wear faster.</p> <p>C: Larger ID throats are used for special applications, such as high flows with short hose runs. Refer to manual for more information.</p> <p>D: Replaced by Encore Generation II Pump.</p> <p>DS: Discontinued – Availability subject to change.</p>			

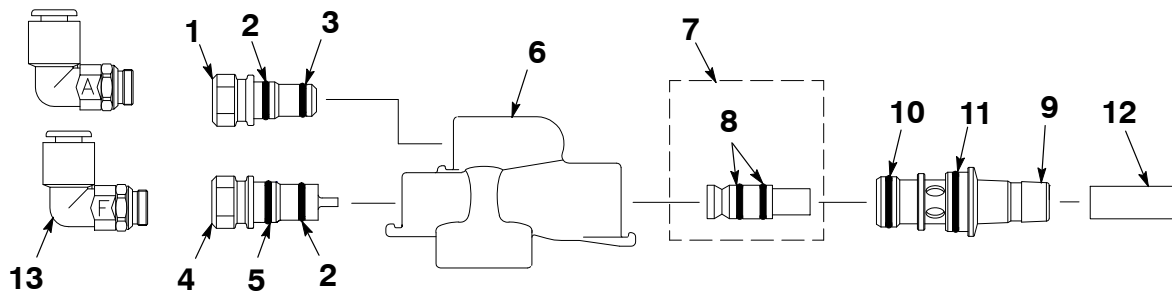


Figure 18-29 Purgeable 8-mm Modular Powder Feed Pump for Corona Spray Guns

HDLV Systems

See *Prodigy Nozzles* tab for available nozzles and nozzle kits.

Encore HD Manual Spray Gun	18-48
Miscellaneous Spray Gun Options	18-51
Lance Extensions	18-51
Ion Collector	18-52
Ion Collector Components for Lance Extensions	18-53
Encore HD Manual System Controller	18-54
Rail Mount	18-56
Controller Interconnect Cable	18-57
Prodigy Generation I Products	18-58
Prodigy Manual Spray Gun – Generation I	18-58
Service Kits – Generation I	18-60
Lance Extensions – Generation I	18-60
Powder and Air Tubing – Generation I	18-61
Options Generation I	18-61
Prodigy HDLV Gun Pump – Generation I	18-62
Prodigy HDLV Gun Pump – Generation I – Spare Parts ..	18-62
Prodigy Generation II Products	18-64
Prodigy Manual Spray Gun – Generation II	18-64
Service Kits – Generation II Manual Spray Gun	18-66
Lance Extensions – Generation II Manual Spray Gun	18-66
Powder and Air Tubing – Generation II	18-67
Options - Generation II	18-67
Prodigy Manual Spray Gun Controller	18-68
Manual Spray System Controller Kit	18-68
Manual Spray System Controller	18-69
Prodigy Generation III Systems	18-70
Systems and Controllers – Generation III	18-70
Kits and Spare Parts	18-70
Prodigy Color-on-Demand® Instant Color Selector	18-71
Color-on-Demand Manual Systems – Generation II	18-71
Ship with Kit Parts	18-71
Spare Parts	18-71
Prodigy COD Controller	18-72
Color Change Control Panel	18-73
Color Change Control Unit (PLC)	18-74
Color Change Manifold	18-75
Color-on-Demand Dump Valve	18-76
Prodigy Automatic Spray Guns	18-77
Tube Mount Spray Gun	18-77
Bar-Mount Spray Gun	18-79
Prodigy Porcelain Enamel Automatic Spray Gun	18-81
Prodigy/Sure Coat® Nozzle Extension	18-83
Ion Collector Retrofit Kit	18-84
iControl® Integrated Control System for Prodigy Automatic Guns	18-87
Console Part Number List	18-87
Console Parts	18-88
iControl Air Conditioning Conversion Kits	18-90

Encore HD Manual Spray Gun

See Figure 18-30.

Item	Part	Description	Quantity	Note
–	1600818	HANDGUN assembly, Encore HD	1	
1	1081638	• NUT, nozzle, handgun	1	
2	1605846	• NOZZLE, flat spray, 3 mm	1	A
3	1604824	• ELECTRODE ASSEMBLY, Encore, flat spray	1	F
3A	1106078	• • ELECTRODE, spring contact	1	
3B	1605863	• • HOLDER, electrode, M3, flat spray, Encore	1	F
4	1085024	• KIT, powder outlet tube, Encore	1	D
4B	1081785	• • O-RING, silicone, 0.468 x 0.568 x 0.05 in.	1	
4A	941113	• • O-RING, silicone, 0.438 x 0.625 x 0.094 in.	1	
5	1096695	• ELBOW, powder tube, handgun	1	D
6	1084821	• POWER SUPPLY, 100 kV, negative, Encore, packaged	1	
7	1088502	• GASKET, multiplier cover, handgun	1	
8	1106872	• BULKHEAD, multiplier, handgun, Encore HD	1	
9	1100986	• KIT, handgun display module, Encore	1	
NS	1085361	• • SUPPORT, adhesive, handgun, Encore	1	
10	1087760	• HOOK, handgun	1	
11	1102648	• BEZEL, shield, plated	1	
12	345071	• SCREW, pan head, recessed, M3 x 35, BZN	2	
13	1088506	• KIT, body assembly, handgun, Encore	1	
14	1088558	• FILTER ASSEMBLY, handgun	1	
15	1101872	• KIT, trigger switch, Encore HD	1	
NS	1085361	• • SUPPORT, adhesive, handgun, Encore	1	
16	983520	• WASHER, lock, internal, M3, zinc	1	
17	982427	• MACHINE SCREW, pan head, recessed, M3 x 6, zinc	1	
18	1106871	• HANDLE, ground pad, handgun, Encore HD	1	
19	1081777	• RETAINING RING, external, 10 mm	1	
20	1600745	• CABLE ASSY, handgun, 6 meter, Encore HD	1	E
20A	940129	• • O-RING, silicone, conductive, 0.375 x 0.50in.	1	
21	1087762	• BASE, handle, handgun	1	
22	760580	• SCREW, Philips head, M3 x 20, zinc	2	
23	1081617	• CHECK VALVE, male, M5 x 6 mm	1	
24	1081616	• FITTING, bulkhead, barb, dual, 10–32 x 4 mm	1	
25	1606338	• KIT, powder inlet tube, Encore HD	1	
25A	1084773	• • O-RING, silicone, 18 mm ID x 2 mm wide	2	
25B	1081785	• • O-RING, silicone, 0.468 x 0.568 x 0.05 in.	1	
26	1600819	• HANDLE, handgun, Encore HD	1	
27	1106892	• ACTUATOR, switch, trigger, Encore HD	1	
28	1106873	• TRIGGER, main, handgun, Encore HD	1	
29	1081540	• TRIGGER, setting, handgun	1	
30	1088601	• SCREW, flat head, recess, M5x 10, nylon	1	
31	1605713	• AXLE, trigger, handgun, Encore	1	G

Continued...

Item	Part	Description	Quantity	Note
32	1604828	• KIT, conical nozzle, Encore	1	
33	1083206	• DEFLECTOR assembly, conical, 26 mm	1	A
33A	1098306	• • O-RING, Viton, 3 mm x 1.1 mm wide	1	B
34	1082060	• NOZZLE, conical	1	A
35	1605861	• HOLDER, electrode, M3, conical, Encore	1	
36	1606345	• KIT, hose adapter, manual gun, Encore HD	1	
36A	1606709	• • O-RING, PUR, 0.551 x 0.07 x 0.7	2	
NS	900617	• TUBE, polyurethane, 4 mm OD, clear	AR	C
NS	900741	• TUBING, polyurethane, 6/4 mm, black	AR	C
NS	900620	• TUBING, poly, spiral cut, $\frac{3}{8}$ in. ID	AR	C
NS	1605847	• NOZZLE, flat spray, 4 mm	1	A

NOTE A: 3- and 4-mm flat spray nozzles, conical nozzle, and deflector are shipped with the spray gun. Refer to the following pages for optional nozzles.

B: This O-ring is a component of all deflectors.

C: Order in increments of one foot or one meter.

D: Also available in wear resistant material. Refer to *Spray Gun Options*.

E: Optional 6 meter extension available; refer to *Spray Gun Options*.

F: For flat spray nozzle use only. Use kit item 32 to convert for conical nozzle and deflector use.

G: Included with trigger switch kit 1101872.

AR: As Required

NS: Not Shown

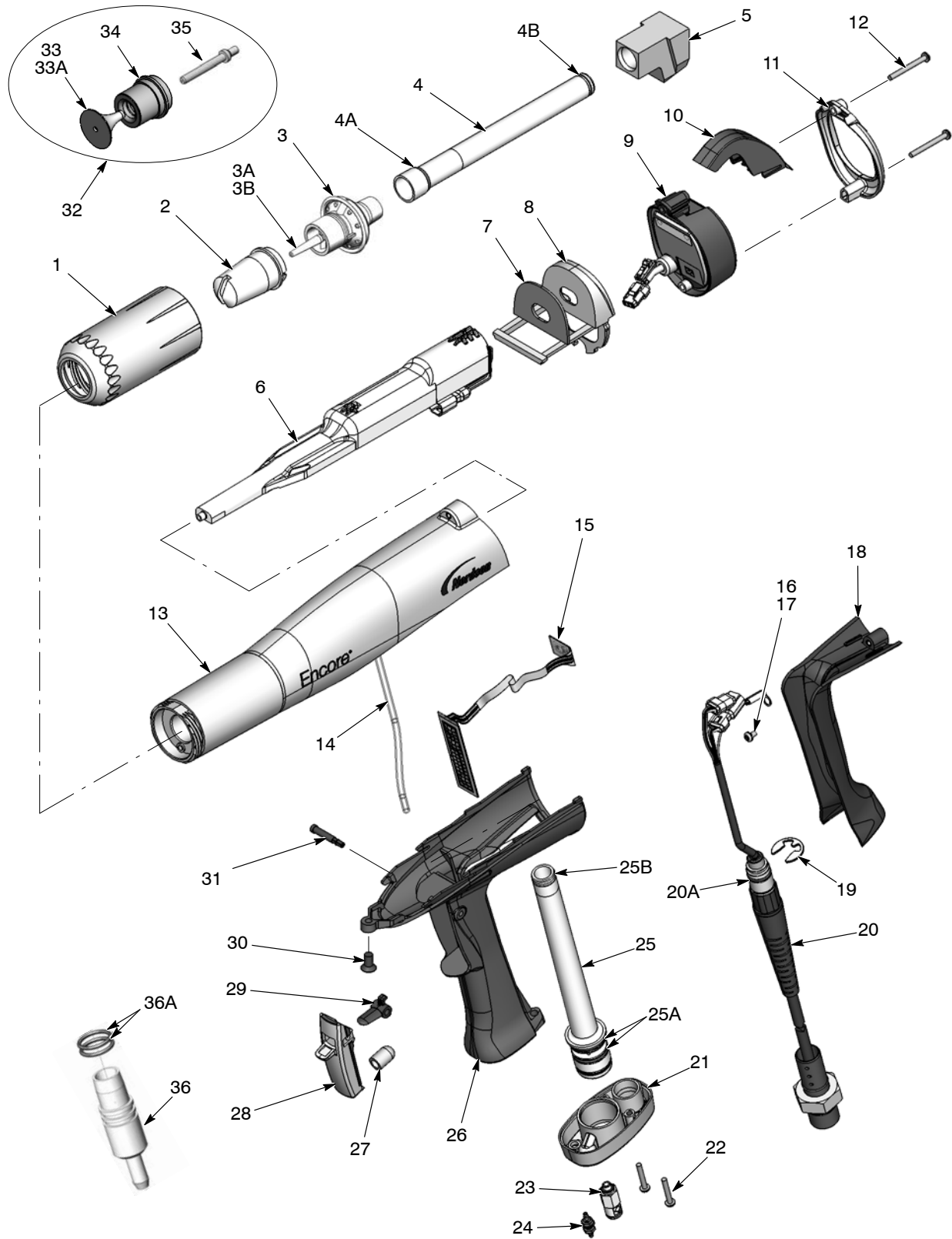


Figure 18-30 Exploded View of Encore HD Manual Spray Gun and Accessories

Miscellaneous Spray Gun Options

See Figure 18-30.

Item	Part	Description	Quantity	Note
4	1096698	KIT, powder outlet tube, wear resistant	1	
4A	1081785	• O-RING, silicone, 0.468 x 0.568 x 0.05 in.	1	
4B	941113	• O-RING, silicone, 0.438 x 0.625 x 0.094 in.	1	
18	1096696	ELBOW, powder tube, Encore, impact resistant	1	
NS	1085168	CABLE, 6-wire, shielded, handgun, 6 meter extension	1	

NS: Not Shown

Lance Extensions

See Figure 18-31. The nozzles listed in the *Encore Nozzles* section install directly on the lance extensions. Refer to the instruction sheet shipped with the lance extensions for installation instructions and repair parts.

NOTE: A conical electrode holder is required for use with conical deflectors and lance extensions. See the *Encore Nozzles* section for more information.

Item	Part	Part	Description	Quantity	Note
—	1604965		LANCE EXTENSION ASSY, Encore HD, 150 mm	1	
—		1604970	LANCE EXTENSION ASSY, Encore HD, 300 mm	1	
1	1604972		• KIT, body assy, lance extension, Encore, 150 mm	1	
1		1604973	• KIT, body assy, lance extension, Encore, 300 mm	1	
2	1097527	1097527	• SEAL, tube, powder		
3	1604961		• TUBE, powder, lance extension, 150 mm, Encore	1	
3		1604968	• TUBE, powder, lance extension, 300 mm, Encore	1	

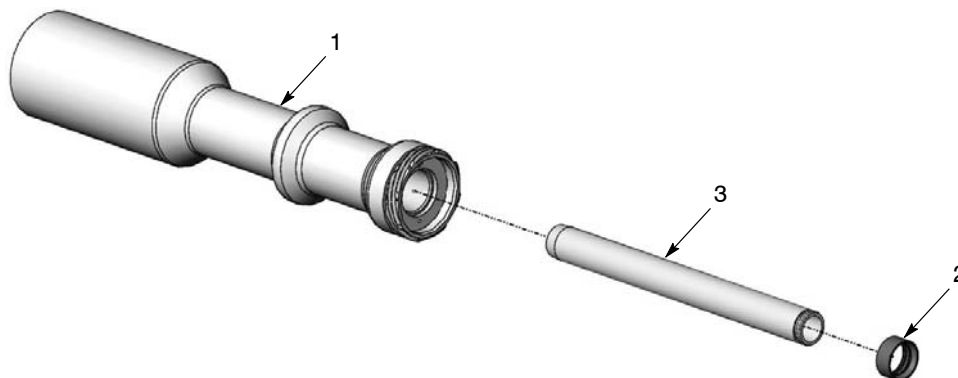


Figure 18-31 Encore HD Lance Extension

Ion Collector

This kit installs on the standard length gun. Refer to the instruction sheet shipped with the spray gun for installation instructions and repair parts.

Part	Description	Note
1603854	KIT, ion collector assembly, manual, Encore (std length gun)	

Ion Collector Components for Lance Extensions

To use the ion collector kit listed above with 150-mm or 300-mm Lance Extensions, order one of the rods and the bracket listed below. Refer to the instruction sheet shipped with the kit for installation instructions.

Item	Part	Description	Quantity	Note
—	189483	ROD, ion collector, 15 in.	1	A
—	189484	ROD, ion collector, 21 in.	1	B
NOTE A: Use for 150-mm lance extension. B: Use for 300-mm lance extension.				

Encore HD Manual System Controller

See Figure 18-32.

Item	Part	Description	Quantity	Note
-	1604125	CONTROL UNIT, interface, Encore HD	1	
1	1602313	• PANEL, keypad, Encore HD controller	1	
2	1079994	• PCA, main controller display, Encore HD	1	
3	1103111	• PCA, main control, Encore HD	1	
4	1604125	• PCA, control unit, interface, Encore HD	1	
5	982308	• SCREW, pan head, recessed, M4 x 10, zinc	8	
6	983403	• WASHER, lock, split, M4, steel, zinc	8	
7	982636	• SCREW, button, socket, M5 x 12, zinc	2	
8	983127	• WASHER, lock, internal, M5, zinc	2	
9	982286	• SCREW, flat, slotted, M5 x 10, zinc	4	
10	984702	• NUT, hex, m5, brass	2	
11	983401	• WASHER, lock, split, M5, steel, zinc	2	
12	983021	• WASHER, flat, 0.203 x 0.406 x 0.040, brass	2	
13	240674	• TAG, ground	2	
14	939122	• SEAL, conduit fitting, 1/2 in., blue	2	
15	984526	• NUT, lock, 1/2 in. conduit	2	
16	1082709	• RECEPTACLE, gun, Encore HD	1	A
17	1082759	• RECEPTACLE, net, controller interface, Encore HD	1	A
18	1082734	• ENCLOSURE, controller interface, Encore HD	1	

NOTE A: Receptacles include harnesses.

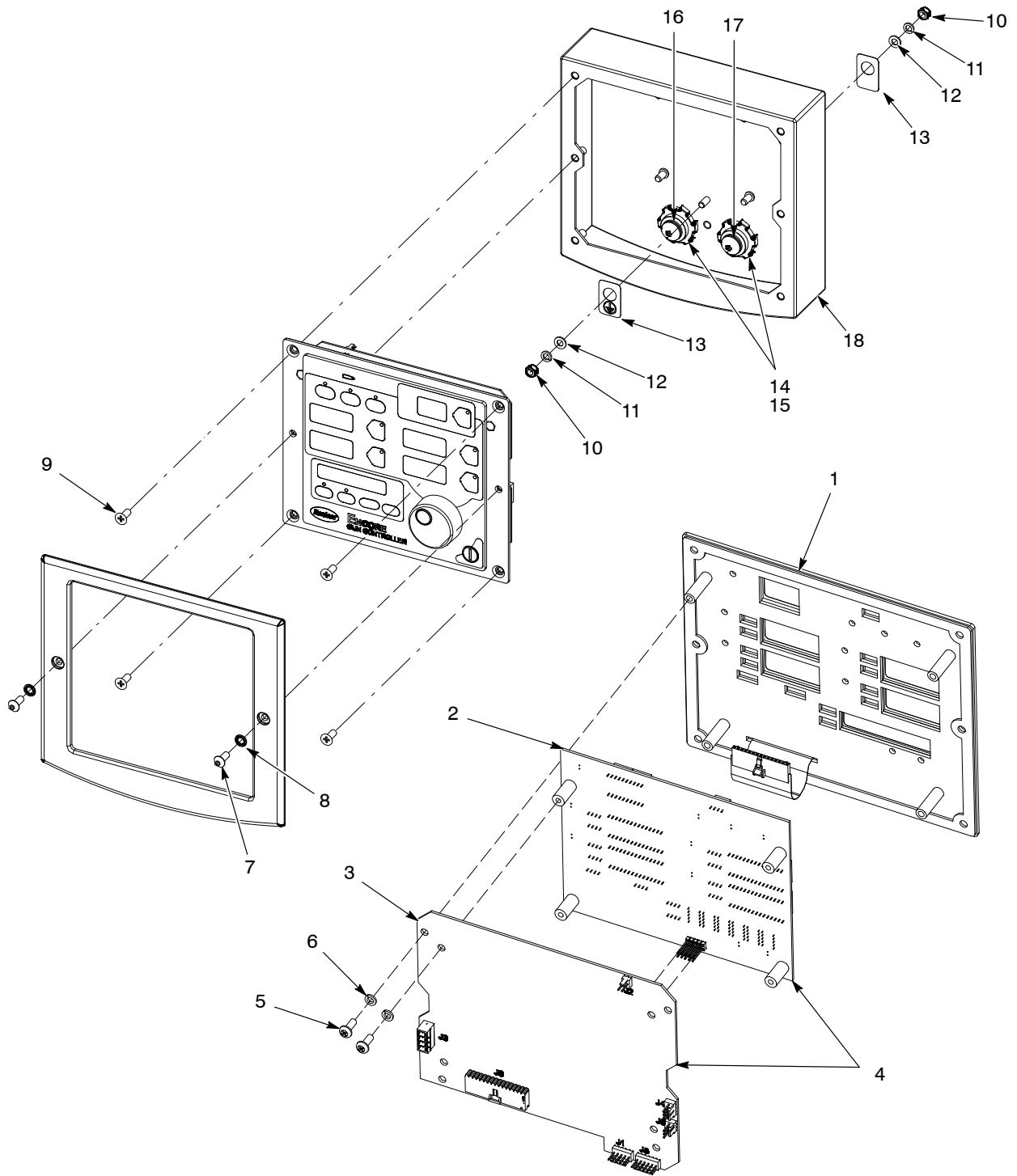


Figure 18-32 Encore HD Controller Parts

Rail Mount

See Figure 18-33.

Item	Part	Description	Quantity	Note
1	1082722	BRACKET, controller rail mount	1	
2	1103115	SCREW, hex, serrated, M8 x 16mm, zinc	2	
3	1091006	NUT, hex, flanged, serrated, M8	2	
4	1604881	BRACKET, universal mount	1	
5	982448	SCREW, skt, cap, M4 x 12mm	4	
6	983403	WASHER, lock, M4	3	
7	1084121	WASHER, lock, dished #8	1	
8	981346	SCREW, hex, 0.5/16 - 8 x 2.500	2	
9	336281	NUT, hex, serrated, 0.5/16 - 18	2	

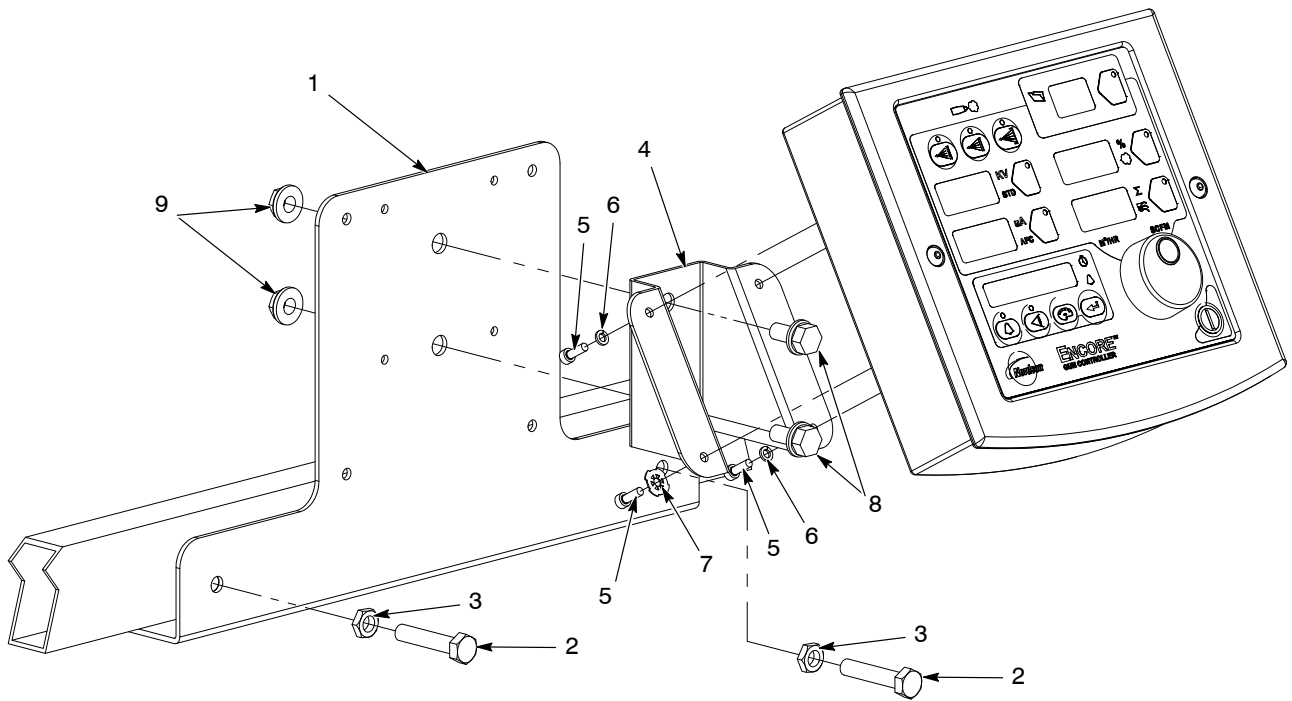


Figure 18-33 Rail Mount System Parts

Controller Interconnect Cable

See Figure 18-34.

Item	Part	Description	Quantity	Note
1	1604135	CABLE, net, 50 ft. Encore HD	1	

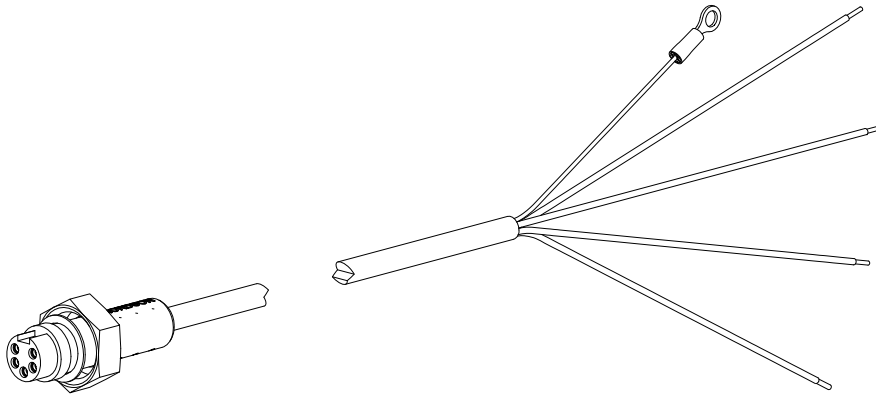


Figure 18-34 Controller Interconnect Cable

Prodigy Generation I Products

Prodigy Generation I products were manufactured prior to October 2007.

Prodigy Manual Spray Gun – Generation I

See Figure 18-35. For a complete parts list refer to manual 1077434.

Item	Part	Description	Note
1	1010561	Holder, electrode, M4	
2	1064038	Electrode, spring contact	
3	1049605	Holder, resistor	
4	1053912	Kit resistor, cable, series	
5	982455	Screw, set, M6 x 1 x 8, nylon	
6	1053911	Kit grip ring, 8 mm, TE	A
7	1047934	Knob, lock, powder tube	
8	940117	O-ring, silicone	
10	1049603	Powder tube, Prodigy manual	
11	1062223	Kit, nozzle, 70 degree, conical	
12	1078850	Nut, retaining	
13	940212	O-ring	
14	1074027	Body, handgun, Prodigy	
15	288815	Rivet, snap, 0.125 in. dia	
16	983416	Washer lock, internal, M4	
17	288553	Post, spacer, hex	
18	1053595	Spacer, contact	
19	288552	Multiplier, 95 kV, neg	B
20	333988	Cap, end, handgun	
21	982800	Screw, pan, rec, M4 x 6	
22	1069680	Gasket, cover, handgun	
23	288561	Handle, w/cover, handgun	
23A	288534	• Gasket, base, hand gun	
24	288541	Trigger, purge, handgun	
25	1093489	Trigger, actuator, handgun	
26	288537	Pivot, threaded, gun, M5	
27	288549	Switch, keypad, trigger/purge	
28	288550	Pad, ground, small, handgun	B
29	288538	Base, handle, handgun	
30	1077437	Grommet, Buna-N	
31	288545	Bracket, hose, handgun	
32	982801	Screw, oval	
33	328524	Connector, ml, w/integral	
34	973402	Plug, pipe, socket, 1/8 in. NPT	
35	982825	Screw, pan head	
36	1080539	Kit, cable, handgun, 6 meter	
NS	1073706	Kit, nozzle, flat spray, dual slot,	
NS	1062166	Kit nozzle, 100 degree, conical	

NOTE A: The grip ring kit includes a quantity of 10 grip rings.

B: Options available. Refer to *Options Generation I* on page 18-61.

NS: Not Shown

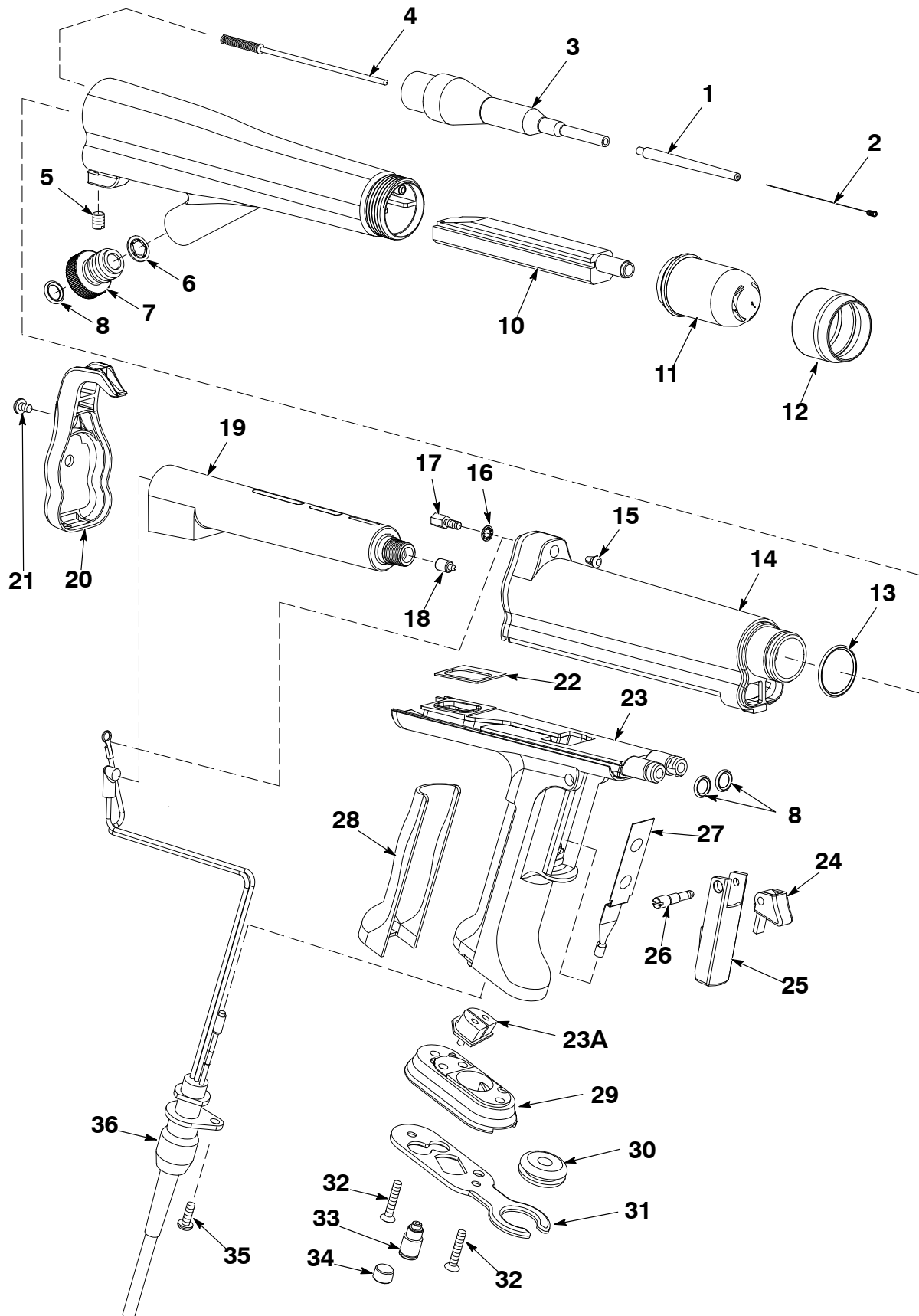


Figure 18-35 Prodigy Manual Spray Gun

Service Kits – Generation I

Part	Description	Note
1053911	Kit, grip ring, 8 mm TE, bulk	A
1080539	Kit, cable, handgun, Prodigy, 6 meter	
1053912	Kit, resistor, cable, series	

NOTE A: The grip ring kit includes a quantity of 10 grip rings.

Lance Extensions – Generation I

See Figure 18-36. For a complete parts list refer to manual 1067606.

Item	Part	Description	Note
—	1077430	Lance extension, 150 mm	A
—	1077431	Lance extension, 300 mm	A
1	1077441	• Contact, lance extension	DS
2	-----	• Extension body, 150 mm	
2	-----	• Extension body, 300 mm	
3	-----	• Powder tube assembly, 150 mm	
3	-----	• Powder tube assembly, 300 mm	
4	945072	• • O-ring	

NOTE A: Generation I lance extension are no longer available. See Generation II lance extensions (part numbers 1603177 and 1603178) on page 18-66 for replacement.

DS: Discontinued – Availability subject to change.

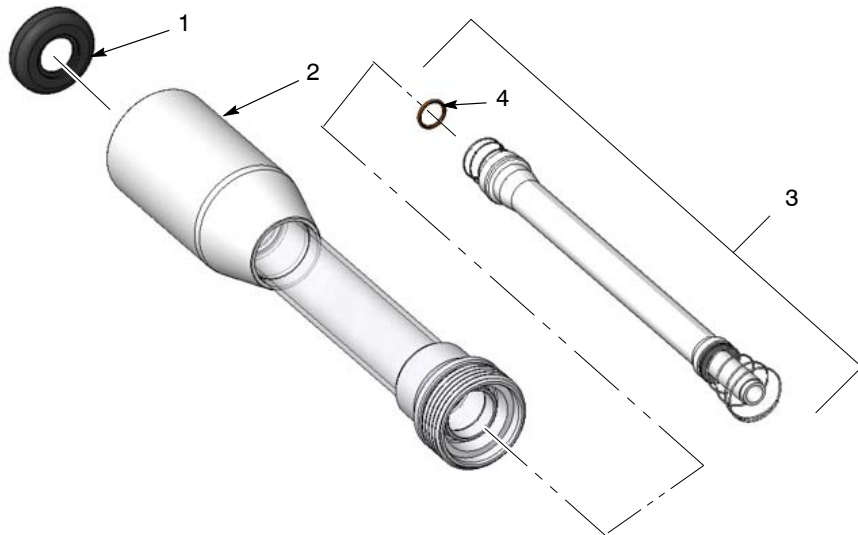


Figure 18-36 Prodigy Manual Spray Gun Lance Extensions

Powder and Air Tubing – Generation I

Powder and air tubing are not supplied with the spray gun, but are supplied as part of a manual powder spray gun system.

Part	Description	Min Order Qty (ft)
173101	Tubing, polyethylene, 8-mm OD, clear (Powder)	100
900742	Tubing, polyurethane, 6-mm OD, blue (Air)	50
1062178	Tubing cutter, 12 mm or less	N/A

Options Generation I

Part	Description	Note
288544	Pad, ground, medium, hand gun	A,DS
302112	Power supply, 95 kV, positive	DS
245733	Applicator, dielectric grease	B
161411	Plug, shorting, IPS	C
1083221	Cable, handgun, 6 meter extension	D
1077430	Lance extension, 150 mm, Prodigy	E
1077431	Lance extension, 300 mm, Prodigy	E
1077426	Kit, adapter, gun to Prodigy generation II	F
1098515	Kit, flexible tubing conversion, Prodigy generation II	G

NOTE A: For operators with larger hands. Replaces standard pad.
 B: Carton of 12 3-cc dielectric grease applicators.
 C: See Figure 18-37. Use for testing multiplier/resistor/electrode resistance.
 D: Do not add more than two extension cables to the gun cable.
 E: Refer to instruction sheet 1080399 for an illustrated spare parts list for the lance extensions.
 F: Converts the entire front end of a Prodigy generation I spray gun and adds the flexible powder tubing.
 G: Converts the existing stiff powder hose of a Prodigy generation I spray gun to the generation II flexible powder tubing to help avoid kinking.
 DS: Discontinued – Availability subject to change.

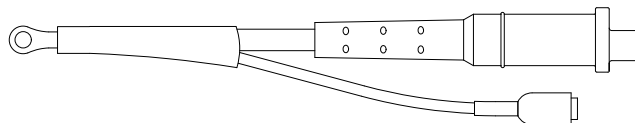


Figure 18-37 Shorting Plug for Testing Multiplier/Resistor/Electrode Assembly Resistance

Prodigy HDLV Gun Pump – Generation I

See Figure 18-38. For a complete parts list refer to manual 1081195.

Item	Part	Description	Note
1	1053310	Connector, female, 10 mm tube x 1/4 in. RPT	
2	-----	Valve, check, 1/4 in. NPTM x 1/4 in. NPTM, 15 psi, brass	A
3	-----	Plug, fluidizing tube access, HDLV pump	A
4	940142	O-ring, silicone	
5	940137	O-ring, silicone	
7	1605631	Gasket, face, HDLV pump	
9	1605630	• Gasket, HDLV pump	
10	-----	Body, pinch valve, HDLV pump	
14	982085	Screw, socket, M5 x 25, black	
15	983401	Washer, lock, M, split, M5, steel, zinc	
16	983035	Washer, flat, M, regular, 5, steel, zinc	
17	1062070	Nut, wear block tube retaining	
NS	945115	O-ring, Viton	
18	1053292	O-ring, silicone	
21	1053293	Screw, socket, M5 x 100, black	
NOTE A: Part no longer available. Upgrade kit (1078151) is available for replacements.			

Prodigy HDLV Gun Pump – Generation I – Spare Parts

See Figure 18-38.

Item	Part	Description	Note
—	1081221	Pinch Valve kit	A
11	-----	• Valve, pinch, HDLV pump	
19	-----	• Disc, filter, Prodigy HDLV pump	
—	1057258	Fluidizing tube kit	B
5	940137	• O-ring, silicone	
6	-----	• Tube, fluidizing, HDLV pump	
2	1078151	Check valve upgrade kit	
2	1078161	Check valve service kit, qty 2	
—	1057260	Lower manifold wear block kit	C
12	-----	• Block, wear, lower manifold, HDLV pump	
—	1097918	Pinch valve kit (for food contact)	A
11	-----	• Valve pinch, HDLV pump	
19	-----	• Disc, filter, Prodigy HDLV pump	
NOTE A: Kit includes 8 pinch valves, 1 insertion tool, and 8 filter discs			
B: Kit includes 4 tubes and 4 O-rings			
C: Kit includes 2 wear blocks and 2 O-rings.			

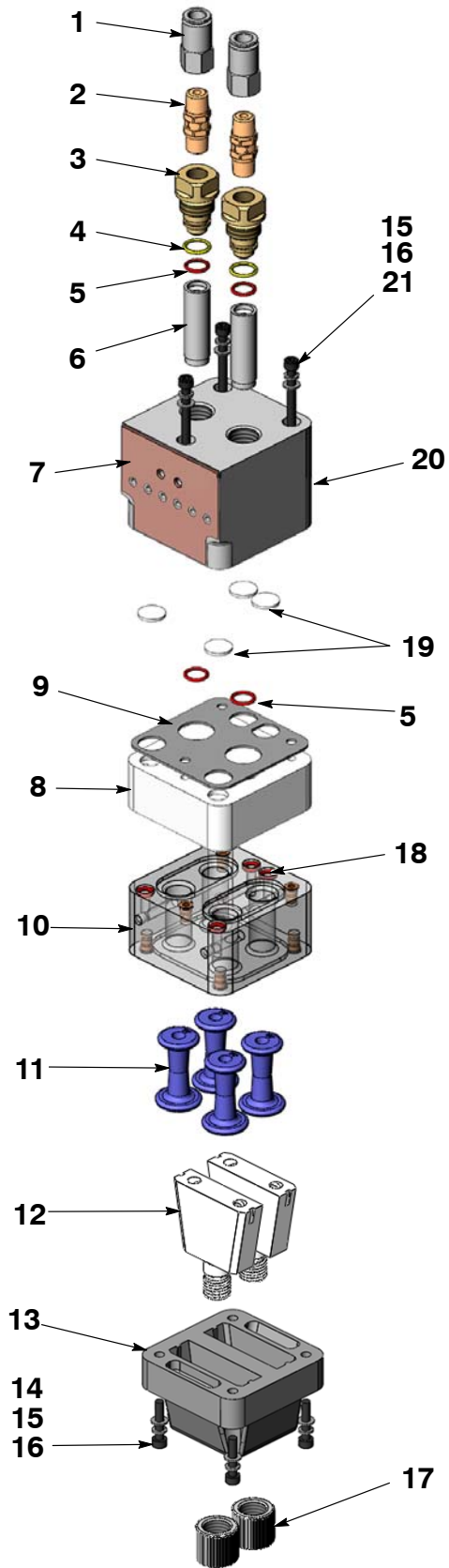


Figure 18-38 Prodigy HDLV Gun Pump

Prodigy Generation II Products

Prodigy generation II products were manufactured after October 2007.

Prodigy Manual Spray Gun – Generation II

See Figure 18-39. For a complete parts list refer to manual 1077434.

Item	Part	Description	Note
—	1077058	Gun, manual, 95 kV, generation II, Prodigy	
1	-----	Holder, resistor, Prodigy, manual, generation 2	
2	1053912	Kit, resistor, cable, series	
3	982455	Screw, set, M6 x 1 x 8, nylon	
4	940117	O-ring, silicone	
5	1047934	Knob, lock, powder tube	
6	1077421	Kit, adapter/spring plunger assembly, generation II	
7	1093440	Adapter, tubing, gun, Prodigy	
8	1062223	Kit, nozzle, 70 degree, conical	
9	1078850	Nut, retaining	
10	940212	O-ring	
11	1074027	Body, manual gun, Prodigy	
12	983416	Washer, lock, internal, M4	
13	288553	Post, spacer, hex	
14	1053595	Spacer, contact	
15	288552	Multiplier, 95 kV, negative	A
16	-----	Cap, end, manual gun	
17	982800	Screw, pan, recessed, M4 x 6	
18	1069680	Gasket, cover, manual gun	
19	288561	Handle, w/cover, manual gun	
19A	288534	• Gasket, base, manual gun	
20	288541	Trigger, purge, manual gun	
21	1093489	Trigger, actuator, manual gun	
22	288537	Pivot, threaded, gun, M5	
23	288549	Switch, keypad, trigger/purge	
24	288550	Pad, ground, small, manual gun	A
25	288538	Base, handle, manual gun	
26	1077437	Grommet, Buna-N	
27	288545	Bracket, hose, manual gun	
28	982801	Screw, oval	
29	328524	Connector, male, w/integral hex, 6mm tube x M5	
30	973402	Plug, pipe, socket, 1/8 in. NPT	
31	982825	Screw, pan head	
32	1080539	Kit, cable, manual gun, 6 meter	
NS	1073706	Kit, nozzle, flat spray, dual slot,	
NS	1062166	Kit nozzle, 100 degree, conical	
NS	1083221	Cable, manual gun, 6 m ext	
NS	1093531	Sleeving, mesh, tube insertion tool	B
NOTE A: Options available. Refer to <i>Options- Generation II</i> on page 18-67.			
B: Use this tool to install flexible powder tubing through the lock knob.			
NS: Not Shown			

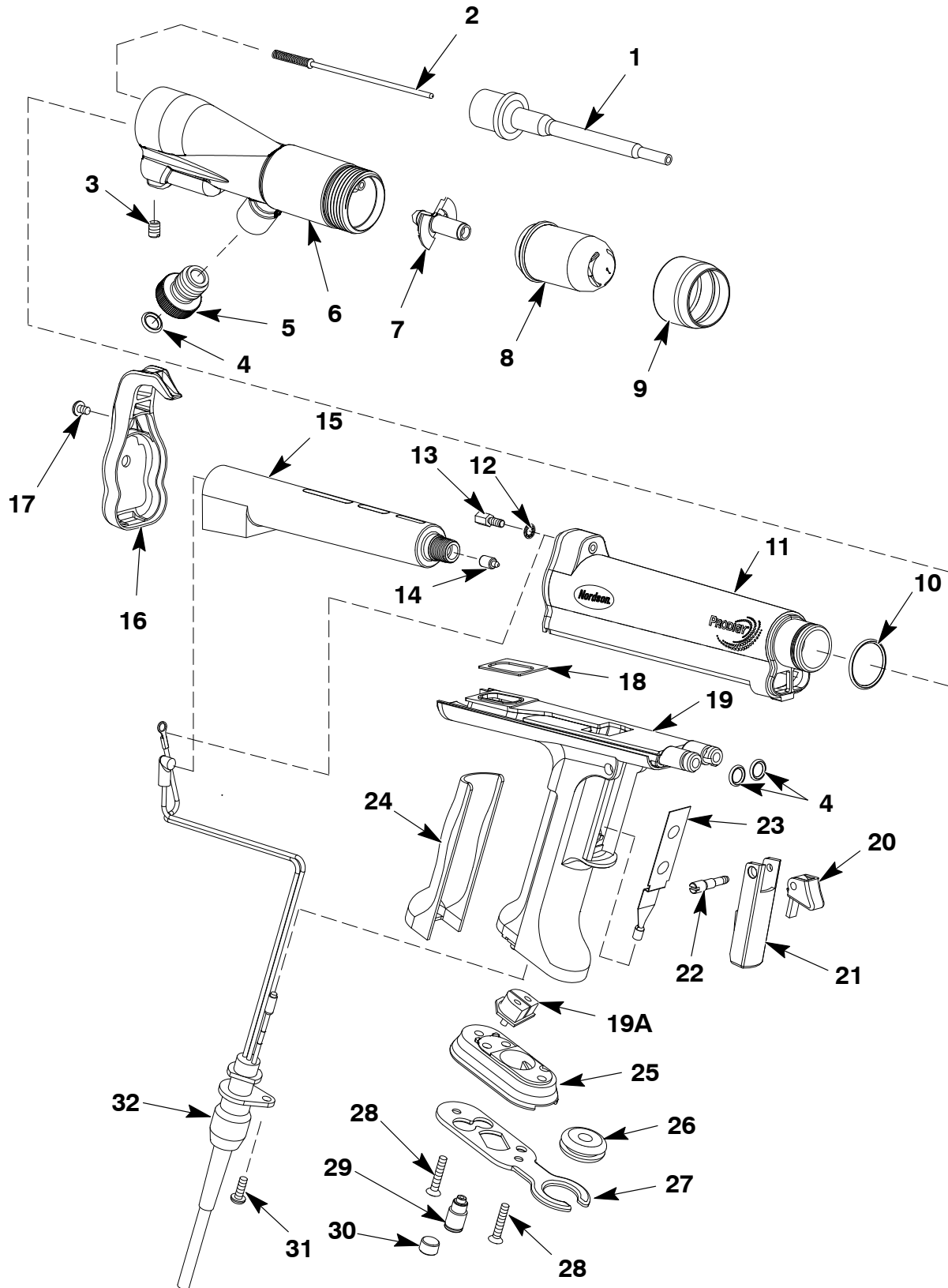


Figure 18-39 Prodigy Generation II Manual Spray Gun

Service Kits – Generation II Manual Spray Gun

Part	Description	Note
1080539	Kit, cable, handgun, Prodigy, 6 meter	
1053912	Kit, resistor, cable, series	
1077424	Kit, resistor holder, Prodigy, generation II	
1077426	Kit, adapter, gun to Prodigy generation II	A
1098515	Kit, flexible tubing conversion, Prodigy generation II	B

NOTE A: Converts the entire front end of a Prodigy generation I spray gun and adds the flexible powder tubing.

B: Converts the existing stiff powder hose of a Prodigy generation I spray gun to the generation II flexible powder tubing to help avoid kinking.

Lance Extensions – Generation II Manual Spray Gun

See Figure 18-40. For a complete parts list refer to manual 1603191.

Item	Part	Part	Description	Quantity	Note
—	1603177		LANCE EXTENSION, 150 mm, Prodigy, Generation II	1	
—		1603178	LANCE EXTENSION, 300 mm, Prodigy, Generation II	1	
1	1603252		<ul style="list-style-type: none"> KIT, body, lance extension, Prodigy Generation II, 150 mm 	1	
1		1603253	<ul style="list-style-type: none"> KIT, body, lance extension, Prodigy Generation II, 300 mm 	1	
2	1603188	1603188	<ul style="list-style-type: none"> HOUSING, seal, lance powder tube, Prodigy 		
3	940126	940126	<ul style="list-style-type: none"> O-RING, silicone, 0.375 x 0.500 x 0.063 	1	
4	1603189		<ul style="list-style-type: none"> TUBE, powder, lance extension, 150 mm, Prodigy II 	1	
4		1603190	<ul style="list-style-type: none"> TUBE, powder, lance extension, 300 mm, Prodigy II 	1	

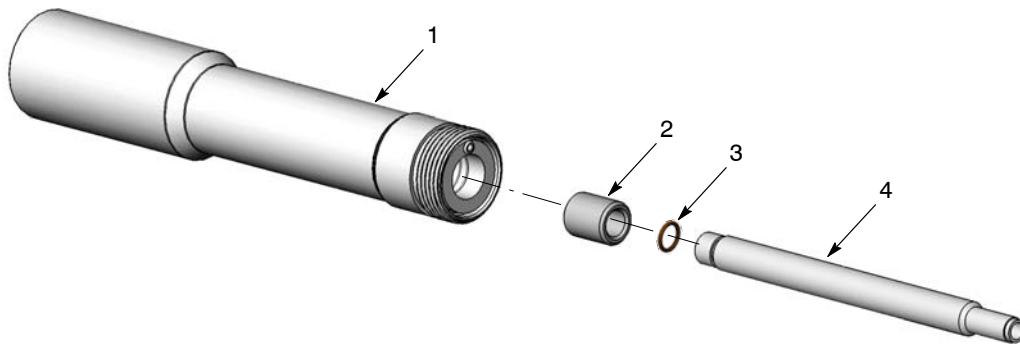


Figure 18-40 Parts

Powder and Air Tubing – Generation II

Powder and air tubing are supplied with a manual powder spray system, not with the spray gun.

Part	Description	Note	Min Order Qty (ft)
1080388	Tubing, powder, 8-mm OD x 6-mm ID, 500 ft bulk	A	500
1081783	Tubing, powder, 8-mm OD x 6-mm ID, 100 ft bulk	B	100
900742	Tubing, polyurethane, 6-mm OD, blue (Air)		50
1062178	Tubing cutter, 12 mm or less		N/A
1078006	Adapter, tube, barb		N/A

NOTE A: Tubing length is appropriate for an automatic gun system. The 500 ft minimum order is shipped on a spool.
 B: Tubing length is appropriate for a manual gun setup. The 100 ft minimum order is shipped in a box. (100 ft per box)

Options - Generation II

Part	Description	Note
288544	Pad, ground, medium, manual gun	A, DS
302112	Power supply, 95 kV, positive	DS
245733	Applicator, dielectric grease	B
161411	Plug, shorting, IPS	C
1073027	Cable, manual gun, 4 meter extension	D
1083221	Cable, manual gun, 6 meter extension	D
1073682	Kit, tool, insertion/extraction, nozzle	

NOTE A: For operators with larger hands. Replaces standard pad.
 B: Carton of 12 3-cc dielectric grease applicators.
 C: See Figure 18-41. Use for testing multiplier/resistor/electrode resistance.
 D: Do not add more than two extension cables to the gun cable.
 DS: Discontinued – Availability subject to change.

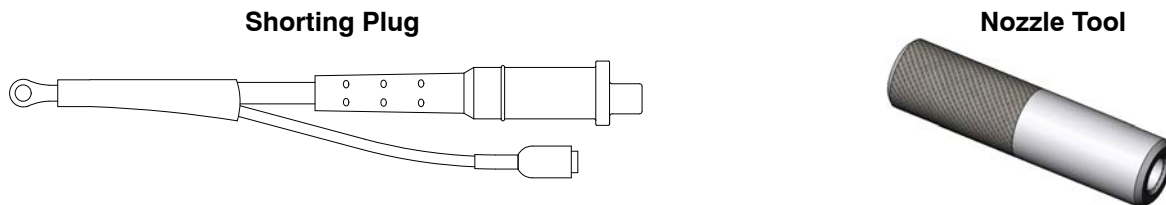


Figure 18-41 Shorting Plug for Testing Multiplier/Resistor/Electrode Assembly Resistance and Nozzle Tool

Prodigy Manual Spray Gun Controller

Manual Spray System Controller Kit

See Figure 18-42. For a complete parts list refer to manual 1102106.

Item	Part	Description	Note
—	1054451	Kit controller, manual, Prodigy	
1	288828	Kit, bracket, mounting, rail	
2	129592	Knob, clamping	

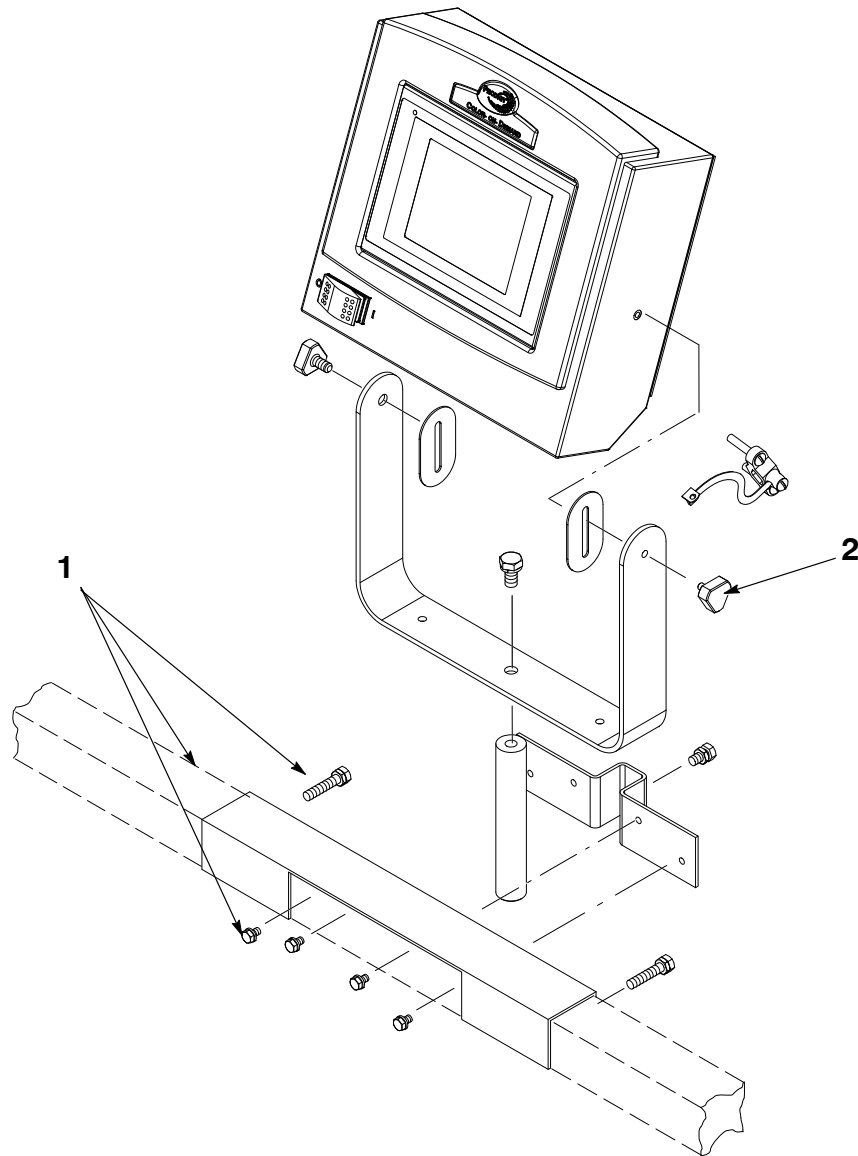


Figure 18-42 Prodigy Manual Powder Spray System Controller Kit

Manual Spray System Controller

See Figure 18-43.

Item	Part	Description	Note
1	1054451	PCA, manual gun interface, Prodigy	
2	1054441	Panel, keypad, manual control interface	
3	322404	Switch, rocker, DPST, dust-tight	

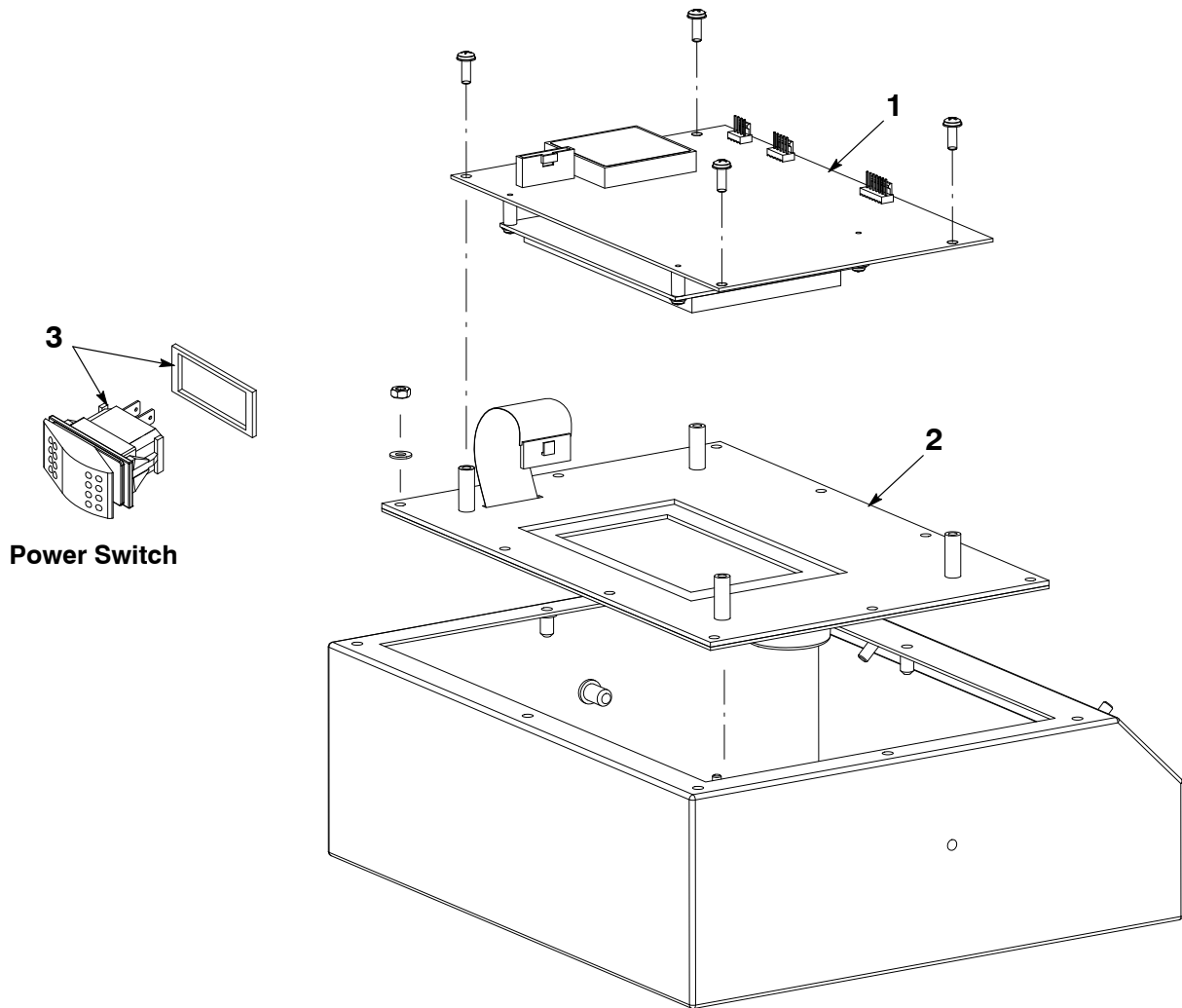


Figure 18-43 Controller Parts

Prodigy Generation III Systems

Systems and Controllers – Generation III

Description
System, COD, manual, single, Prodigy, generation III
System, COD, manual, dual, Prodigy, generation III
System, wall mount, single, Prodigy, generation III
System, wall mount, single with stand, Prodigy, generation III
System, wall mount, dual, Prodigy, generation III
System, wall mount, dual with stand, Prodigy, generation III
Controller, wall mount, single, Prodigy, generation III
Controller, wall mount, dual, Prodigy, generation III
Controller, 4 pump, Prodigy, generation III
Controller, 6 pump, Prodigy, generation III
Controller, 8 pump, Prodigy, generation III

Kits and Spare Parts

Part	Description
1101388	Kit, controller, manual gun, Prodigy, generation III
1101490	Kit, display, Pro-face AGP3300
1101498	Kit, PCA, replacement, pump control, Prodigy, generation III
1101454	Kit, PCA, PLC gateway, Prodigy, generation III
1101634	Kit, upgrade, high-flow, Prodigy, generation III
1101422	PLC gateway, Prodigy, generation III
1101488	Controller interface, color change, Prodigy, generation III
1101385	PCA, manual gun interface, Prodigy, generation III
1101343	Manifold, assembly, HDLV pump control, Prodigy, generation III

Prodigy Color-on-Demand® Instant Color Selector

The system part numbers are listed for reference only. Contact your Nordson representative for pricing information.

Color-on-Demand Manual Systems – Generation II

Part	Description	Note
-----	System, COD, manual, single, Prodigy generation II	OB
-----	System, COD, manual, dual, Prodigy, generation II	OB
OB: Obsolete – Availability subject to change.		

Ship with Kit Parts

Part	Description	Note
1064948	Switch, foot, air, 3-way, 100 psi	

Spare Parts

Part	Description	Note
1078007	Adapter, tube, barbed, COD, Prodigy, generation II	A
NOTE A: Used with flexible tubing. Install in manifold outlet fitting to connect pump suction line to manifold.		

Prodigy COD Controller

See Figure 18-44. For a complete parts list refer to manual 1102101.

Item	Part	Description	Note
—	1101488	Controller, interface, Prodigy color change	
1	-----	<ul style="list-style-type: none"> Terminal, display, Proface, AGP3300 	
2	322404	<ul style="list-style-type: none"> Switch, rocker, DPST, dust-tight 	

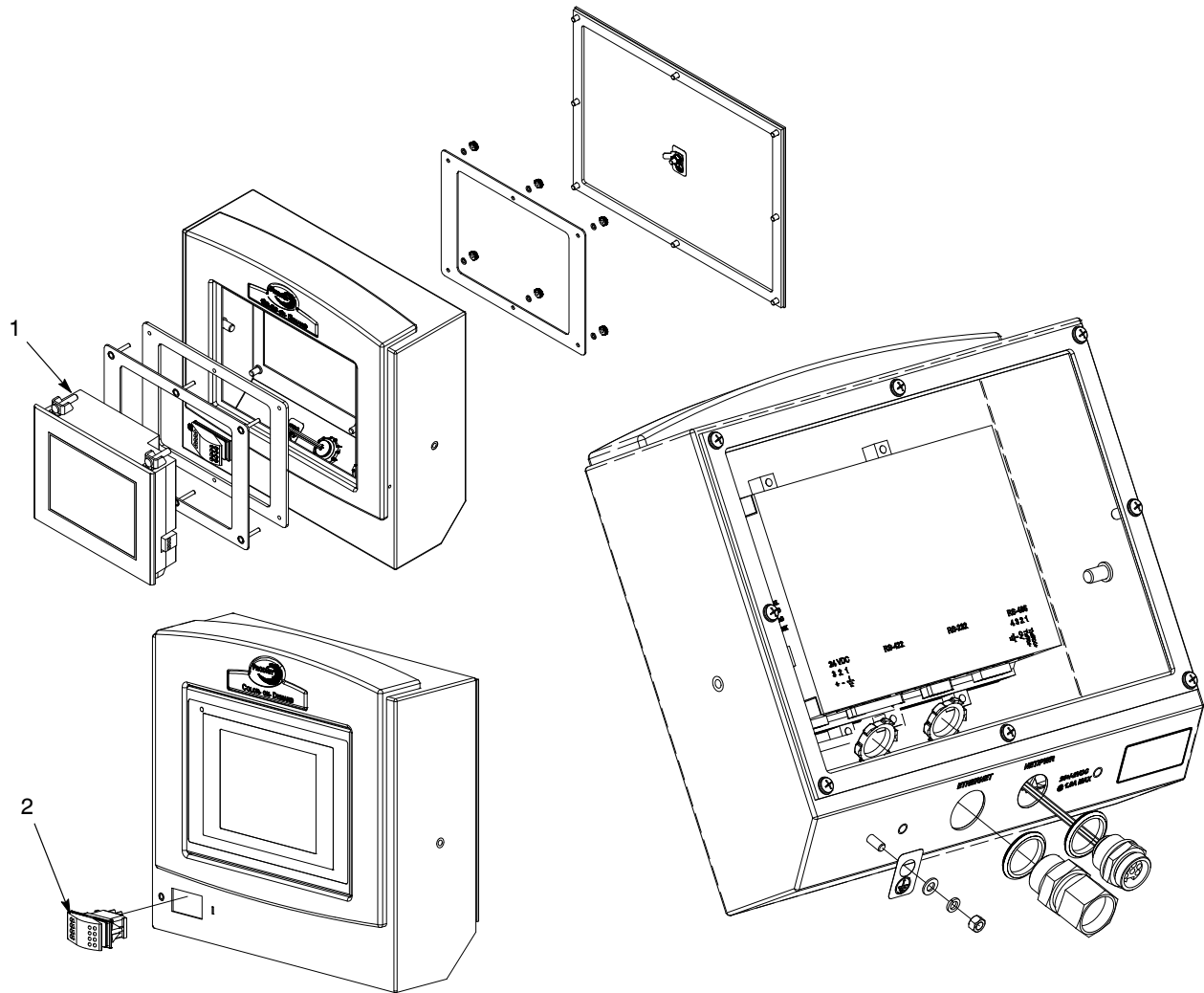


Figure 18-44 Prodigy Color-on-Demand Controller

Color Change Control Panel

See Figure 18-45. For a complete parts list refer to manual 1102101.

Item	Part	Description	Note
1	303132	Valve, 3/4 in. NPT, air operated	A
2	939513	Switch, press., norm open	A,DS
3	1068324	Valve, solenoid, 3 port, 24V, N.O., w/o leads	B
4	1068325	Valve, solenoid, 3 port, 24V, N.C., w/o leads	B

NOTE A: One required per gun.
 B: 31 N.O. valves and 1 N.C. valve required per gun.
 DS: Discontinued – Availability subject to change.

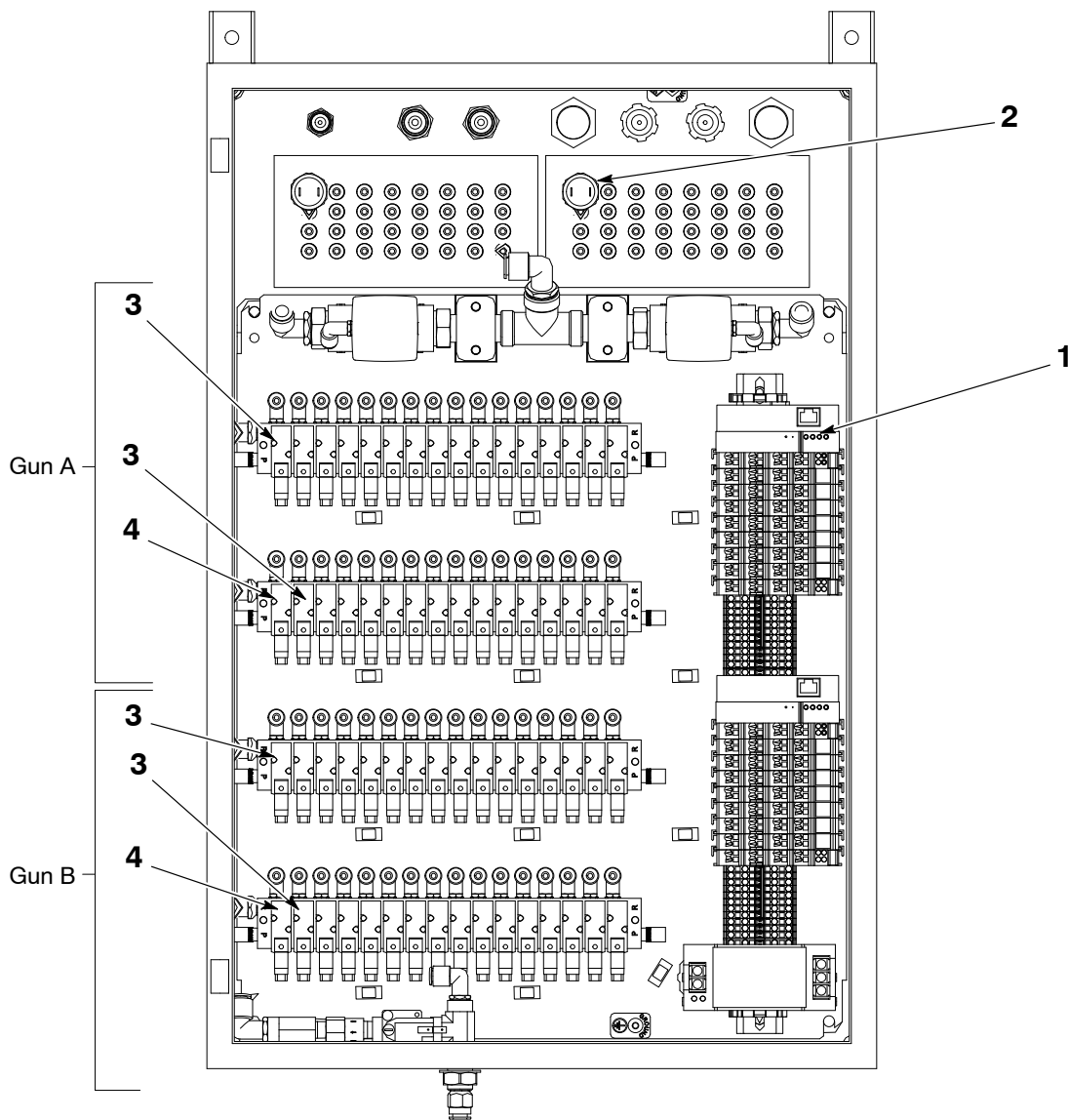


Figure 18-45 Color-on-Demand Color Change Control Panel Parts

Color Change Control Unit (PLC)

See Figure 18-46.

Item	Part	Description	Note
1	1106849	PLC, Ethernet controller, Wago, 750-842	A
2	1064193	Module, 8-channel digital input, Wago, 750-430	B
3	1064195	Module, 8-channel digital input, Wago, 750-530	C
4	1064191	Module, end, carrier, Wago, 750-600	
5	1064192	Power supply, 90W, 24Vdc, 3.75 amps, DIN rail	

NOTE A: Two required for dual control unit, one for single.

B: Four required for dual control unit, two for single.

C: Ten required for dual control unit, five for single.

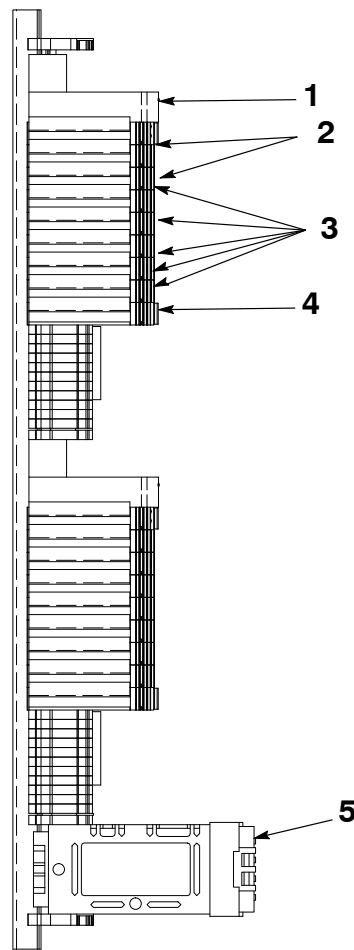


Figure 18-46 Color-on-Demand Color Change Control Unit (PLC)

Color Change Manifold

See Figure 18-47. For a complete parts list refer to manual 1102101.

Item	Part	Description	Note
1	1047934	Knob, lock, powder tube	
2	1065983	Kit, O-ring, Viton, 8.00 x 2.00, 12 pack	
3	1065982	Kit, Color-on-Demand bladder and filter discs, 10 pack	
4	1078007	Adapter, tube, barb, COD	A

NOTE A: Optional for flexible tubing.

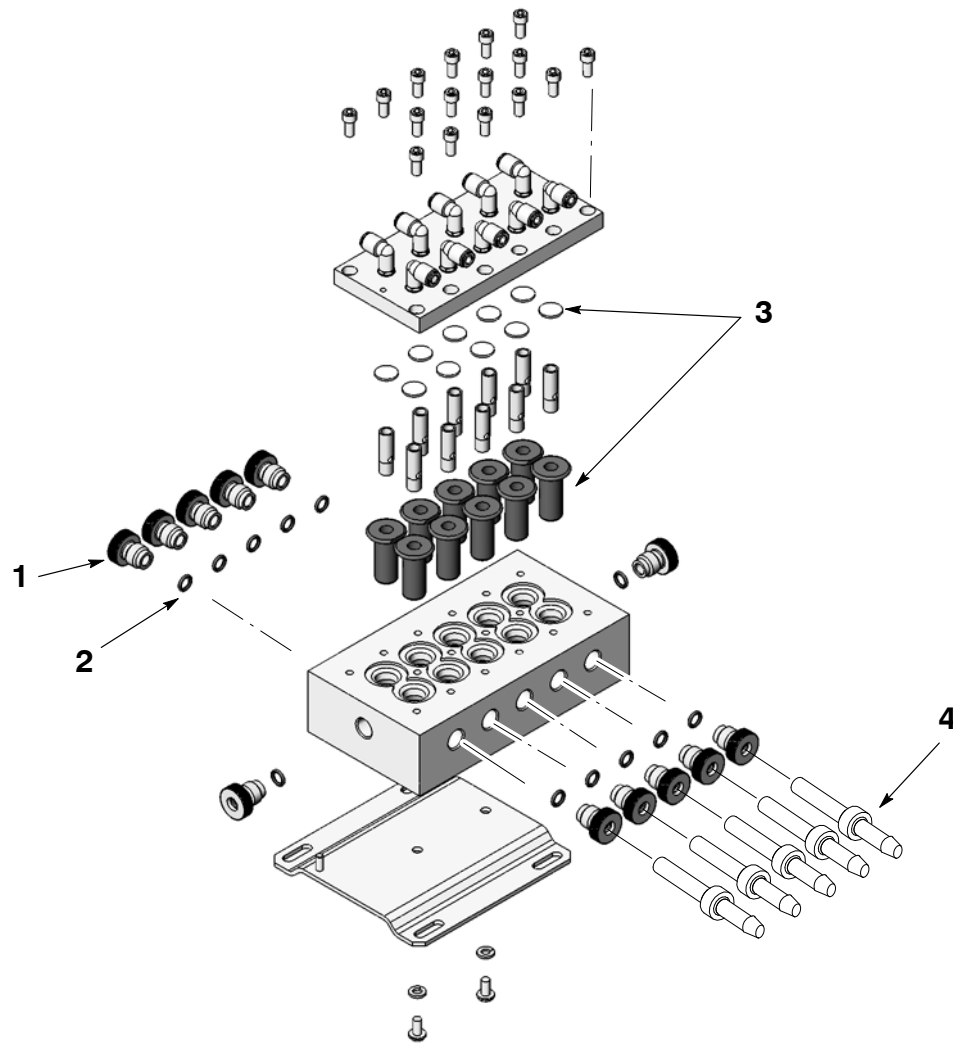


Figure 18-47 Color-on-Demand Color Change Manifold

Color-on-Demand Dump Valve

See Figure 18-48. For a complete parts list refer to manual 1102101.

Item	Part	Description	Note
—	1074720	Valve, dump, color-on-demand	
1	1066626	• Kit, pinch valve, 4 pack HDLV pump	A
2	1075460	Filter, inline, 1/8-in. NPT	

NOTE A: Use the insertion tool shipped with the pump pinch valve kit to install.

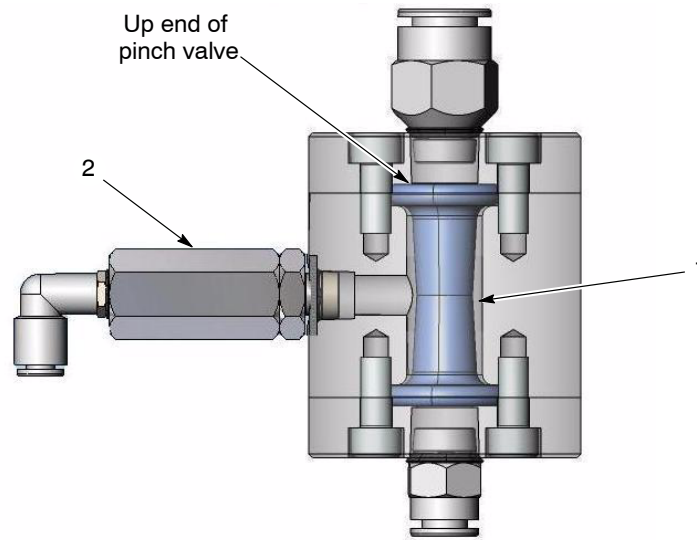


Figure 18-48 Color-on-Demand Dump Valve

Prodigy Automatic Spray Guns

Tube Mount Spray Gun

See Figure 18-50. For a complete parts list refer to manual 1054075.

Item	Part	Description	Note
Parts and Service Kits			
—	1101743	Gun, automatic, 95 kV, Prodigy	A
1	1078850	Nut, retaining	
2	1073706	Kit, nozzle, flat spray, dual slot, 1 mm	
3	1054529	Kit, adapter, Prodigy, spring, auto	
4	1053912	Kit, resistor, cable, series	B
5	1054599	Kit, cable, Prodigy	
6	1053911	Kit grip ring, 8mm TE, 10 pack	
7	1054590	Kit, heat sink, Prodigy, auto	C
8	288552	Multiplier, 95 kV, negative	
Options			
2	1062223	Kit, nozzle, 70 degree, conical	
2	1062166	Kit, nozzle, 100 degree, conical	
—	1050040	Cable, Prodigy, auto, 8 m	
—	1050043	Cable, Prodigy, auto, 12 m	
—	1069306	Cable, Prodigy, auto, 16 m	
—	302112	Multiplier, 95 kV, positive	DS
—	245733	Applicator, dielectric grease	
—	1101298	Gun clamp	D
9	1078007	Adapter, tube, barb, COD	E
—	1083221	Cable, manual gun, 6 m, ext	
<p>NOTE A: Control cables are optional.</p> <p>B: Kit includes one applicator with 3-cc of dielectric grease.</p> <p>C: Kit includes heat sink bracket, thermally conductive pad, and M4 nylon shoulder washer.</p> <p>D: See Figure 18-49.</p> <p>E: Optional for flexible tubing.</p> <p>DS: Discontinued – Availability subject to change.</p>			

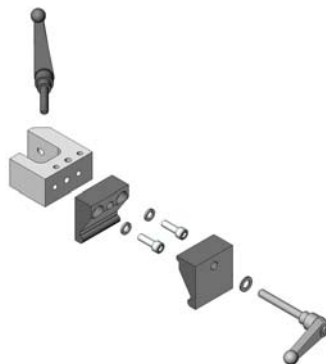


Figure 18-49 Optional Gun Clamp

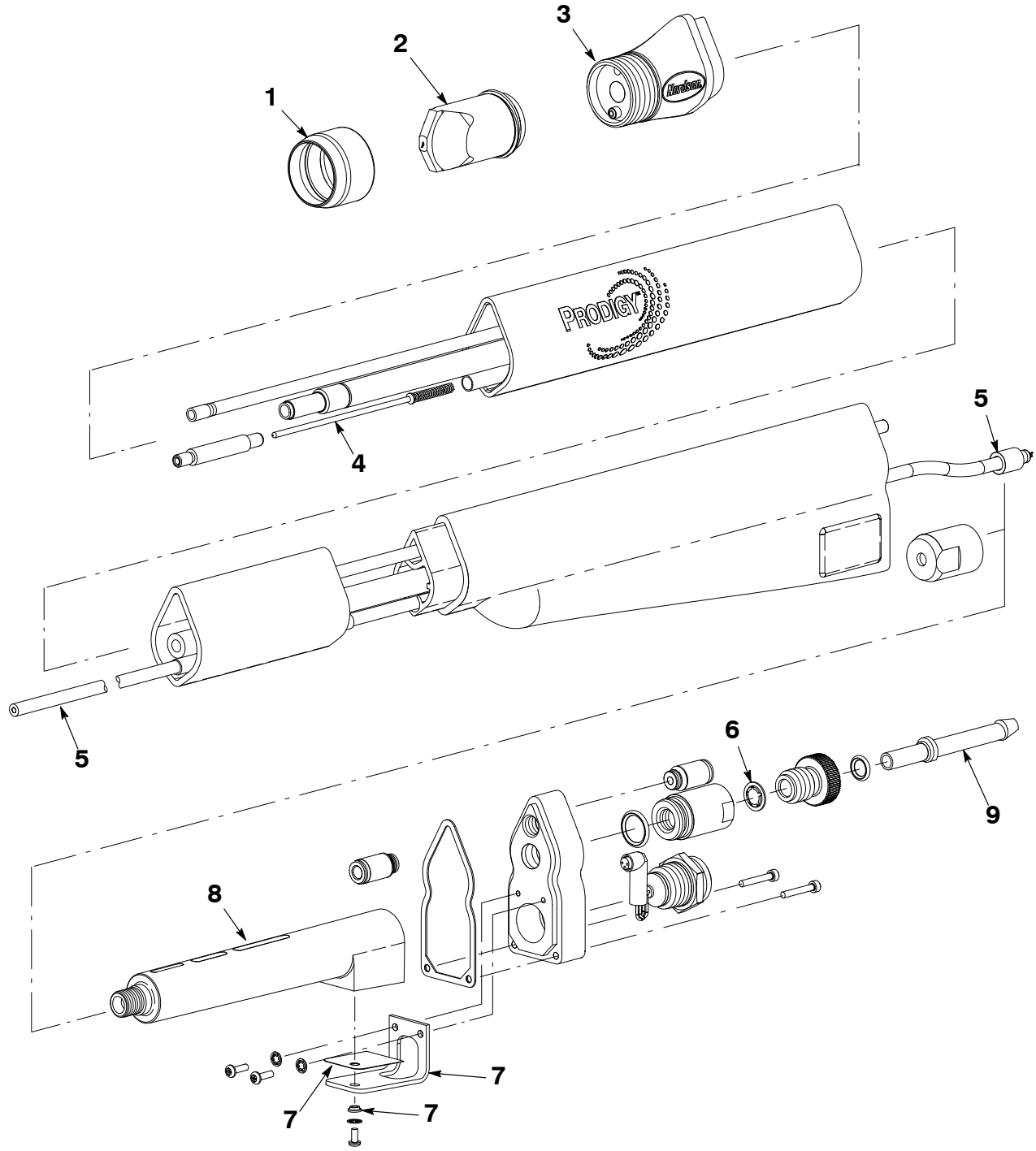


Figure 18-50 Prodigy Automatic Tube-Mount Spray Gun

Bar-Mount Spray Gun

See Figure 18-51. For a complete parts list refer to manual 1054075.

Item	Part	Description	Note
Parts and Service Kits			
—	1070497	Gun, automatic, 95 kV, Prodigy, bar mount	A
1	1078850	Nut, retaining	
2	1073706	Kit, nozzle, flat spray, dual slot, 1 mm	
3	1054529	Kit, adapter, Prodigy, spring, auto	
4	1053912	Kit, resistor, cable, series	B
5	1053911	Kit grip ring, 8mm TE, 10 pack	
6	1054590	Kit, heat sink, Prodigy, auto	C
7	288552	Multiplier, 95 kV, negative	
Options			
2	1062223	Kit, nozzle, 70 degree, conical	
2	1062166	Kit, nozzle, 100 degree, conical	
—	1050040	Cable, Prodigy, auto, 8 meter	
—	1050043	Cable, Prodigy, auto, 12 meter	
—	1069306	Cable, Prodigy, auto, 16 meter	
—	302112	Multiplier, 95 kV, positive	DS
—	245733	Applicator, dielectric grease	
8	1078007	Adapter, tube, barb, COD	
<p>NOTE A: Control cables are optional.</p> <p>B: Kit includes one applicator with 3-cc of dielectric grease.</p> <p>C: Kit includes heat sink bracket, thermally conductive pad, and M4 nylon shoulder washer.</p> <p>DS: Discontinued – Availability subject to change.</p>			

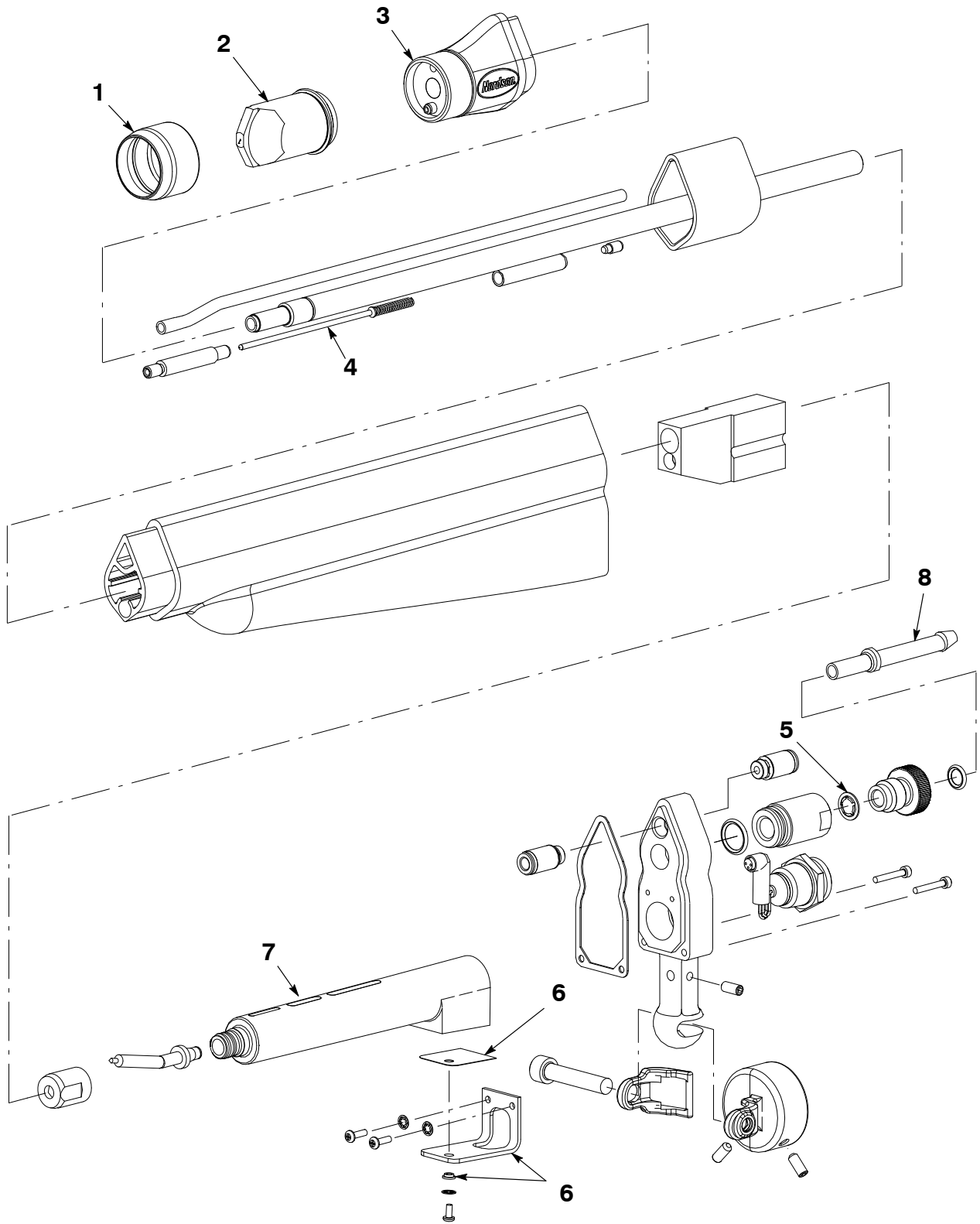


Figure 18-51 Prodigy Automatic Bar-Mount Gun

Prodigy Porcelain Enamel Automatic Spray Gun

See Figure 18-52. See manual 1093412 for complete parts list.

Item	Part	Description	Quantity	Note
—	1101744	GUN, PE auto, 95 kV, Prodigy, bar mount	1	
1	1078850	• NUT, retaining	1	
2	1073706	• KIT, nozzle, flat spray, dual slot, converging angle, 1 mm	1	D
3	1054529	• KIT, adapter, Prodigy, spring, auto	1	
3A	1093411	• TUBE, barbed, ceramic, PE gun, Prodigy	1	
4	900742	• TUBING, polyurethane, 6/4 mm, blue	1.1 ft	A
5	1093410	• CHANNEL, powder tube, PE gun, Prodigy auto	1	
6	1047933	• GUIDE, resistor	1	
7	1053912	• KIT, resistor, cable, series	1	B
8	1070028	• SLEEVE, Prodigy	1	
8A	1070029	• CONTACT, Prodigy	1	
9	1070027	• TUBE, body, short, Prodigy, auto	1	
10	1070040	• GUIDE, contact, Prodigy bar mount	1	
11	1047501	• HOUSING, 95 kV, Prodigy, auto	1	
12	327706	• NUT, Sure Coat multiplier, outlet	1	
12A	1006352	• CONTACT, multiplier, packaged	1	
13	288552	• POWER SUPPLY, 95 kV, negative	1	
14	972399	• CONNECTOR, male, w/hex, 6 mm tube x 1/8 in. unithread	2	
15	1047510	• GASKET, heatsink	1	
16	1070026	• HEATSINK, Prodigy auto gun, ball mount	1	
17	945127	• O-RING, Viton, 13.4 x 2.1 mm	1	
18	1047932	• NUT, lock, Prodigy, auto	1	
19	1053911	• GRIP RING, 8mm TE, 10 pack	10	
20	1047934	• KNOB, lock, powder tube	1	
21	940117	• O-RING, silicone, 0.312 x 0.438 x 0.063 in.	1	
22	1054073	• SCREW, socket head, M3 x 20 mm, steel, zinc	2	
23	1050007	• HARNESS, gun, Prodigy, auto	1	
24	1054590	• KIT, heat sink, Prodigy, auto	1	C
25	983520	• WASHER, lock, internal, M3, steel, zinc	3	
26	1054074	• SCREW, pan head, rec, 4-40, 0.25 in. zinc	1	
27	982341	• SCREW, pan head, recessed, M3 x 10, zinc	2	
28	982501	• SCREW, socket, M8 x 40, black	1	
29	327730	• CLAMP, pivot	1	
30	982067	• SCREW, set, cup, M5 x 5 black	3	
31	327721	• CLAMP, fixed	1	
32	1602017	• BRACKET, ion collector rod, bar mount, Prodigy	1	
33	983127	• WASHER, lock, internal, M5, zinc	1	
34	326507	• SCREW, pan head, cross-recessed, M5 x 8	1	
35	1101290	• ROD, bar mount ion collector, Prodigy	1	
36	1101268	• CLIP, ion collector, 4-probe, Prodigy, packaged	1	
37	1101304	• • SCREW, pan, recessed, M4 x 6, nylon, black	1	
NS	1093531	• SLEEVING, mesh, tube insertion tool	2 ft	

Continued...

Item	Part	Description	Quantity	Note
NS	1073682	• TOOL, insertion/extractor, nozzle	1	
<p>NOTE A: Bulk part number, order in increments of 1 foot, cut to required length. B: Kit includes one applicator with 3-cc of dielectric grease. C: Kit includes heat sink bracket, thermally conductive pad, and M4 nylon shoulder washer. D: Optional nozzles available. See Nozzle and Spray Pattern section.</p> <p>NS: Not Shown</p>				

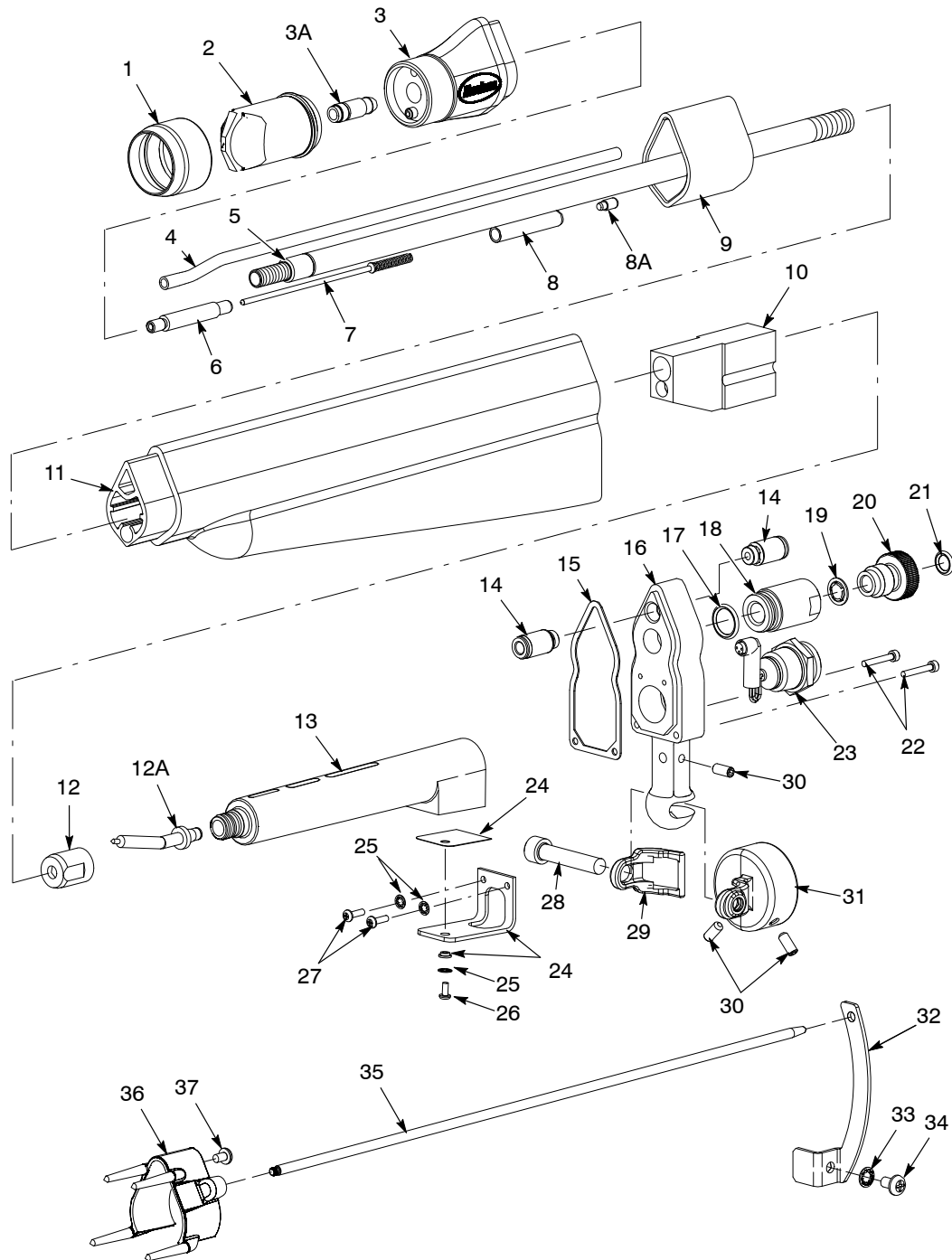


Figure 18-52 Prodigy PE Automatic Spray Gun Parts

Prodigy/Sure Coat® Nozzle Extension

See Figure 18-53. For a complete parts list refer to manual 1097315.

Item	Part	Description	Note
—	1097283	Kit, nozzle extension assembly	
1	1047537	• Electrode ring	
2	940203	• O-ring, silicone, 0.875 x 1.00 x 0.063 in.	
3	940156	• O-ring, silicone, 0.563 x 0.688 x 0.063 in.	
4	1097215	• Insert, filter, Prodigy/Sure Coat	
5	940126	• O-ring, silicone, 0.375 x 0.50 x 0.063 in.	
6	1073624	• Cone, porous, nozzle, flat spray	
7	1097278	• Kit, adapter assembly, Prodigy/Sure Coat nozzle extension	
7A	1097214	• • Electrode, spring, Prodigy/Sure Coat extension	
8	1097281	• Kit, electrode support, Prodigy/Sure Coat nozzle extension	
8A	-----	• • Support, electrode, 13 mm, heavy duty	
8B	941162	• • O-ring, silicone, 0.750 x 0.937 x 0.094 in.	
8C	940163	• • O-ring, silicone, 0.625 x 0.75 x 0.063 in.	
9	1097214	• Electrode, spring, Prodigy/Sure Coat nozzle extension	
10	1010561	• Holder, electrode, M4	
11	1010661	• Nozzle, flat spray, 13 mm ID, 4 mm slot	
12	1097230	• Nut, nozzle, Prodigy/Sure Coat nozzle extension	
13	982539	• Screw, set, slotted, M6 x 6, nylon, black	

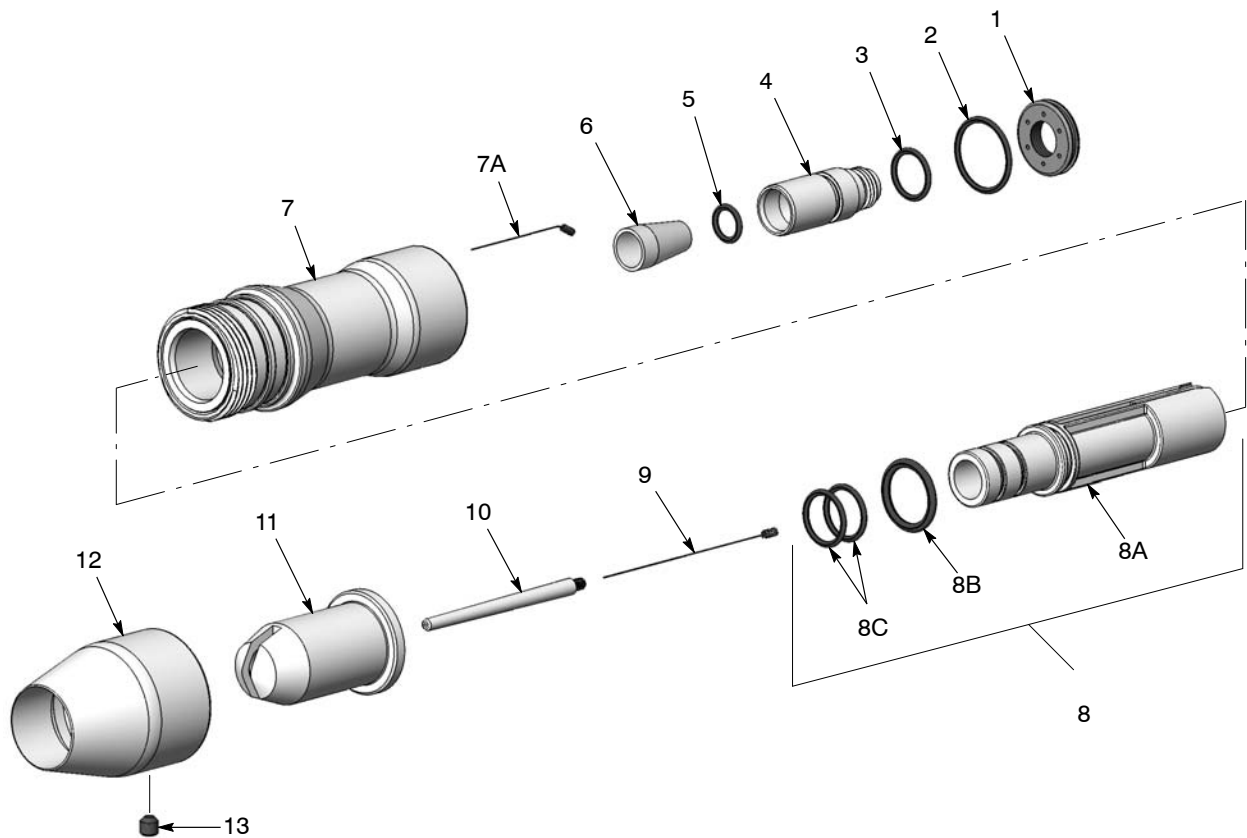


Figure 18-53 Nozzle Extension Parts

Ion Collector Retrofit Kit

Tube-Mount Gun

See Figure 18-54.

Item	Part	Description	Quantity	Note
-	1101300	KIT, ion collector retrofit, tube mount, Prodigy	1	
1	-----	<ul style="list-style-type: none"> JAW ASSEMBLY, fixed, with ground, Prodigy automatic 	1	
2	1101296	<ul style="list-style-type: none"> SUPPORT, ion collector, Prodigy, packaged 	1	
2A	982067	<ul style="list-style-type: none"> • SCREW, set, cup, M5 x 5, black 	1	
4	1101268	<ul style="list-style-type: none"> CLIP, ion collector, 4-probe, Prodigy, packaged 	1	
4A	1101304	<ul style="list-style-type: none"> • SCREW, pan, recessed, M4 x 6, nylon, black 	1	
Ion Collector Rod				
3	1101269	ROD, tube mount ion collector, Prodigy	1	A
NOTE A: The ion collector rods for the tube-mount retrofit kits must be ordered and shipped separately. This is because they are normally ordered in quantity, depending on the number of guns in the system.				

NOTE: Item 3 NOT included in retrofit kit. Order separately.

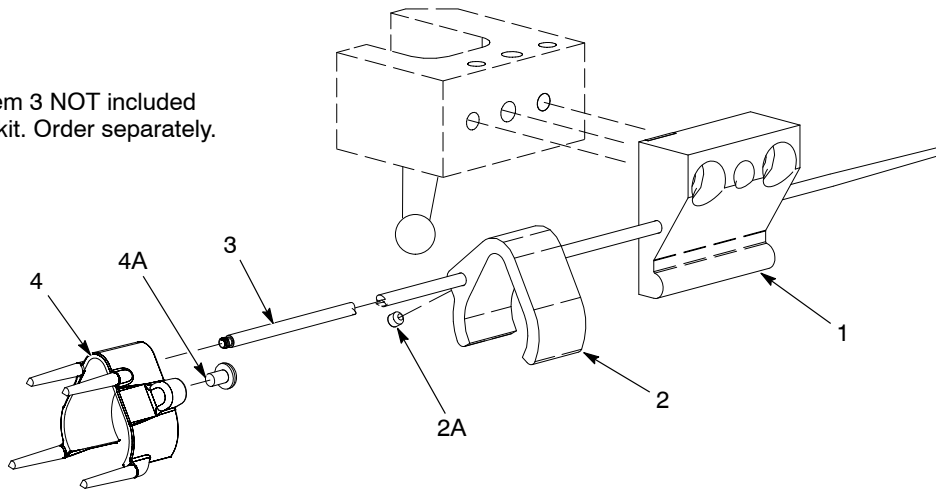


Figure 18-54 Ion Collector Retrofit Kit for Tube-Mount Gun

Bar-Mount Gun

See Figure 18-55.

Item	Part	Description	Quantity	Note
-	1101301	KIT, ion collector retrofit, bar mount, Prodigy	1	
1	1602017	• BRACKET, ion collector rod, bar mount, Prodigy	1	
2	983127	• WASHER, lock, internal, M5, zinc	1	
3	326507	• SCREW, pan head, cross-recessed, M5 x 8	1	
4	1101290	• ROD, bar mount ion collector, Prodigy	1	
5	1101268	• CLIP, ion collector, 4-probe, Prodigy, packaged	1	
6	1101304	• • SCREW, pan, recessed, M4 x 6, nylon, black	1	

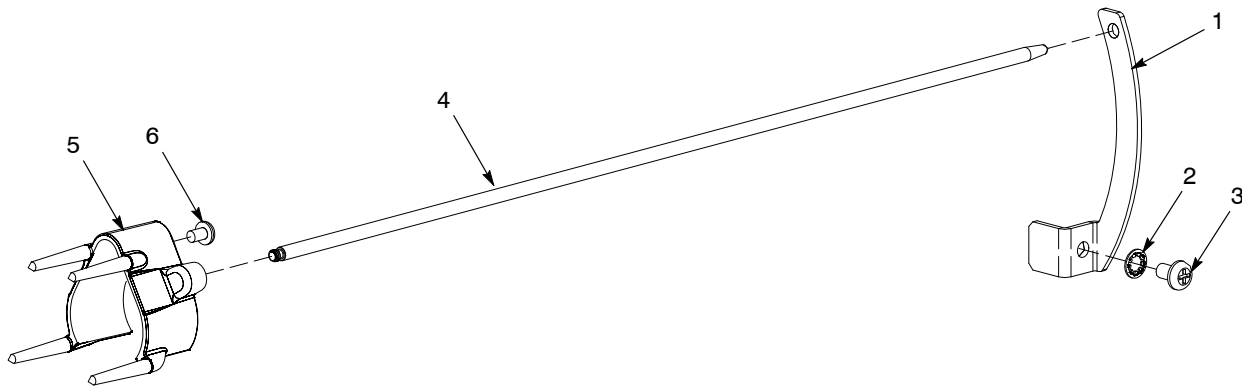


Figure 18-55 Ion Collector Retrofit Kit for Bar-Mount Gun

PE Gun

See Figure 18-56.

Item	Part	Description	Quantity	Note
-	1101301	KIT, ion collector retrofit, bar mount, Prodigy	1	
1	1602017	• BRACKET, ion collector rod, bar mount, Prodigy	1	
2	983127	• WASHER, lock, internal, M5, zinc	1	
3	326507	• SCREW, pan head, cross-recessed, M5 x 8	1	
4	1101290	• ROD, bar mount ion collector, Prodigy	1	
5	1101268	• CLIP, ion collector, 4-probe, Prodigy, packaged	1	
6	1101304	• • SCREW, pan, recessed, M4 x 6, nylon, black	1	

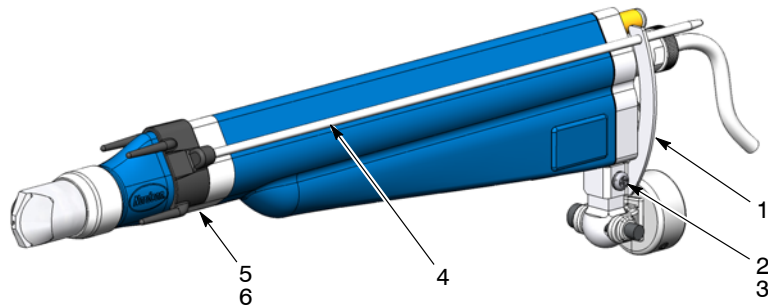


Figure 18-56 Ion Collector Kit for PE Gun

iControl® Integrated Control System for Prodigy Automatic Guns**Console Part Number List**

Parts numbers listed for reference only. For complete parts lists refer to manual 1105820.

Description
Controller, Prodigy, iControl, 4 gun
Controller, Prodigy, iControl, 6 gun
Controller, Prodigy, iControl, 8 gun
Controller, Prodigy, iControl, 10 gun
Controller, Prodigy, iControl, 12 gun
Controller, Prodigy, iControl, 14 gun
Controller, Prodigy, iControl, 16 gun
Controller, Prodigy, iControl, 18 gun
Controller, Prodigy, iControl, 20 gun
Controller, Prodigy, iControl, 22 gun
Controller, Prodigy, iControl, 24 gun
Controller, Prodigy, iControl, 26 gun
Controller, Prodigy, iControl, 28 gun
Controller, Prodigy, iControl, 30 gun
Controller, Prodigy, iControl, 32 gun
Controller, Prodigy, iControl, 4 gun, with A-C
Controller, Prodigy, iControl, 6 gun, with A-C
Controller, Prodigy, iControl, 8 gun, with A-C
Controller, Prodigy, iControl, 10 gun, with A-C
Controller, Prodigy, iControl, 12 gun, with A-C
Controller, Prodigy, iControl, 14 gun, with A-C
Controller, Prodigy, iControl, 16 gun, with A-C
Controller, Prodigy, iControl, 18 gun, with A-C
Controller, Prodigy, iControl, 20 gun, with A-C
Controller, Prodigy, iControl, 22 gun, with A-C
Controller, Prodigy, iControl, 24 gun, with A-C
Controller, Prodigy, iControl, 26 gun, with A-C
Controller, Prodigy, iControl, 28 gun, with A-C
Controller, Prodigy, iControl, 30 gun, with A-C
Controller, Prodigy, iControl, 32 gun, with A-C

Console Parts

See Figure 18-58 and 18-59 . For a complete parts list refer to manual 1105820.

Item	Part	Description	Quantity	Note
1	1100090	CONTROL UNIT, PC, panel mount, w/Ethernet	1	B
2	1051544	• INTERFACE CARD, PC104 CAN	1	
3	1105343	• CARD, I/O, PC104	1	
5	1000595	CONTACT BLOCK, 1-N.O. and 1-N.C. contact	1	
6	1000594	SWITCH, keylock, 3-position	1	
7	1032267	PANEL, keypad, iControl	1	
8	1100775	MODULE, 24-channel opto isolated	1	C
4	-----	• CABLE, IDE, 80-conductor	1	
9	1107146	JUMPER, comb style, 12 pole, 10 mm spacing	AR	A
NS	1055881	CABLE, CAT5 Ethernet, T568B colors, 30 ft	1	
11	1034281	MEMORY, CompactFlash	1	
12	1034283	MEMORY, programmed, iControl	1	
13	288806	CONTACT BLOCK, 2-N.O. contacts	1	
14	334806	SWITCH, round, 2-position, 90 degree	1	
22	1023939	PCA, backplane iControl	2	
23	1023877	PCA, dual gun driver, iControl	AR	D
23A	1095361	JUMPER, gun ID, odd number	AR	E
24	1098442	POWER SUPPLY, 24V, 250 watt w/fan	2	F

NOTE A: Jumpers may need to be trimmed to fit into terminals.
 B: See Figure 18-57. When replacing an obsolete PC with a new PC, order kit 1107109. When replacing a new PC, order part number 1100090 for a direct replacement.
 C: When replacing an obsolete module (model ID-AX754), order kit 1107140. When replacing a new module (model ID-PCLD-782B), order part number 1100775 for a direct replacement.
 D: One card controls the electrostatics for 2 automatic spray guns.
 E: Use to prevent fault LED from lighting when odd number of guns are connected. Plug into gun card receptacle in place of receptacle harness for unused receptacle. One jumper is shipped with each console.
 F: See Figure 18-60. When replacing obsolete power supplies (334817 or 334803), order kit 1107143 to update system to a single power supply. If replacing a new power supply (1098442), order 1098442 for a direct replacement.

AR: As Required
 NS: Not Shown

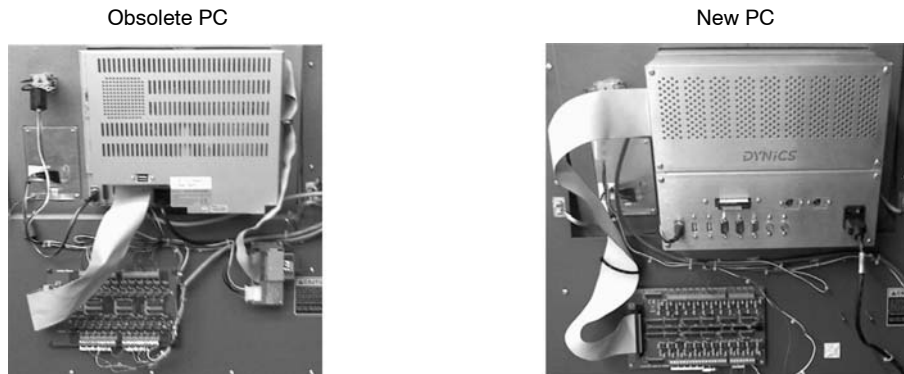


Figure 18-57 Obsolete and New iControl PC

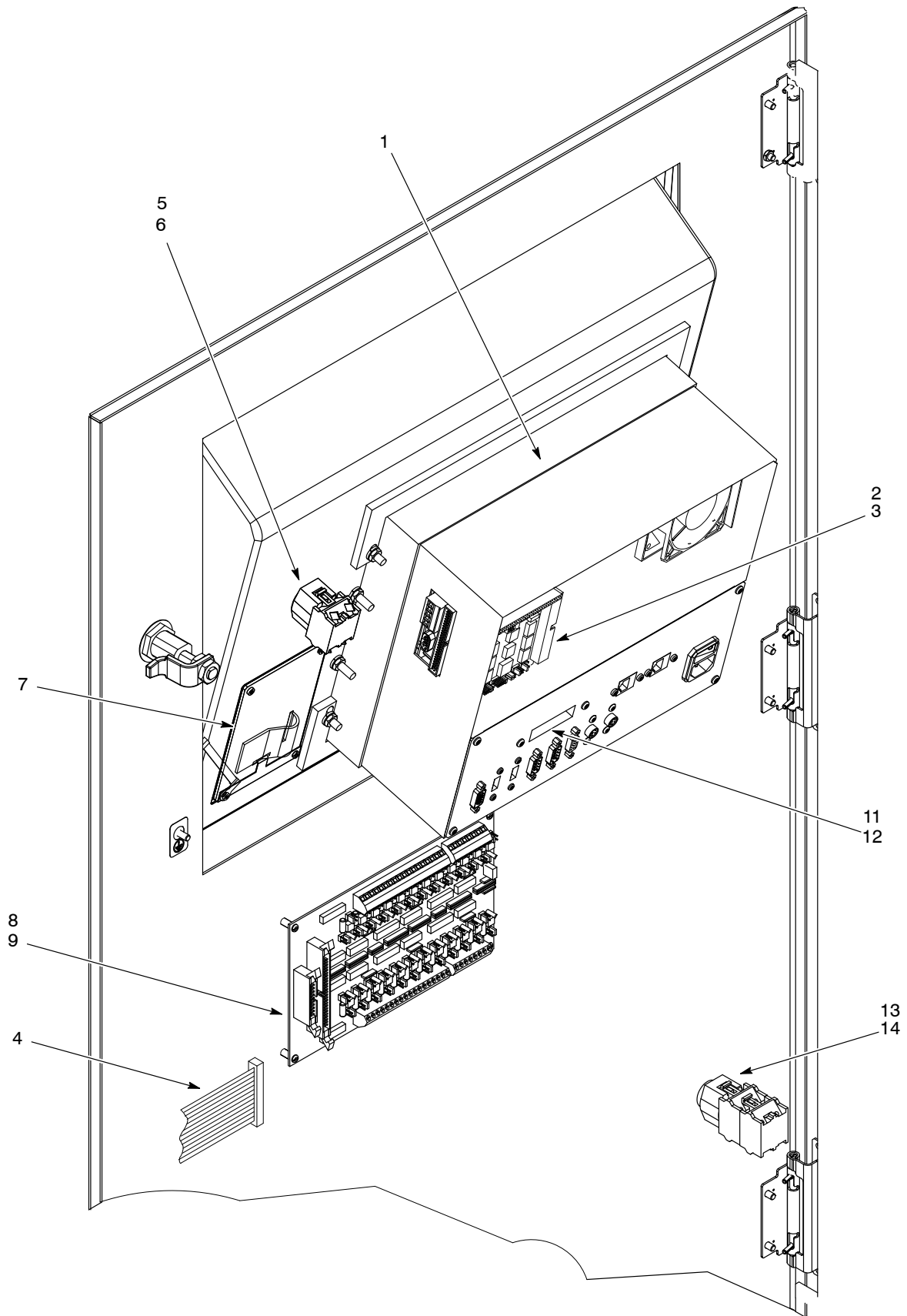


Figure 18-58 Console Parts (1 of 2)

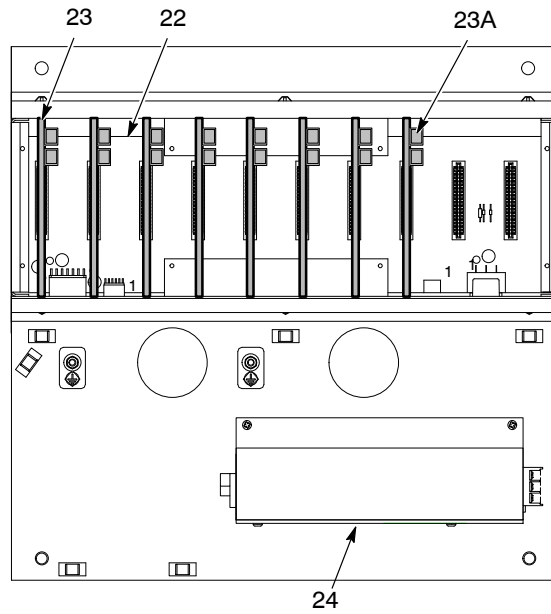


Figure 18-59 Console Parts (2 of 2)

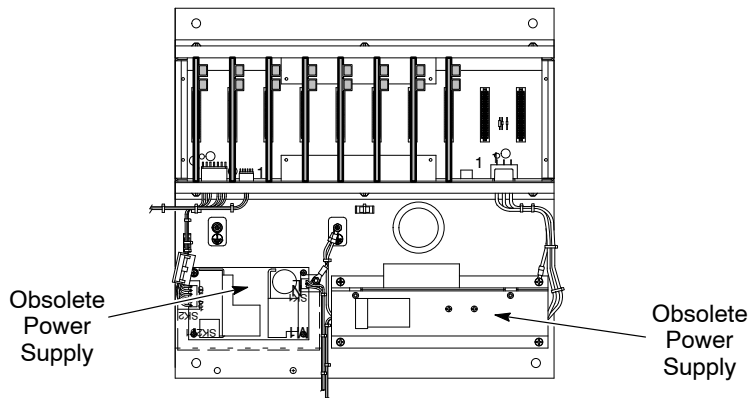


Figure 18-60 Obsolete Power Supplies

iControl Air Conditioning Conversion Kits

For a complete parts list refer to manual 1077687.

Part	Description	Note
1080049	Conversion kit, AC unit, iControl Prodigy	

Prodigy Nozzles and Nozzle Kits

Prodigy Nozzles and Nozzle Kits	18-92
---------------------------------------	--------------

Prodigy Nozzles and Nozzle Kits

See Figure 18-61.

Part	Description	Note
Conical Nozzles		
1062223	Kit, nozzle, conical, 70 deg, Prodigy, assembly	E
1062160	• Nozzle, conical, 70 deg, Prodigy, shell	D
1062166	Kit, nozzle, conical, 100 deg, Prodigy, assembly	
1062161	• Nozzle, conical, 100 deg, Prodigy, shell	D
1073819	Kit, nozzle, conical, 40 deg, Prodigy, assembly	
1073818	• Nozzle, conical, 40 deg, Prodigy, shell	D
1073707	Kit, cone, porous nozzle	
Flat Spray Nozzles		
1073706	Kit, nozzle, flat spray, dual slot, converging angle, 1 mm	E, G
1073726	• Kit, nozzle, dual converging slots, shell with electrode	C, G
1077385	Kit, nozzle, flat spray, Prodigy, 75 deg	A, G
1077395	• Nozzle, flat spray, Prodigy, 75 deg, shell with electrode	C, G
1077382	Kit, nozzle, flat spray, Prodigy, 90 deg	A, G
1077394	• Nozzle, flat spray, Prodigy, 90 deg, shell with electrode	C, G
1077388	Kit, nozzle, flat spray, Prodigy, 115 deg	A, G
1077396	• Nozzle, flat spray, Prodigy, 115 deg, shell with electrode	C, G
1077392	Kit, nozzle, flat spray, Prodigy, 140 deg	A, G
1077397	• Nozzle, flat spray, Prodigy, 140 deg, shell with electrode	C, G
1073911	Kit, nozzle, flat spray, Prodigy, 180 deg	A, G
1077393	• Nozzle, flat spray, Prodigy, 180 deg, shell with electrode	C, G
Cross Cut Nozzles		
1077584	Nozzle, assembly, cross, Prodigy, 4 slot, 60 deg	B
1077893	• Nozzle, cross, Prodigy, 4 slot, 60 deg, shell with electrode	C
1077585	Nozzle, assembly, cross, Prodigy, 4 slot, 90 deg	B
1077894	• Nozzle, cross, Prodigy, 4 slot, 90 deg, shell with electrode	C
1077586	Nozzle, assembly, cross, Prodigy, 6 slot, 60 deg	B
1077895	• Nozzle, cross, Prodigy, 6 slot, 60 deg, shell with electrode	C
Pinpoint Nozzles		
1077587	Nozzle, assembly, pinpoint, Prodigy, 10 hole	B, G
1077896	• Nozzle, pinpoint, Prodigy, 10 hole, shell with electrode	C
<p>NOTE A: These kits include spare nozzle shell with electrode.</p> <p>B: Complete nozzle assembly with shell.</p> <p>C: Nozzle shell with electrode only</p> <p>D: Nozzle shell only. Does not include internal components.</p> <p>E: One of each supplied with spray gun.</p> <p>F: This optional nozzle is not included with the gun. Use this nozzle with powders that are difficult to spray</p> <p>G: Not compatible with Prodigy PE Automatic Spray Gun.</p>		

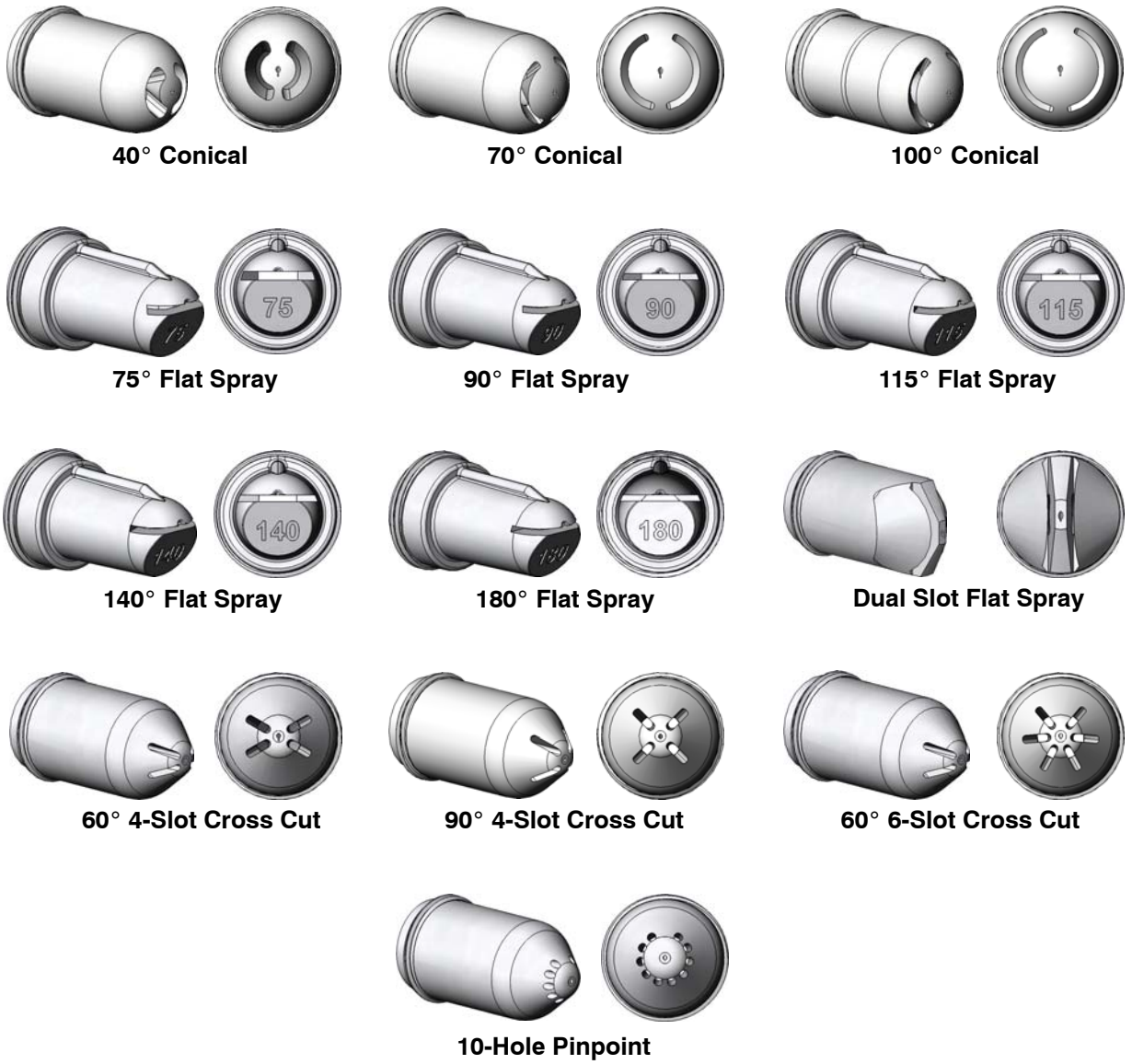


Figure 18-61 Prodigy Nozzles

Sure Coat[®] Systems

See *Sure Coat and Econo-Coat Nozzles* tab for available nozzles and nozzle kits.

Sure Coat Automatic Spray Guns	18-96
Tube-Mount Gun	18-96
Bar-Mount Gun	18-99
Cables and Kits	18-100

Sure Coat Automatic Spray Guns

Tube-Mount Gun

See Figure 18-62. For complete parts lists refer to manual 334627.

Item	Part	Description	Note
1	1005028	Nut, lock, nozzle	H
2	1010661	Nozzle, flat spray, 13-mm ID, 4 mm	C, H
2	1010662	Nozzle, flat spray, 13-mm ID, 2.5 mm	C, H
3	1010561	Holder, electrode, M4	H
4	1010562	Electrode, spring contact, 0.094-in. diameter	H
5	1093572	Kit, support, electrode, heavy duty	H
6	940163	• O-ring, silicone, 0.625 x 0.75 x 0.063 in.	
7	941162	• O-ring, silicone, 0.75 x 0.937 x 0.094 in.	
8	-----	• Contact, wire, electrode	
9	-----	• Support, electrode, gun	
10	341738	Housing, gun, with label, Sure Coat automatic	A
11	327706	Nut, Sure Coat multiplier, outlet	
12	1006352	Contact, multiplier, packaged	
13	288552	Multiplier, 95 kV, negative	
14	327986	O-ring, silicone, 2.063 x 2.25 x 0.094 in.	
15	327979	Gasket, multiplier	
16	-----	Bracket, sealing	
17	972398	Connector, round, male, M4 tubing x M5 thread	
18	940060	O-ring, Viton, 0.125 x 0.25 x 0.063 in.	
19	327981	Screw, cheese head, recessed, M4 x 25, black zinc	
20	1006319	Tube, tie-bar, 3 ft, packaged	B
21	940203	• O-ring, silicone, 0.875 x 1.00 x 0.063 in.	
20	1006350	Tube, tie-bar, 4 ft, packaged	B
21	940203	• O-ring, silicone, 0.875 x 1.00 x 0.063 in.	
20	1006351	Tube, tie-bar, 5 ft, packaged	B
21	940203	• O-ring, silicone, 0.875 x 1.00 x 0.063 in.	
20	1032229	Tube, tie-bar, 6 ft, packaged	B
21	940203	• O-ring, silicone, 0.875 x 1.00 x 0.063 in.	

NOTE A: The spray gun identification label on this part must be recreated when you replace this part. When ordering this part, call Nordson customer service and give the representative the part number and serial number for your spray gun.

B: Check the spray gun part number on the identification label and note the gun length given in *Spray Gun Assemblies* before ordering these parts.

C: Standard nozzles shipped with new spray guns. For optional nozzles refer to the *Nozzles* section.

H: Part is not included in Kit 1607023.

Item	Part	Description	Note
22	1009705	Tube, powder, 0.50-in. ID, 3 ft	B
22	1009704	Tube, powder, 0.50-in. ID, 4 ft	B
22	1009703	Tube, powder, 0.50-in. ID, 5 ft	B
22	1019831	Tube, powder, 0.50-in. ID, 6 ft	B
23	940156	O-ring, silicone, 0.563 x 0.688 x 0.063 in.	D
24	1020466	O-ring, PUR, 0.625 x 0.75 x 0.063 in., 70 duro	
25	1010723	Body, connector, hose	
26	1010724	Connector, hose, barb, 11 mm	D
26	1010726	Connector, hose, barb, 1/2 in.	D
27	1010725	Nut, connector, hose	D
28	1006316	Tube, mount, 3 ft	B
28	1006317	Tube, mount, 4 ft	B
28	1006318	Tube, mount, 5 ft	B
28	1032271	Tube, mount, 6 ft	B
29	1001798	Locator, tensioning, tube	
30	327719	Nut, tension, tube mount	
31	1003572	Hanger, hose, automatic gun	
31A	1601795	• Hanger, hose barb, automatic gun	I
32	340637	O-ring, PUR, 0.562 x 0.687 x 0.062 in.	
NS	247006	Clamp, hose, 0.673–0.795-in. OD	E
NS	939247	Clamp, hose, snap-it	F
NS	1001222	Cable, extension, Sure Coat automatic gun	
NS	900617	Tube, polyurethane, 4-mm OD, clear	
NS	1003964	Union, straight, 4 mm, plastic	
NS	301841	Strap, hook and loop tape, with buckle, 25 x 3 cm	
NS	1030482	Parts poster, Sure Coat automatic gun	G

NOTE B: Check the spray gun part number on the identification label before ordering these parts.

D: These parts are available in the hose connector kits. Refer to manual 334627 for complete parts list.

E: Use this hose clamp with 11-mm powder feed hoses.

F: Use this hose clamp with 1/2-in. powder feed hoses.

G: This is a laminated, 11 x 17-inch full-color photograph of the gun. This exploded view of the gun shows the part numbers next to the individual gun parts. The optional parts poster is not included with the gun.

I: Part number 1601795 comes with 2 sets of hose barbs and screws.

AR: As Required

NS: Not Shown

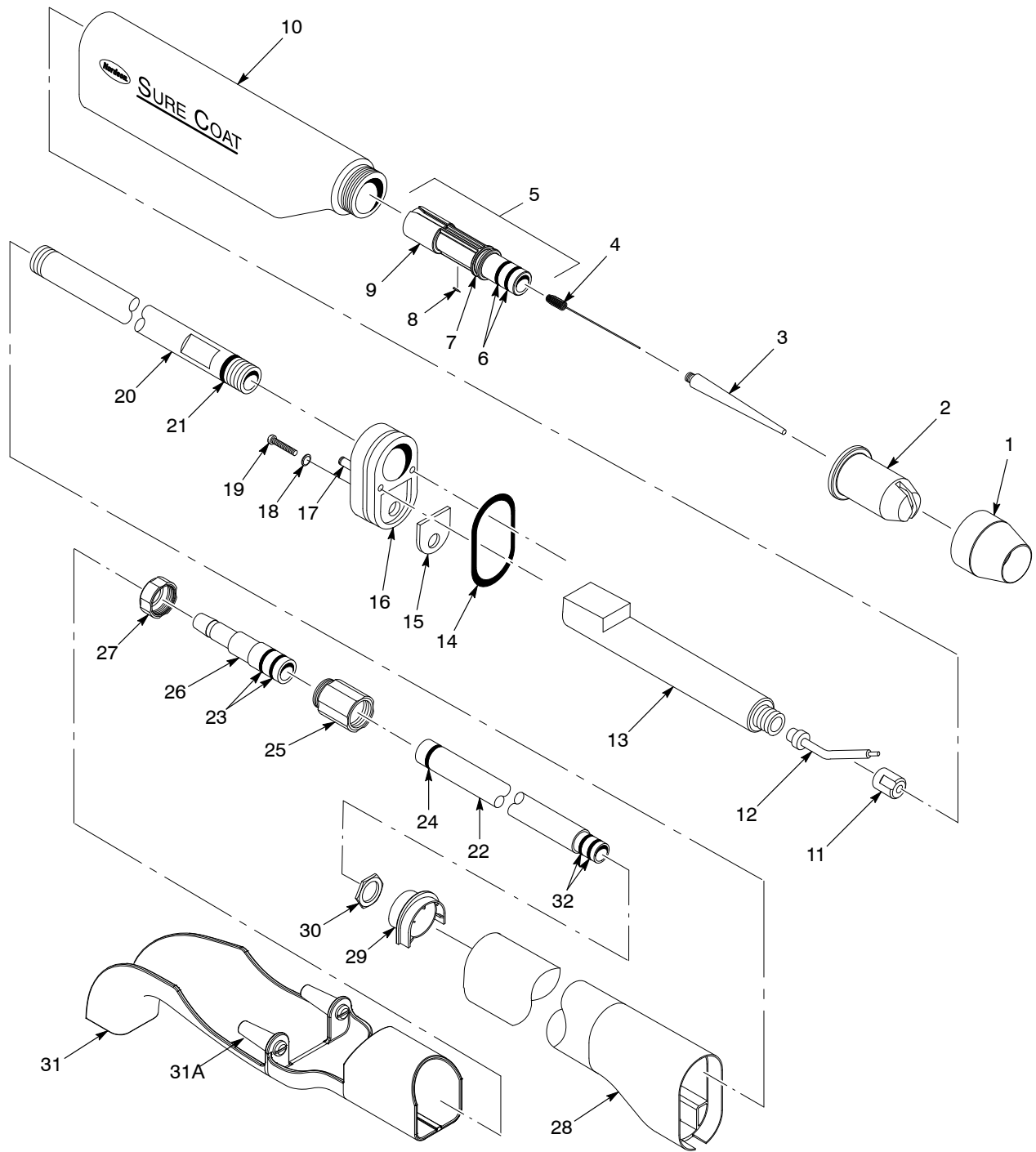


Figure 18-62 Sure Coat Tube-Mount Automatic Spray Gun

Bar-Mount Gun

See Figure 18-63. For a complete parts list refer to manual 334627.

Item	Part	Description	Note
1	1005028	Nut, lock, nozzle	F
2	1010661	Nozzle, flat spray, 13-mm ID, 4 mm	E, F
2	1010662	Nozzle, flat spray, 13-mm ID, 2.5 mm	E, F
3	1010561	Holder, electrode, M4	F
4	1010562	Electrode, spring contact, 0.94-in. diameter	F
5	1093572	Kit, support, electrode, heavy duty	F
6	940163	• O-ring, silicone, 0.625 x 0.75 x 0.063 in.	
7	941162	• O-ring, silicone, 0.75 x 0.937 x 0.094 in.	
8	-----	• Contact, wire, electrode	
9	-----	• Support, electrode, 13-mm ID	
10	341738	Housing, gun, with label, Sure Coat automatic	A
11	327706	Nut, Sure Coat, multiplier, outlet	
12	1006352	Contact, multiplier, packaged	
13	288552	Multiplier, 95 kV, negative polarity	
14	327986	O-ring, silicone, 2.063 x 2.25 x 0.094 in.	
15	327979	Gasket, multiplier	
16	-----	Bracket, mount, ball	
17	940060	O-ring, Viton, 0.125 x 0.25 x 0.063 in.	
18	327981	Screw, cheese head, recessed, M4 x 25	
19	327980	Screw, pan, recessed, M5 x 12, black zinc	
20	327969	Cap, end, automatic gun	
21	972398	Connector, round, male, M4 tubing x M5	
22	327721	Clamp, fixed	
23	982067	Screw, set, cup, M5 x 5, black	
24	327730	Clamp, pivot	
25	982501	Screw, socket, M8 x 40, black	
26	1009706	Tube, powder feed, 0.50-in. ID, bar mount	
27	940156	O-ring, silicone, 0.563 x 0.688 x 0.063 in.	B
28	1020466	O-ring, PUR, 0.625 x 0.75 x 0.063 in., 70 duro	
29	1016047	Body, connector, hose, bar mount	
30	940203	O-ring, silicone, 0.875 x 1.00 x 0.063 in.	

Continued...

Bar-Mount Gun (contd)

Item	Part	Description	Note
31	1010724	Connector, hose, barb, 11 mm	B
31	1010726	Connector, hose, barb, 1/2 in.	B
32	1010725	Nut, connector, hose	B
33	340637	O-ring, PUR, 0.562 x 0.687 x 0.062 in.	
NS	247006	Clamp, hose, 0.673–0.795-in. OD	C
NS	939247	Clamp, hose, snap-it	D
<p>NOTE A: The gun identification label on this part must be recreated when you replace this part. When ordering this part, call Nordson customer service and give the representative the part number and serial number for your spray gun.</p> <p>B: These parts are available in the hose connector kits. Refer to manual 334627 for complete parts list.</p> <p>C: Use this hose clamp with 11-mm powder feed hoses.</p> <p>D: Use this hose clamp with 1/2-in. powder feed hoses.</p> <p>E: Standard nozzles shipped with new spray guns. For optional nozzles refer to the <i>Nozzles</i> section.</p> <p>F: Part is not included in kit 1607024.</p> <p>NS: Not Shown</p>			

Cables and Kits

Part	Description	Note
Cables for the Sure Coat and iControl Controller		
327734	Cable, 8 meter	
327735	Cable, 12 meter	
327736	Cable, 16 meter	
1064012	Cable, 20 meter	
Kit for the Sure Coat Automatic Spray Guns		
1010753	O-ring kit	
Gun Body Service Kits		
1607023	Kit, repair, gun body, 5 ft	A
1607024	Kit, repair, gun body, bar	B
<p>NOTE A: See Tube Mount gun parts.</p> <p>B: See Bar mount gun parts.</p>		

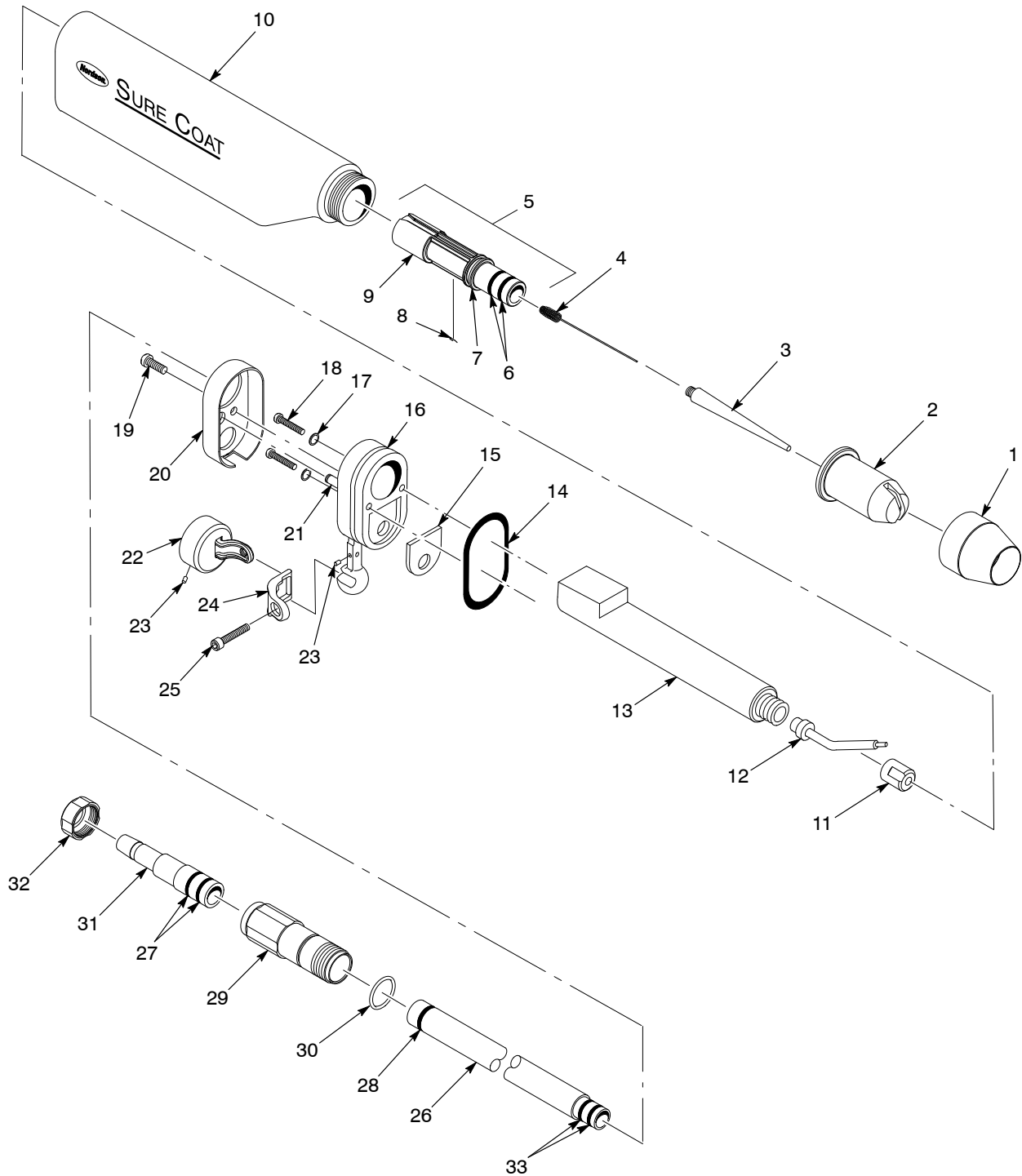


Figure 18-63 Sure Coat Bar-Mount Automatic Spray Gun

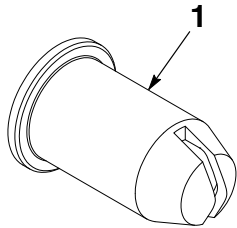
Sure Coat and Econo-Coat Nozzles

Sure Coat Automatic Gun Nozzles	18-104
--	---------------

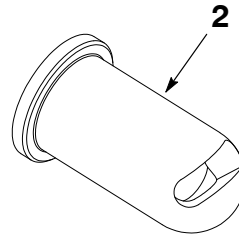
Sure Coat Automatic Gun Nozzles

Item	Part	Description	Note
1	1010661	4-mm slot flat spray nozzle	
1	1038359	3-mm slot flat spray nozzle	
1	1010662	2.5-mm slot flat spray nozzle	
2	1014077	45 degree flat/corner nozzle	
3	1016353	45 degree inline flat spray nozzle	
4	1012985	90 degree spray extension	A
5	1031738	50 degree conical nozzle	
6	1065059	9-mm open nozzle	

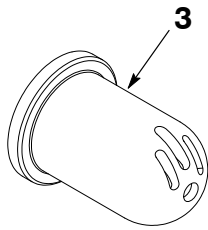
NOTE A: Use with 4-mm or 2.5-mm flat spray nozzle.



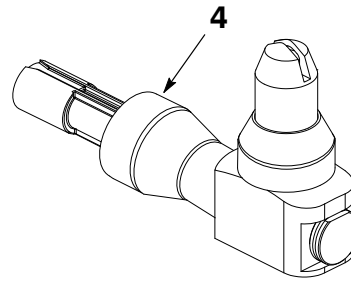
4-mm, 3-mm, and 2.5-mm
Slot Flat Spray Nozzle



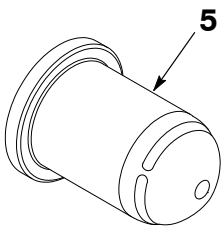
45 Degree Flat/Corner Nozzle



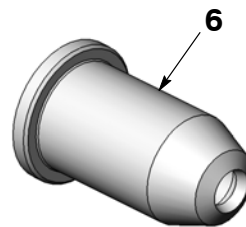
45 Degree In-Line Flat Spray Nozzle



90 Degree Spray Extension



50 Degree Conical Nozzle



9-mm Open Nozzle

Figure 18-64 Sure Coat Automatic Spray Gun Nozzles

Vantage® Systems

See *Vantage and Versa-Spray Nozzles* tab for available nozzles and nozzle kits.

Vantage Manual Spray Gun	18-106
Vantage Manual Spray Gun Service Kits	18-108
Powder Feed Hose	18-108
Vantage Manual Gun Options	18-109
Vantage PE Manual Spray Gun	18-110
Vantage Manual PE Spray Gun Service Kits	18-112
Powder Feed Hose	18-112
Vantage Dolly System – VBF Pick-Up Tube	18-113
Vantage Control Systems	18-114
Vantage Manual Spray Gun Control Unit External Parts ..	18-114
Vantage Manual Spray Gun Control Unit Internal Parts ...	18-116
Vantage Modular Gun Control System	18-118
Vantage Dual-Gun Controller	18-120

Vantage Manual Spray Gun

See Figure 18-65. For a complete parts list refer to manual 1070278.

Item	Part	Description	Note
—	-----	Gun, manual, Vantage, 6 meter	
1	125616	• Hanger, handgun, modular	
2	160103	• Service kit, handle	A
3	160104	• Service kit, trigger	A
4	132345	• Bracket, cable/tube	
5	982098	• Screw, fillet head, slotted	
6	-----	• Cable, manual gun, 6 mt	A
7	1070246	• Screw, pan head	
8	983113	• Washer, lock, e, split, 2	
9	983510	• Washer, flat, e	
10	132336	• Actuator, switch	
11	982327	• Screw, chez head, slotted	
12	1014038	• Kit, multiplier, with resistor probe	A
13	125613	• • Extension	
14	940243	• O-ring, silicone	
15	984165	• Nut, cable retainer	
16	125612	• Body, inlet, powder	
17	982455	• Screw, set	
18	134386	• Adapter, hose, w/O-ring	
19	940163	• • O-ring, silicone	
20	173138	• Defl, 19 mm, w/O-ring	
21	940084	• • O-ring, silicone.	
22	173139	• Nozzle, short, with O-ring	
23	941181	• • O-ring, silicone	
24	132348	• Sleeve, wear, conical	
25	141044	• Service kit, flat spray nozzle, 4 mm	
26	141045	• • Nozzle, flat spray, 4 mm, with O-ring	
27	941181	• • • O-ring, silicone	
28	134385	• • Sleeve, wear, flat spray, with O-ring	
NS	1083221	Cable, handgun, 6 meter extension	
NS	161411	Plug, shorting, IPS	

NOTE A: Refer to *Vantage Manual Gun Service Kits* in this section.

NS: Not Shown

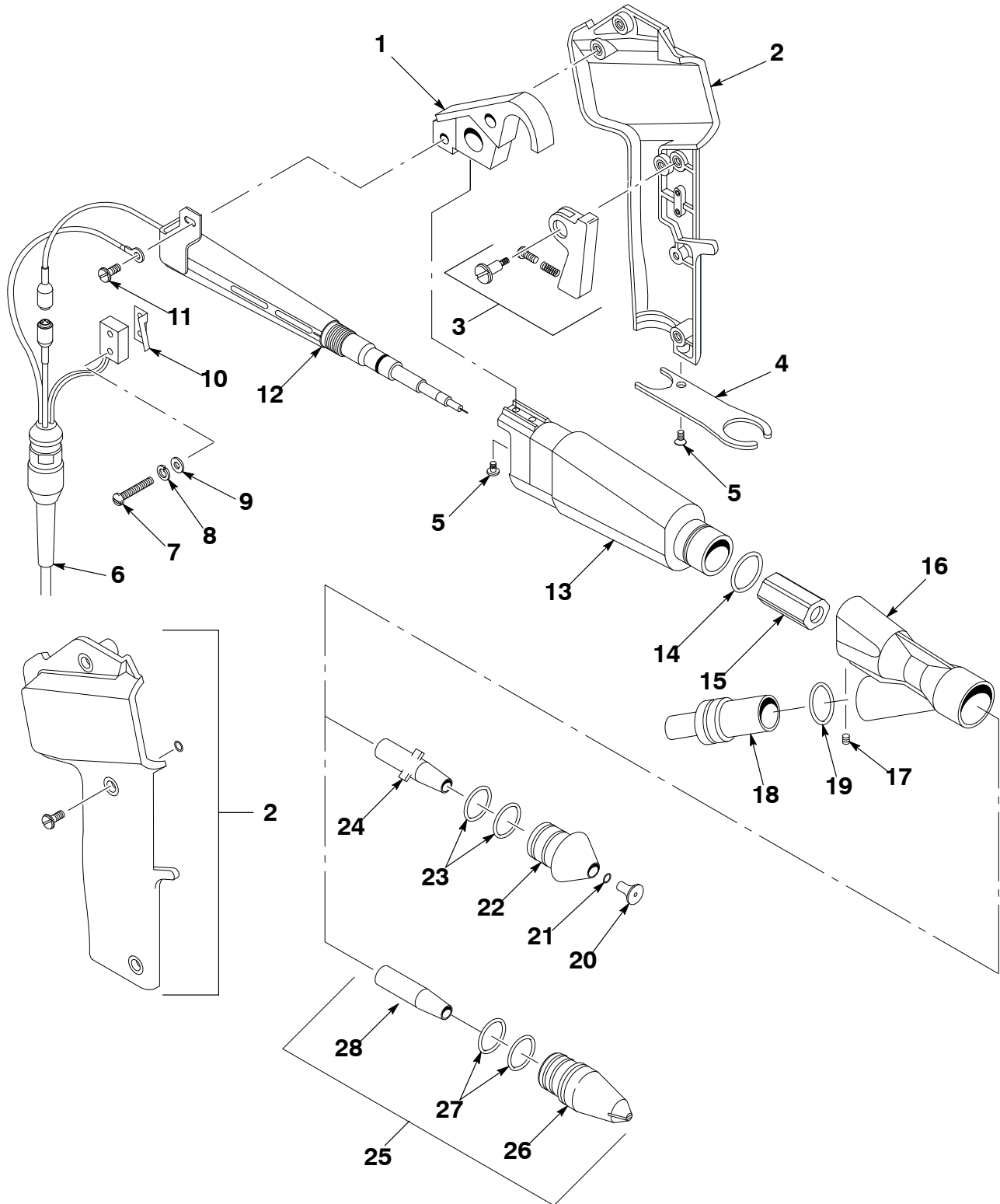


Figure 18-65 Vantage Manual Spray Gun Parts

Vantage Manual Spray Gun Service Kits

Part	Description	Note
1064928	Service kit, cable, 6 meter	
1014038	Service kit, negative multiplier, 80 kV, with resistor probe	A
1014039	Service kit, positive multiplier, 80 kV, with resistor probe	B
134376	Service kit, holder, resistor	
160103	Service kit, handle	C
160104	Service kit, trigger	
161411	Plug, shorting, IPS	
<p>NOTE A: Standard multiplier shipped with the spray gun.</p> <p>B: Optional multiplier used to give powder particles a positive charge. Contact your Nordson representative or powder supplier for more information.</p> <p>C: Customer must provide the spray gun part number and serial number when ordering.</p>		

Powder Feed Hose

These are bulk part numbers. Order in one foot increments.

Part	Description	Min Order Qty (ft)
900650	Powder hose, 12.7-mm (0.50 in.) ID, blue	25
900648	Powder hose, 11-mm (0.44 in.) ID, blue	25
900649	Powder hose, 9.5 mm (0.375 in.) ID, blue	25

Vantage Manual Gun Options

Part	Description	Note
Lance Extensions		
233469	150-mm lance extension	
233468	300-mm lance extension	
233455	450-mm lance extension	
Ion Collectors		
189492	Kit, handgun, ion collector	
189493	Kit, 150-mm lance, ion collector	
189494	Kit, 300-mm lance, ion collector	
Miscellaneous		
183468	Kit, cup gun	
1083221	Cable, handgun, 6 meter extension	

Vantage PE Manual Spray Gun

See Figure 18-66. For a complete parts list refer to manual 1075735.

Item	Part	Description	Note
—	1075733	Manual gun, porcelain enamel, 80 kV, 6 m, Vantage	
1	245523	• Deflector, 38 mm, with O-ring, ceramic	
2	945016	• • O-ring, silicone	
3	246823	• Deflector, barrel, with O-ring, ceramic	
4	945016	• • O-ring, silicone	
5	246578	• Insert, Pyrex	
6	940331	• O-ring, silicone	
7	942240	• O-ring, hot paint	
8	159427	• Adjuster, pattern, porcelain enamel	
9	245521	• Nozzle, powder gun, ceramic	
10	-----	• • Nozzle, gun, powder, ceramic	
11	942161	• • O-ring, silicone	
12	153988	• Body, inlet, porcelain enamel, Vantage	
13	982455	• Screw, set	
14	245434	• Connector, inlet, powder, ceramic	
15	101128	• Sleeve, ceramic	
16	984165	• Nut, cable retainer	
17	940243	• O-ring, silicone	
18	125613	• Extension	A
19	982098	• Screw, flat head	
20	132345	• Bracket, cable/tube, retaining	
21	160104	• Trigger service kit	B
22	125616	• Hanger, hand gun, mod	
23	1014050	• Multiplier service kit, porcelain enamel, 80 kV, negative, with probe	A, B
24	982327	• Screw, chez head, slotted	
25	-----	• Cable service kit	B
26	160103	• Handle service kit	B
NS	161411	Plug, shorting, IPS	
NOTE A: The extension is included in multiplier service kit 1014050.			
B: Refer to <i>Vantage Manual PE Spray Gun Service Kits</i> in this section.			
NS: Not Shown			

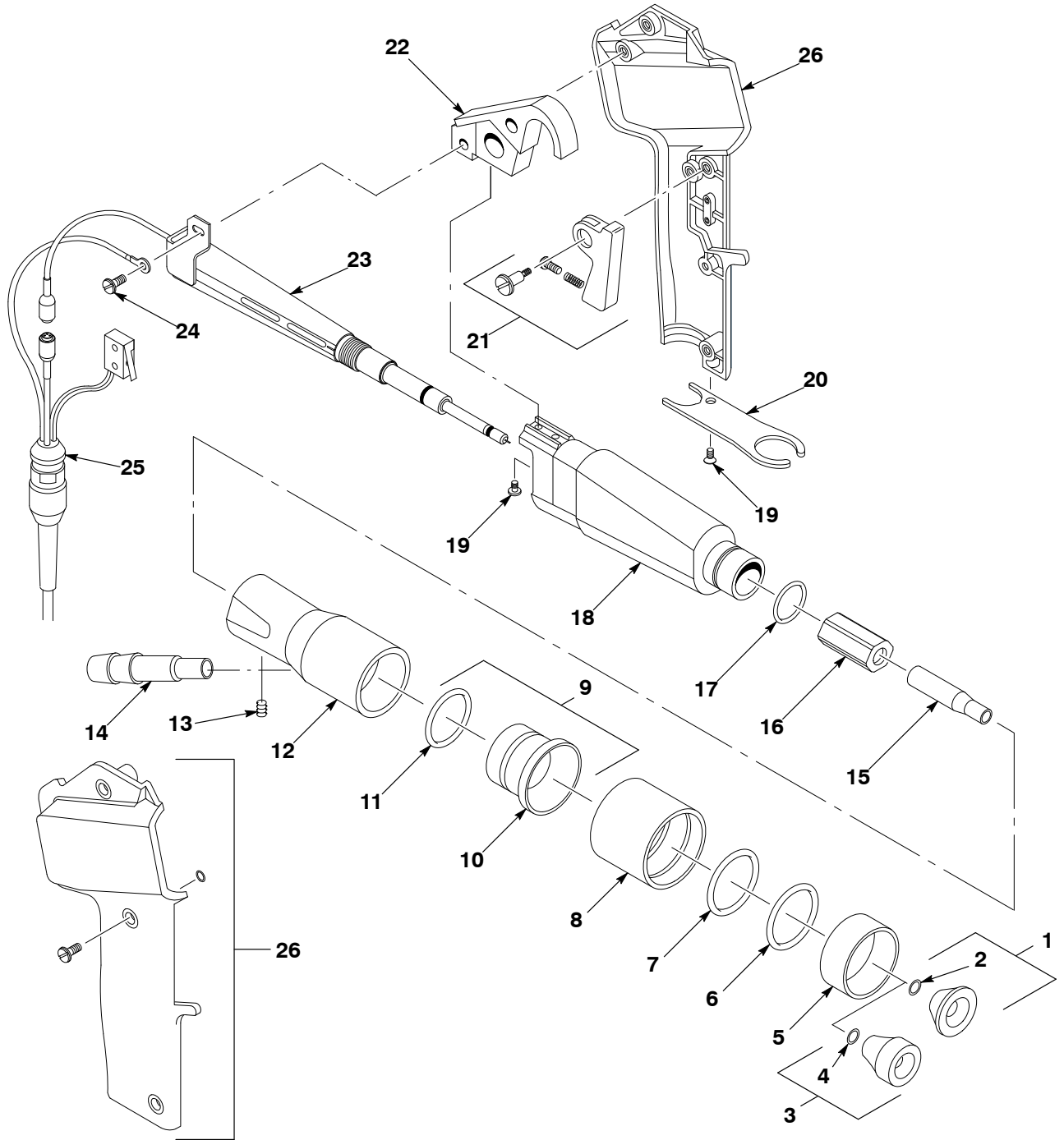


Figure 18-66 Vantage Manual Porcelain Enamel Powder Spray Gun Assembly

Vantage Manual PE Spray Gun Service Kits

Part	Description	Note
1064928	Service kit, cable, 6 meter	
1014050	Service kit, porcelain enamel, negative multiplier, 80 kV, with resistor probe	
154963	Service kit, holder, resistor, porcelain enamel	
160103	Service kit, handle	A
160104	Service kit, trigger	
161411	Plug, shorting, IPS	
NOTE A: Customer must provide the spray gun part number and serial number when ordering.		

Powder Feed Hose

This is a bulk part number. Order in one-foot increments.

Part	Description	Min Order Qty (ft)
900724	Powder hose, 0.50 in. ID, clear	25

Vantage Dolly System – VBF Pick-Up Tube

For a complete parts list, refer to manual 1073932.

Part	Description	Note
1072317	Kit, one-piece fluidized pick-up tube VBF	
1086131	Bracket, adapter, VBF, dual pick-up tube	

Vantage Control Systems

Vantage Manual Spray Gun Control Unit External Parts

See Figure 18-67. For complete parts lists refer to manual 1066850.

Item	Part	Description	Note
—	1067925	Controller, manual, Vantage, 115 V with vibratory motor control	
—	1067929	Controller, manual, Vantage, 220 V with vibratory motor control	
—	1067964	Controller, manual, Vantage	
1	1017673	• Needle valve	
NS	-----	• Plug, 10-mm tubing	A
2	1005067	• Union, female, bulkhead	
3	941131	• O-ring, silicone	
4	1005068	• Connector, bulkhead	
5	131477	• Fuse, 2.00	
6	288804	• Fuse holder	
7	984192	• Nut, lock	B
8	972808	• Connector, strain relief	B
9	1027067	• Cord, power, 15 ft (4.6 m)	
10	939122	• Seal, conduit fitting	C
11	984526	• Nut, lock, 1/2-in. conduit	C
12	334800	• Plug, 1/2-in. pipe, hex	C, D
13	-----	• Plug, pipe, socket	E
14	972282	• Connector, male	
15	240674	• Tag, ground	
16	134575	• Wire, ground	
17	322404	• Switch rocker, DPST	
18	288821	• Regulator assembly	
19	1068458	• Label, controller keypad	
20	1005671	• Gasket, cover, controller cabinet	

NOTE A: This plug is installed in the needle valve (item 1) outlet when the control unit does not need to regulate fluidizing air.

B: Use these parts with the vibratory motor control versions of the control unit 1067925 and 1067929.

C: Use these parts for the standard control unit 1067964.

D: This plug is installed on control units that do not have vibratory motor control.

E: If you use this control unit with a Sure Coat manual powder spray gun, order 4-mm fitting 288822 to use in place of this pipe plug. Contact your Nordson representative for more information about using a Sure Coat gun with the Vantage control unit.

NS: Not Shown

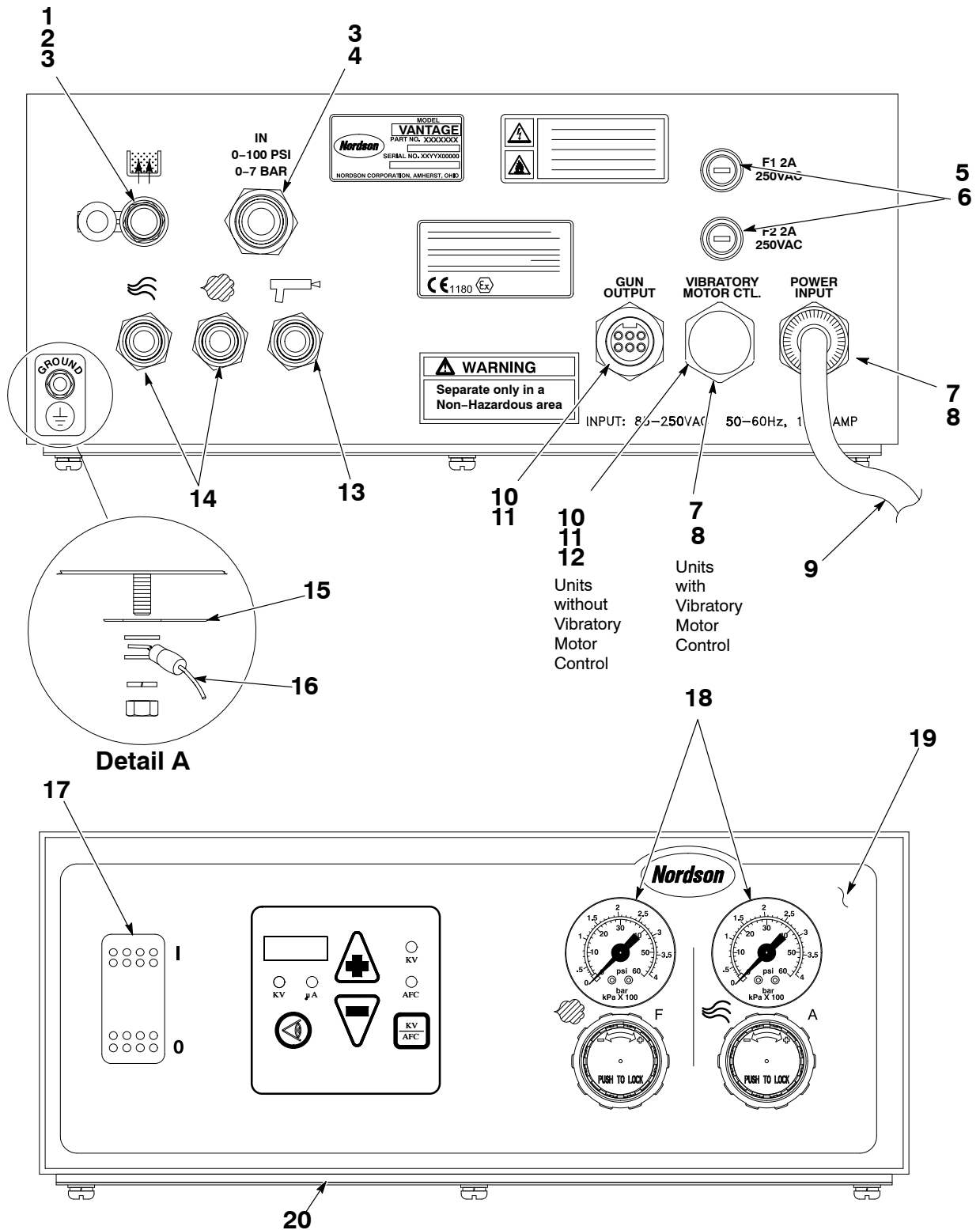


Figure 18-67 Vantage Manual Spray Gun Control Unit External Parts

Note: The ground assembly shown in Detail A is also on the inside of the control unit cabinet cover.

Vantage Manual Spray Gun Control Unit Internal Parts

See Figure 18-68. For complete parts lists refer to manual 1066850.

Item	Part	Description	Note
21	-----	• Filter, line, with butt-splice	
22	288803	• Power supply, 24, 5, 12 Vdc	
23	-----	• Harness, power	
24	130630	• Jumper, ground, cabinet	
25	-----	• Harness, power, power supply to PCB	
26	1068603	• Printed circuit board	
27	141603	• Seal, panel, regulator	
28	900742	• Tubing, poly, 6-mm	
29	900619	• Tubing, poly, 8-mm OD,	
30	1045839	• Valve, check	
31	971100	• Connector, male	
32	972931	• Tee, male run	
33	1016211	• Solenoid valve, 3 way	
34	972276	• Elbow, male	
35	-----	• Plug, pipe	
36	-----	• Fitting, double branch	
37	933469	• Lug, 90, double	
38	163443	• Jumper, ground	
39	1068173	• Relay, two-pole	F
40	-----	• Capacitor, film	G
41	1067022	• Harness, Vantage, PCB to motor relay	F
NS	939110	• Strap, cable, 0.875-in. dia	
NS	1023687	Kit, railmount bracket	I
NS	1021035	Kit, wallmount bracket	J
NS	-----	Kit, plug seal, w/ 1/2 in. conduit nut	H
<p>F: Use only with control units with vibratory motor control.</p> <p>G: Use only with the 115Vac Vantage control unit with vibratory motor control.</p> <p>H: Use this kit with the 115V and 220V control units with vibratory motor control to maintain a dust-tight enclosure if you are not using the vibratory motor control option.</p> <p>I: Use this bracket to mount the control unit to the spray booth operator platform railing.</p> <p>J: Use this bracket to mount the control unit to the spray booth wall.</p> <p>NS: Not Shown</p>			

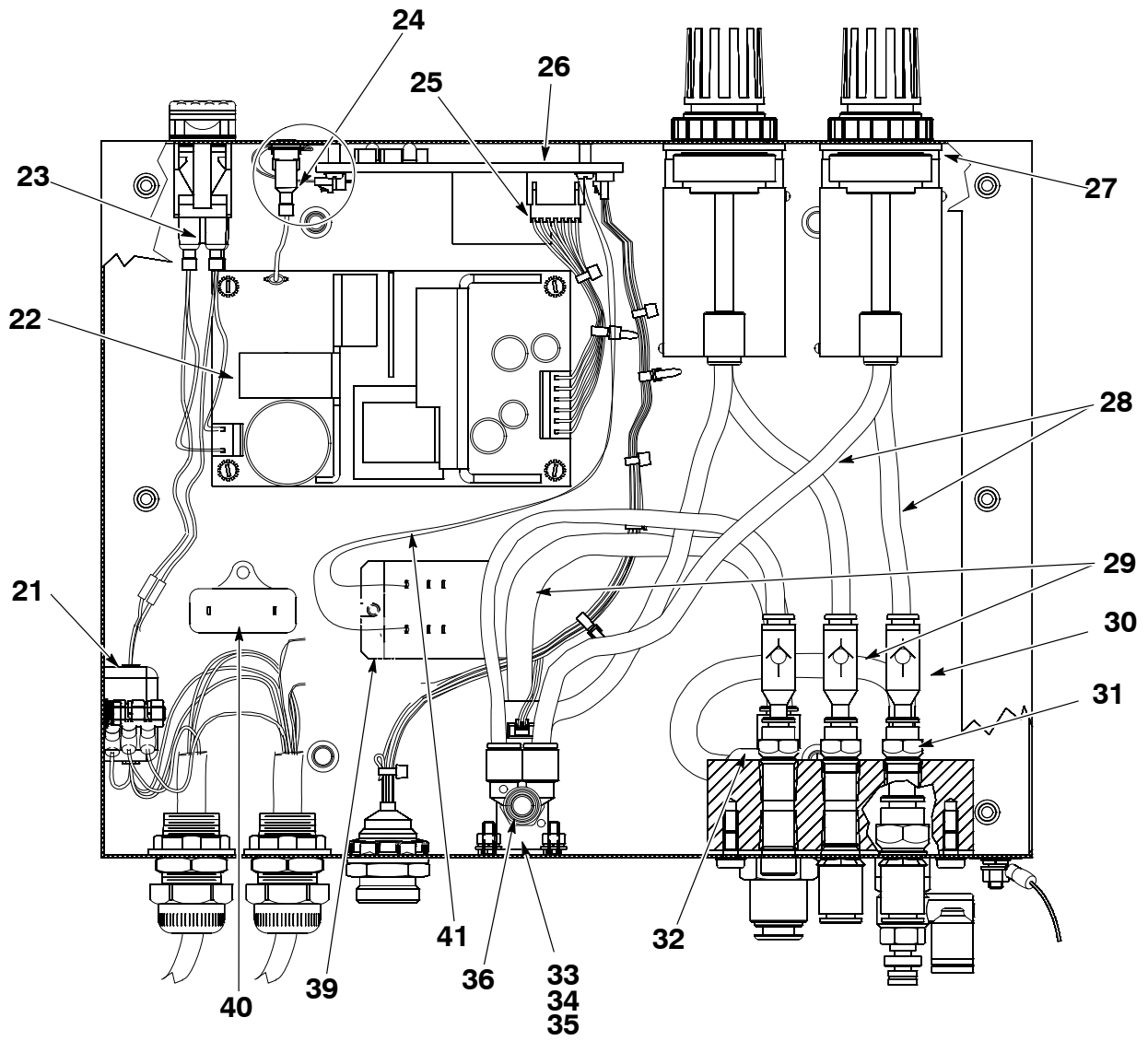


Figure 18-68 Vantage Manual Spray Gun Control Unit Internal Parts

Vantage Modular Gun Control System

See Figure 18-69. For a complete part lists refer to manual 1046736.

Item	Part	Description	Note
1	1050185	Control relay, 120 Vac, open, fixed, spot	
2	322404	Switch, rocker, DPST, dust-tight	
3	1000594	Switch, keylock, 3-position	
4	334805	Filter, line, RFI, power 10a	
5	1023877	PCA, dual gun driver	
6	1043857	Air gage, 0–100 psi, 0–7 bar, kpa, 1 1/2 in.	
7	1045838	Gasket, gage, dia. 0.41 mm	
8	1100310	Regulator, 7–125 psi	
9	141603	Seal, panel, regulator	
10	1042142	PCA, Vantage interface	
11	1043906	Power supply, 24, 5, 12 Vdc	
NS	1047751	Kit, keypad w/front panel	
NS	1043723	Versa-Spray cable, 12 m	
NS	1054175	Versa-Spray cable, 16 m	
NS	1048653	Sure Coat cable, 12 m	
NS	1054176	Sure Coat cable, 16 m	
NS	1054613	Adapter, Tribomatic	
NS	1054615	Connector, Versa-Spray adapter	A
NS	1043902	Controller upgrade kit, 2 gun	
NOTE A: Use this connector with older style Versa-Spray II cables.			

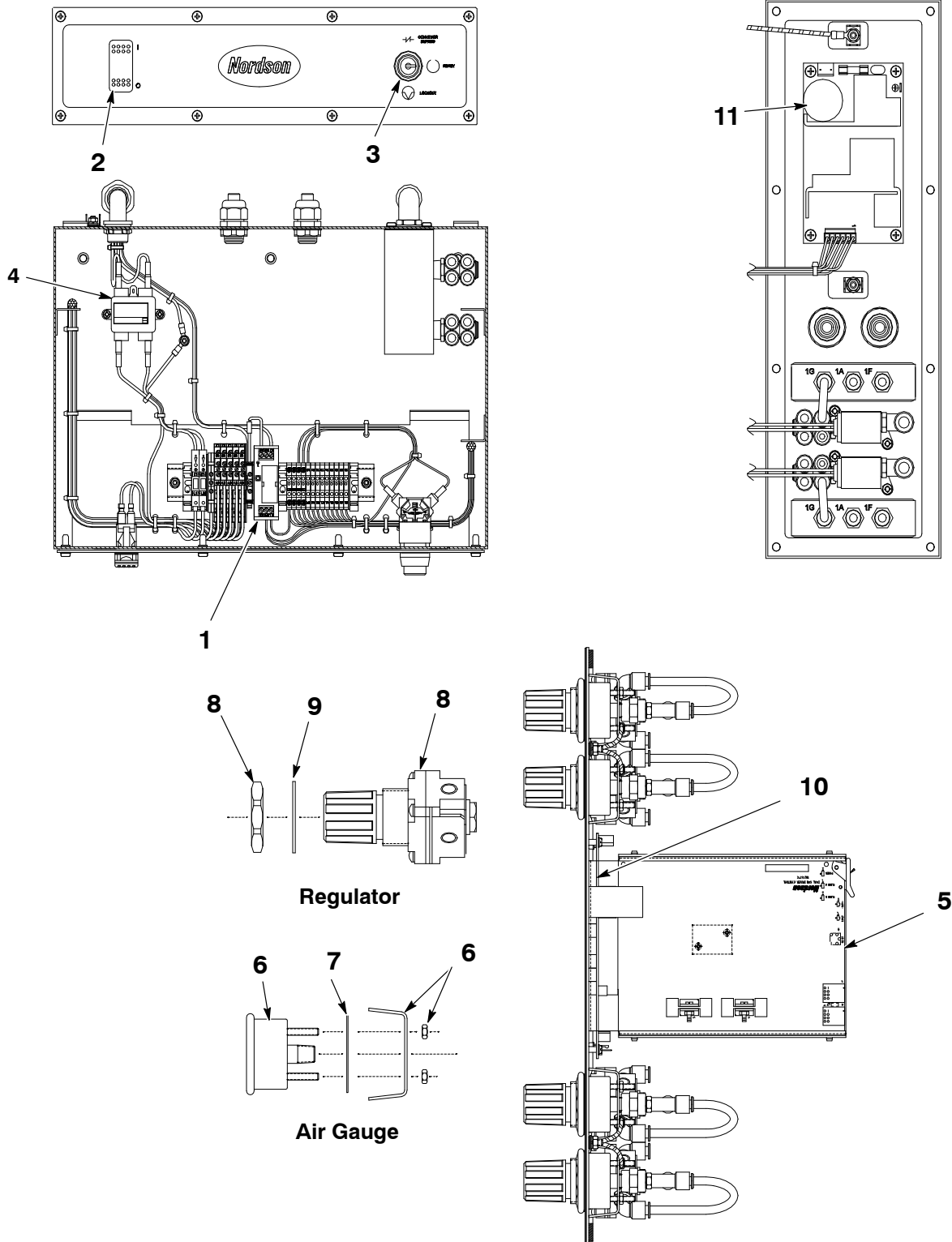


Figure 18-69 Vantage Modular Gun Control System Parts

Vantage Dual-Gun Controller

See Figure 18-70. For a complete parts list refer to manual 1046736.

Item	Part	Description	Note
1	1043718	Filter, line, w/connector	
2	322404	Switch, rocker, DPST, dust-tight	
3	1009090	Fuse, time delay, 215 series, 3.15 a	
4	1023877	PCA, dual gun driver	
5	1043857	Air gage, 0–100 psi, 0–7 bar, kpa, 1 1/2 in.	
6	1045838	Gasket, gage, dia. 0.41 mm	
7	1100310	Regulator, 7–125 psi	
8	141603	Seal, panel, regulator	
9	1042142	PCA, Vantage interface	
10	1042060	Gasket, manifold, pneumatic output	
11	1043906	Power supply, 24, 5, 12 Vdc	
12	1043872	Valve 3 port, direct active, 24 volt, 1/8-in. RPT w/conn.	
NS	1043723	Versa-Spray cable, 12 m	
NS	1054175	Versa-Spray cable, 16 m	
NS	1048653	Sure Coat cable, 12 m	
NS	1054176	Sure Coat cable, 16 m	
NS	1054613	Adapter, Tribomatic	
NS	1054615	Connector, Versa-Spray adapter	A
NOTE A: Use this connector with older style Versa-Spray II cables.			
NS: Not Shown			

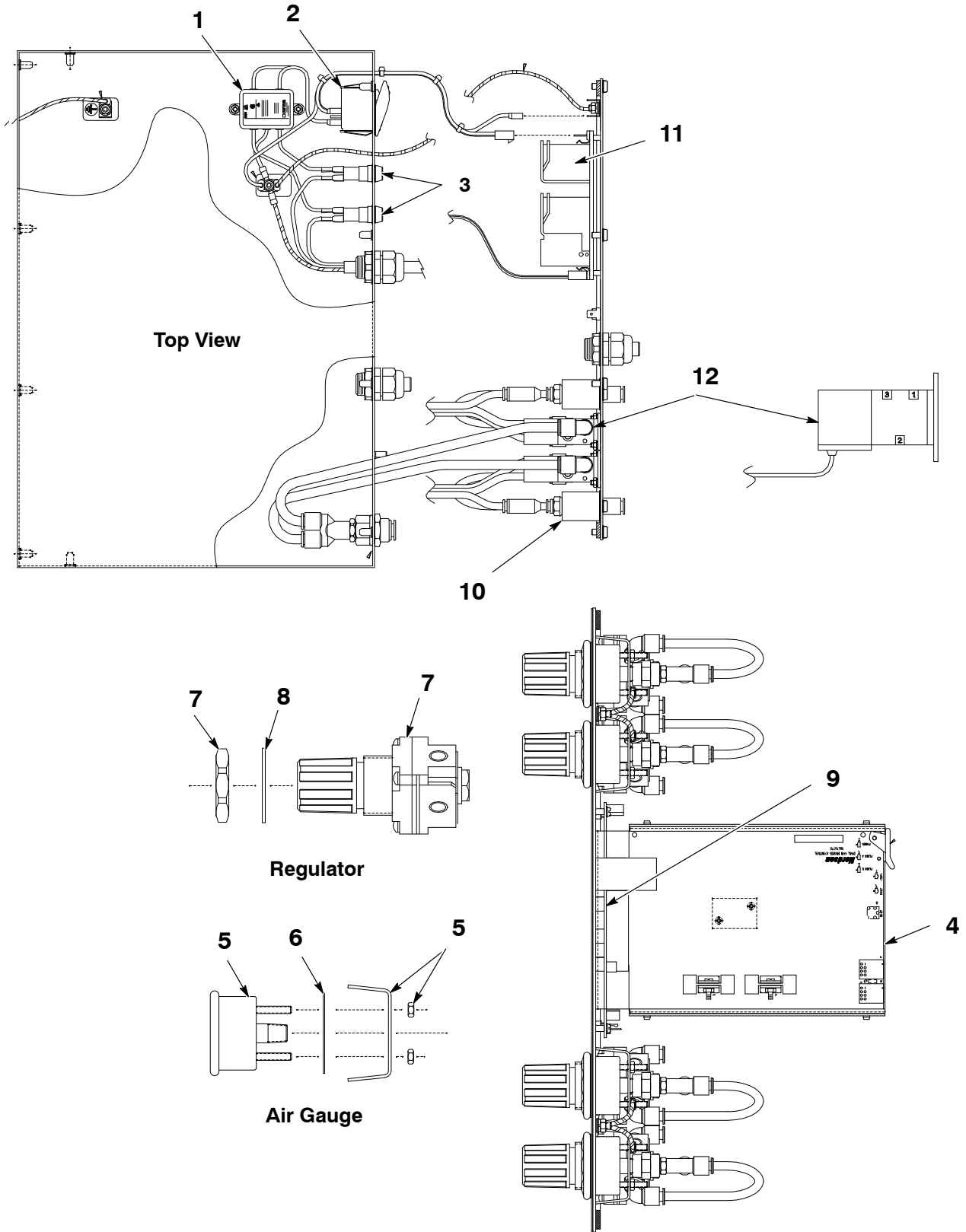


Figure 18-70 Vantage Dual-Gun Control System Parts

Versa-Spray II IPS Automatic Spray Systems

See *Vantage and Versa-Spray Nozzles* tab for available nozzles and nozzle kits.

Versa-Spray II IPS Automatic Spray Gun	18-124
Versa-Spray II Automatic Guns Mounting and Ion Collector Kits	18-126
Versa-Spray II Automatic Guns Diffuser and Air Wash Extension Kits	18-126
Versa-Spray II Automatic Gun Diffuser and Air-Wash Extension Kits	18-127
Versa-Spray II IPS Manual Spray Gun	18-130
Versa-Spray II IPS Manual Gun Air-Wash Extension Kit ..	18-132
Versa-Spray II Manual Gun Lightweight Lance Extensions	18-134
Cup Gun Kit for Versa-Spray II Manual Guns	18-136
Purge Adapter Kits for Versa-Spray II Guns	18-137
Versa-Spray II Control Modules	18-137
2-Gauge Automatic Control Module	18-137
3-Gauge Manual Control Module	18-137

Versa-Spray II IPS Automatic Spray Gun

See Figure 18-71. For complete parts lists refer to manual 107016.

Item	Part	Description	Note
1	134385	Wear sleeve w/O-ring	
2	125612	Inlet body	
3	134386	Hose adapter w/O-ring	
4	940163	• O-ring	
5	140562	Hose support bracket	
6	133409	Shur-Lok gun mt	
7	981708	• Screws	
8	146009	Multiplier service kit, negative	
8	146008	Multiplier service kit, positive	
9	134376	• Resistor kit	
10	132748	• • Contact	
11	940117	• • O-ring	
12	940243	• O-ring	
Cables for Connection to the Versa-Spray Control Units			
—	142108	Cable, 8 meter	
—	168448	Cable, 12 meter	
—	142109	Cable, 16 meter	
Adapter for Connection to iControl Consoles			
—	334783	Adapter for standard gun cables	
—	341622	Adapter for porcelain enamel gun cables	
Cables for Connection to the Vantage Dual Control Unit			
—	1043723	Cable, 12 meter	
—	1054175	Cable, 16 meter	

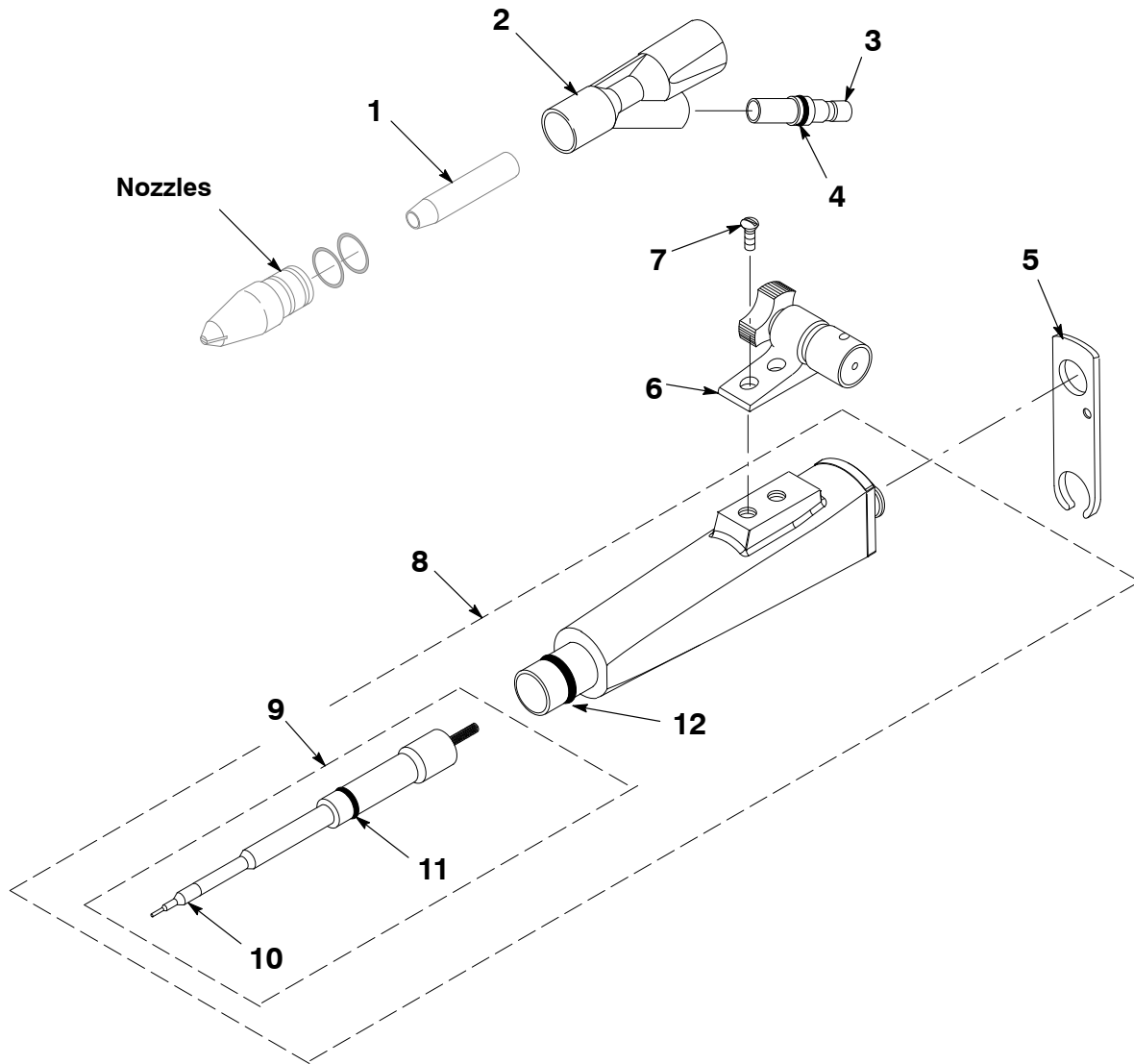


Figure 18-71 Versa-Spray II IPS Automatic Powder Spray Guns

Versa-Spray II Automatic Guns Mounting and Ion Collector Kits

See Figure 18-72.

Item	Part	Description	Note
1	183539	In-line ball mount kit	
2	189495	In-line ball mount and ion collector kit	
3	189490	Ion collector kit for in-line ball mounts	
4	189491	Ion collector kit for Shur-Lok gun mount	

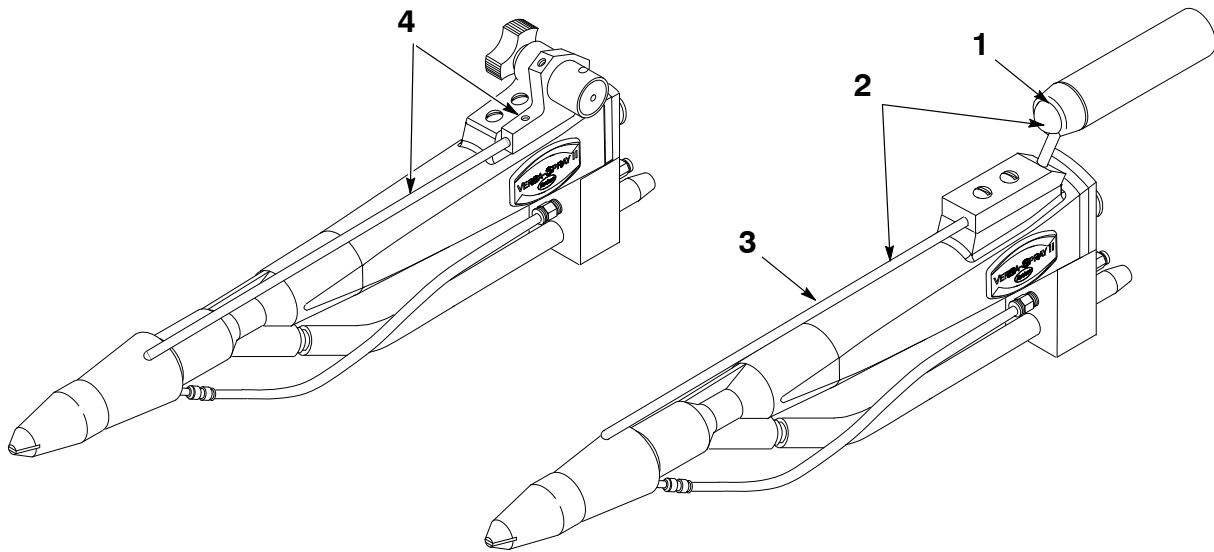


Figure 18-72 Mounting and Ion Collector Kits for Versa-Spray II IPS Automatic Powder Spray Guns

Versa-Spray II Automatic Guns Diffuser and Air Wash Extension Kits

The diffuser kit injects additional air into the powder flow just before it enters the spray gun. The extension kit allows you to add the electrode air wash option to the standard gun.

The Versa-Spray II control unit has an additional output fitting for use with these options. If you have a Versa-Spray control unit, you must use the manifold listed below to provide air to the diffuser and extension.

Part	Description	Note
Guns Used with Versa-Spray II Control Units		
183536	Kit, Versa-Spray II diffuser and extension	
183538	Kit, Versa-Spray II diffuser with hardware	
183537	Kit, Versa-Spray II extension, automatic gun	
Guns Used with Versa-Spray Control Units		
183537	Kit, Versa-Spray II extension, automatic gun	

Versa-Spray II Automatic Gun Diffuser and Air-Wash Extension Kits

See Figure 18-73.

Item	Part	Description	Note	Min Order Qty (ft)
—	183536	Kit, Versa-Spray II diffuser and extension		
1	972243	• Orifice		
2	972141	• Connector, male		
3	-----	• Diffuser		
5	900742	• Tubing, polyurethane, 6-mm OD, blue	A	50
6	183537	• Kit, extension, nozzle		
Item	Part	Description	Note	Min Order Qty (ft)
4	900650	• Tubing, powder, 12.7-mm (0.500-in.) ID, blue	A	25

NOTE A: Tubing from the gun to the pump and control unit must be ordered separately.

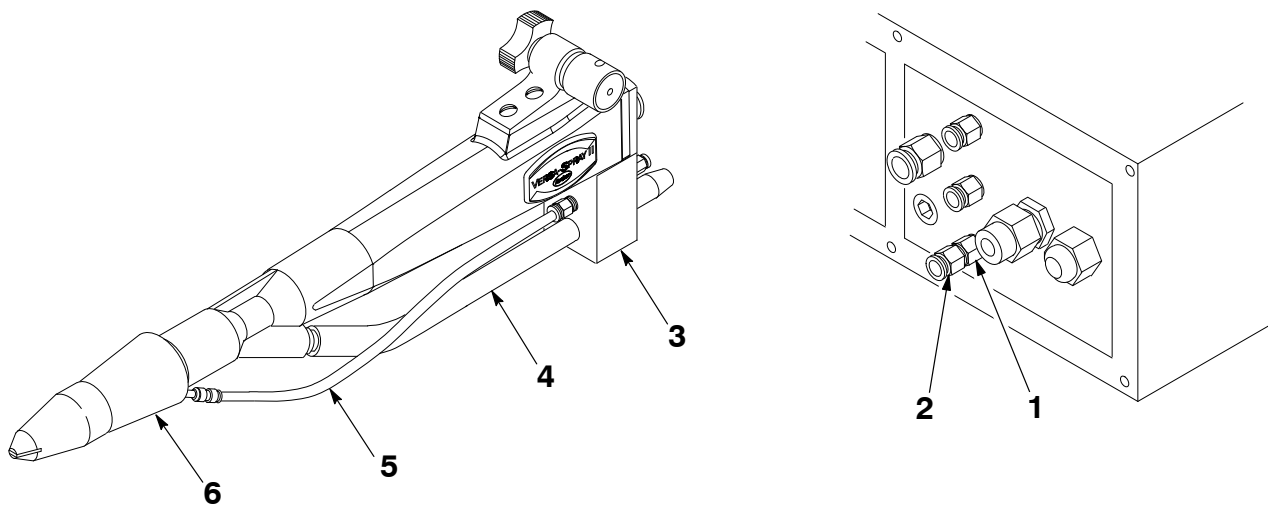


Figure 18-73 Diffuser and Air Wash Extension Kits for Versa-Spray II Automatic Powder Spray Guns

Versa-Spray II Automatic Gun Air-Wash Extension Kit

See Figure 18-74.

Item	Part	Description	Note
—	183334	Kit, extension nozzle, Versa-Spray II	
1	183645	• Service kit, resistor w/holder	
2	182255	• Kit, spider, w/O-ring	
3	940093	• • O-ring, silicone	
4	173179	• Sleeve, wear	
5	182254	• Kit, adapter, nozzle /O-ring	
6	941181	• • O-ring, silicone	
7	173177	• Fitting	
8	971790	• Union, straight, 6 mm	

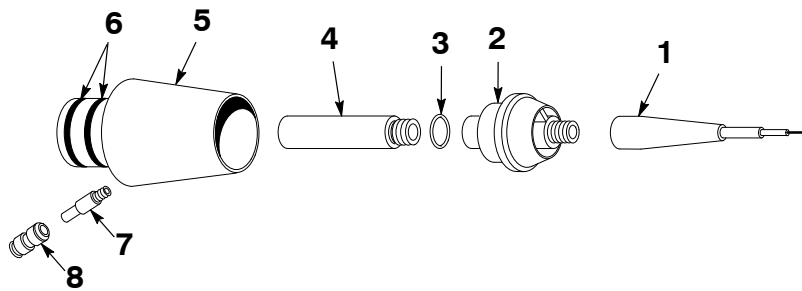


Figure 18-74 Air Wash Extension Kits for Versa-Spray II Automatic Powder Spray Guns

Versa-Spray II Automatic Gun Diffuser Replacement Parts

See Figure 18-75.

Item	Part	Description	Note
1	169661	Kit, connector	
2	940163	• O-ring, silicone, 0.625 x 0.075 x 0.063 in.	
3	940182	• O-ring, silicone, 0.750 x 0.875 x 0.062 in.	

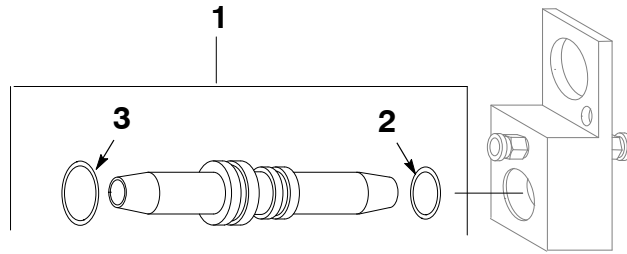


Figure 18-75 Diffuser Parts for Versa-Spray II Diffuser Kits

Versa-Spray II IPS Manual Spray Gun

See Figure 18-76.

Item	Part	Description	Note
1	160103	Handle replacement kit	
2	160104	Trigger service kit	
3	125613	Extension (barrel)	
4	940243	O-ring	
5	125612	Powder inlet body	
6	134386	Hose, adapter, w/O-ring	
7	940163	• O-ring	
8	134376	Resistor kit	
9	132748	• Contact	
10	940117	• O-ring	
11	133716	Cable, 4 meter	
12	133715	Cable, 8 meter	
12	163408	Cable, 12 meter	
12	132336	Actuator	
13	1014038	Multiplier with probe kit, negative	
13	1014039	Multiplier with probe kit, positive	

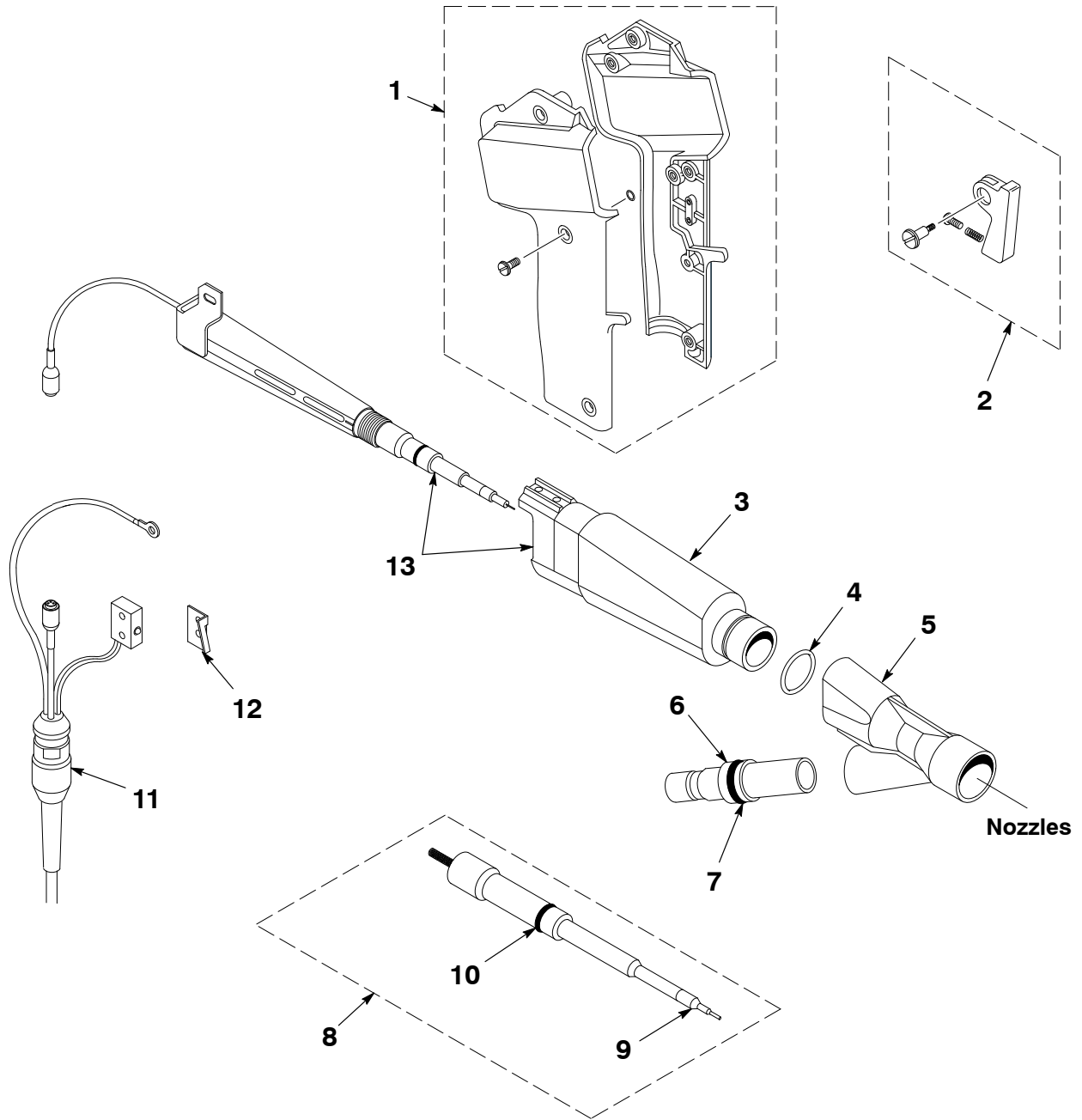


Figure 18-76 Versa-Spray II Manual Spray Gun

Versa-Spray II IPS Manual Gun Air-Wash Extension Kit

See Figure 18-77.

Item	Part	Description	Note
—	183328	Kit, air-wash extension	
1	972244	• Orifice	
2	972141	• Connector, male	
	183334	• Kit, air-wash extension	
3	183645	• • Service kit, resistor, with holder	
4	182255	• • Kit, spider, w/O-ring,	
5	940093	• • • O-ring, silicone	
6	173179	• • Sleeve, wear	
7	182254	• • Kit, adapter, nozzle, w/O-ring	
8	941181	• • • O-ring, silicone	
9	173177	• • Fitting, M6, straight	
10	971790	• • Union, straight, 6 mm, plastic	

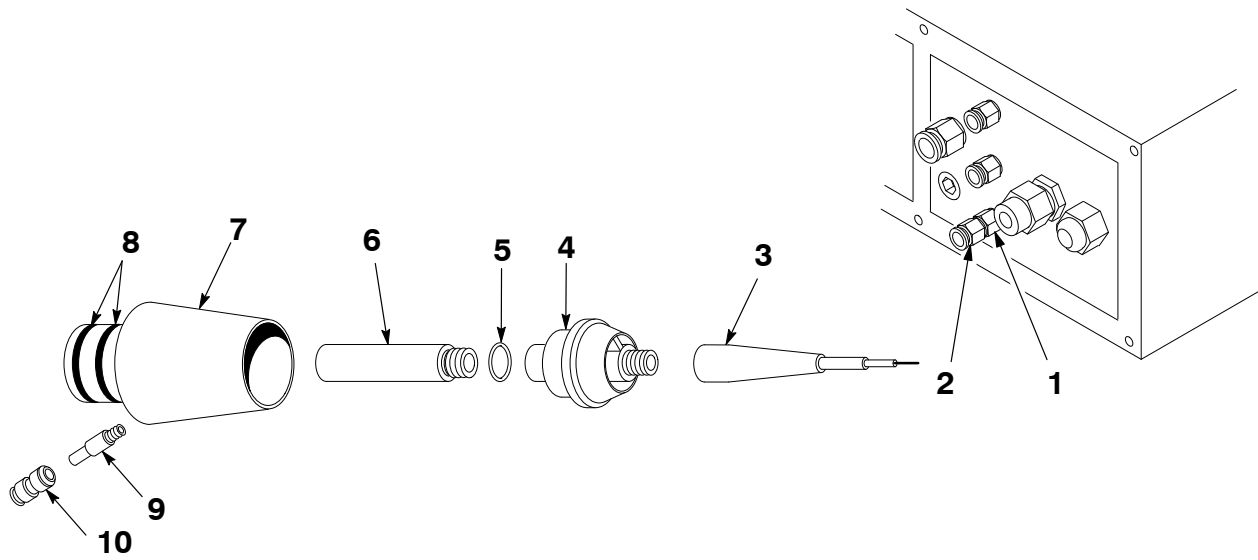


Figure 18-77 Air Wash Extension Kit for Versa-Spray II Manual Guns

Versa-Spray II Manual Gun Lightweight Lance Extensions

See Figure 18-78. For a complete parts list refer to manual 237389.

Item	Part	Description	Note
—	233469	Lightweight lance extension, 150 mm	
—	233468	Lightweight lance extension, 300 mm	
—	233455	Lightweight lance extension, 450 mm	
1	233467	• Tube, 150 mm	
1	233466	• Tube, 300 mm	
1	233454	• Tube, 450 mm	
2	941181	• • O-ring, silicone	
3	160066	• Electrode assembly, lance, 150 mm	
3	160068	• Electrode assembly, lance, 300 mm	
3	233451	• Electrode assembly, lance, 450 mm	
4	170277	• • Service kit, lance resistor and electrode support	
5	160020	• • Sleeving, contact	
6	160021	• • Link, adapter	A
7	233462	• Support, cable well	
8	233461	• Adapter, nozzle, w/O-rings	
9	940203	• • O-ring, silicone	
10	233459	• Adjuster, pattern, w/O-ring	
11	941193	• • O-ring, silicone	
12	173138	• Deflector, 19 mm, flat, Tivar, w/O-ring	
13	940084	• • O-ring, silicone	
14	233456	• Adapter, nozzle, flat spray, w/O-rings	
15	940203	• • O-ring, silicone	
NOTE A: Not needed for 150-mm lance extension. Use quantity of one for 300-mm lance extension. Use quantity of two for 450-mm lance extension.			

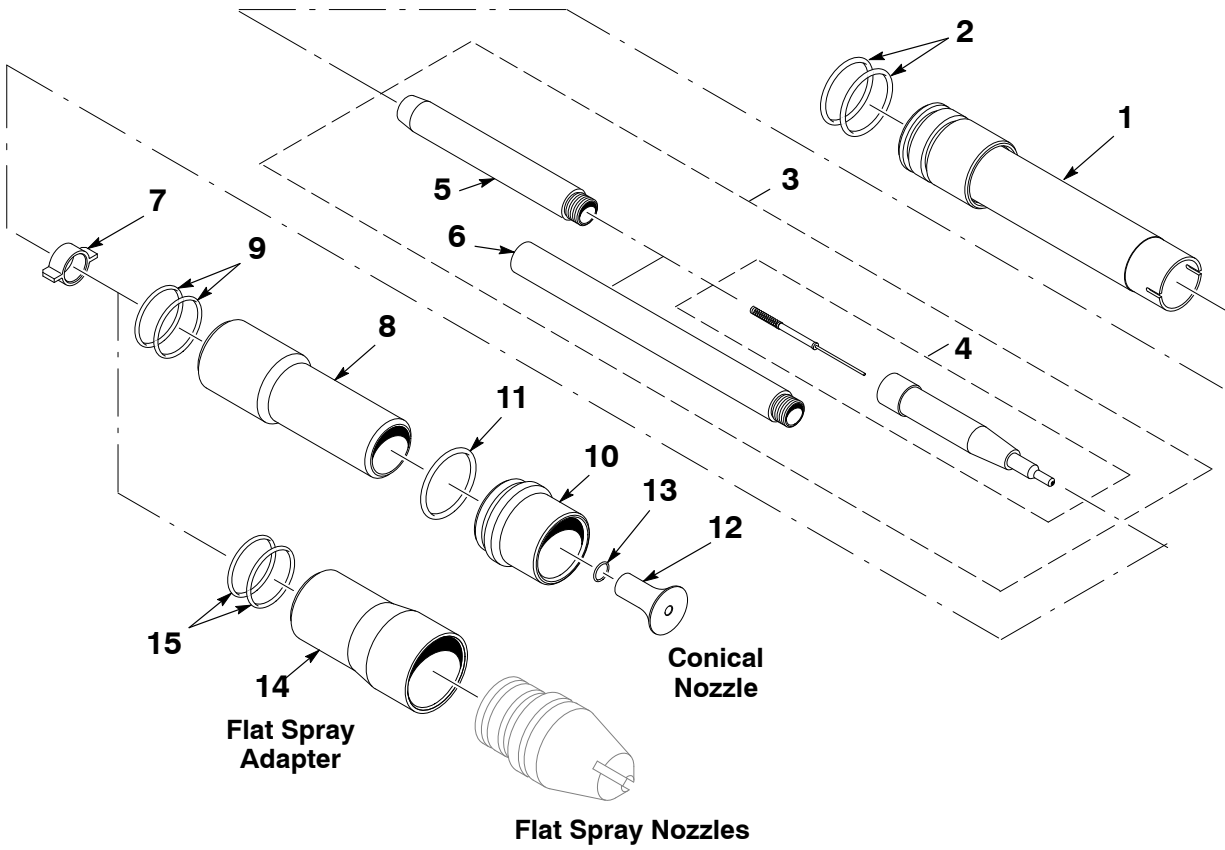


Figure 18-78 Lightweight Lance Extensions for Versa-Spray II Manual Spray Guns

Cup Gun Kit for Versa-Spray II Manual Guns

See Figure 18-79. For a complete parts list refer to manual 107169.

Item	Part	Description	Note
1	183464	Funnel kit	
2	183453	• Funnel lid	
3	183451	• Funnel	
4	900784	• Cap/plug	
5	183462	Venturi nozzle, w/O-ring	
6	940126	• O-ring	
7	183456	Elbow swivel fitting	
8	183463	Venturi throat, w/O-ring	
9	940126	• O-ring	
10	940142	• O-ring	
12	134386	Hose adapter, w/O-ring	
13	940163	• O-ring	

Item	Part	Description	Note	Min Order Qty (ft)
11	900649	Powder hose, 9.5-mm (0.375-in.) ID, blue		25

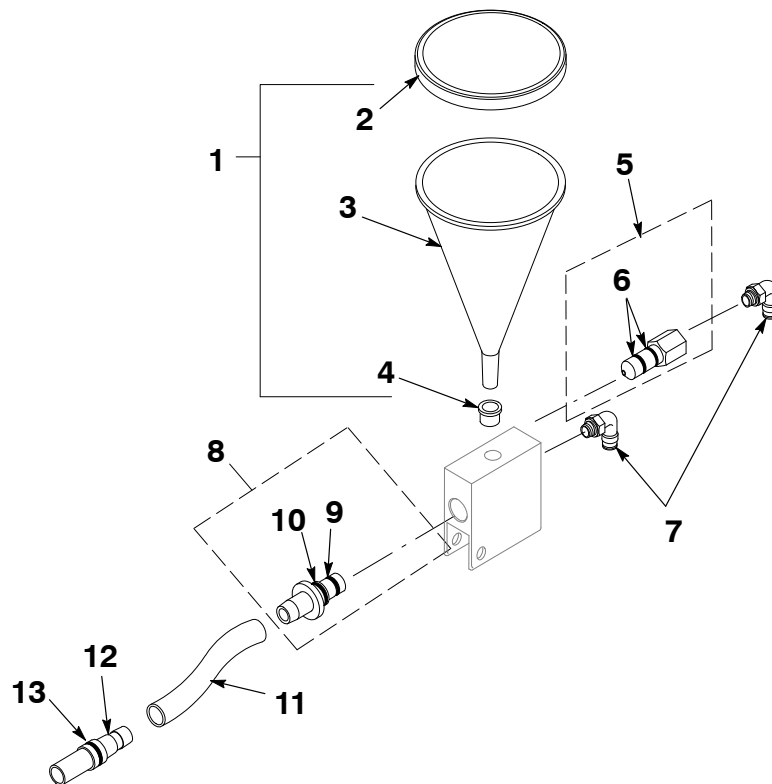


Figure 18-79 Cup Gun Kit for Versa-Spray II Manual Spray Guns

Purge Adapter Kits for Versa-Spray II Guns

Part	Description	Note
157094	Purge adapter, VS auto guns	

Versa-Spray II Control Modules

See Figure 18-80.

2-Gauge Automatic Control Module

For a complete parts list refer to manual 106991.

Item	Part	Description	Note
1	171031	Circuit board, Versa-Spray II	A
NS	804261	Fuse, 1 amp, 250 V	
2	-----	Service kit, IC Versa-Spray	
NS	939991	Fuse, 50 mA, quick acting, micro 250 v	
3	901267	Gauge, air, 0–100 psi	
4	901444	Regulator, air, 1/4-in. NPT, 5–125 psi	
—	1062888	Manifold, pneumatic output, 2 gauge	
5	173116	• Gasket, pilot manifold	
6	129503	• Solenoid, valve, 12 Vdc, N.O.	
7	248716	• Valve, three-way cartridge	
8	173123	Service kit, spring cartridge valve, bag of three	

NOTE A: Availability subject to component parts.

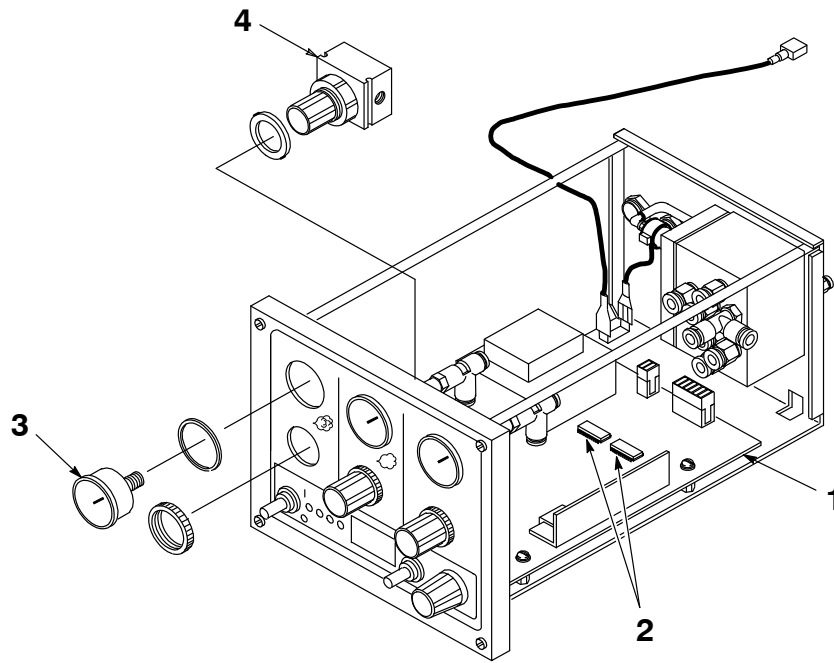
3-Gauge Manual Control Module

For a complete parts list refer to manual 106990.

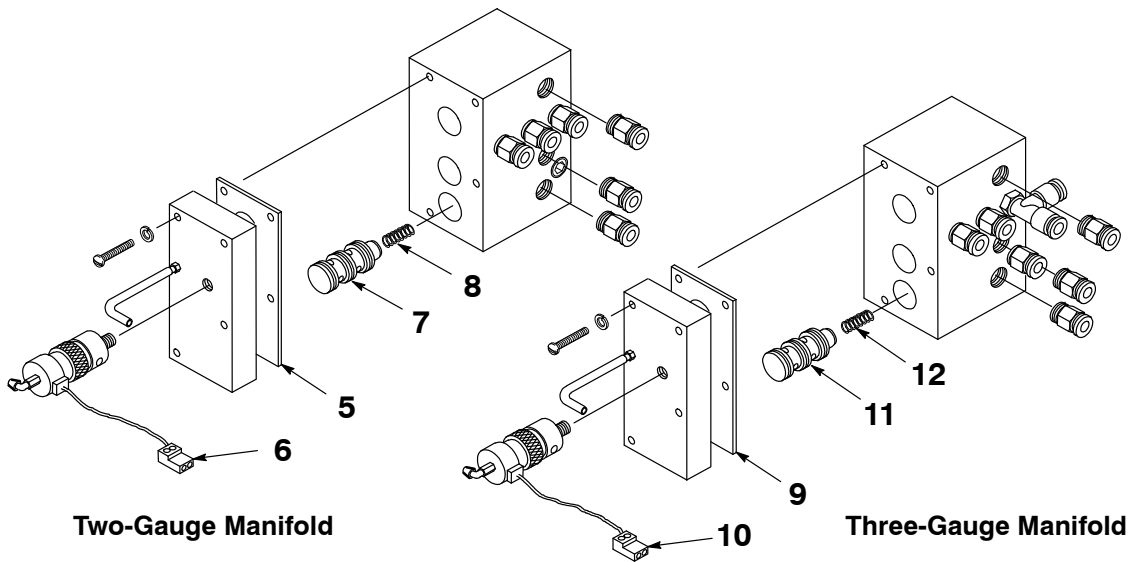
Item	Part	Description	Note
1	171031	Circuit board, Versa-Spray II	A
NS	804261	Fuse, 1 amp, 250 V	
2	-----	Service kit, IC Versa-Spray	
NS	939991	Fuse, 50 mA, quick acting, micro 250 v	
3	901267	Gauge, air, 0–100 psi	
4	901444	Regulator, air, 1/4-in. NPT, 5–125 psi	
—	1062887	Manifold, pneumatic output, 3 gauge, IPS	
9	173116	• Gasket, pilot manifold	
10	129503	• Solenoid, valve, 12 Vdc, N.O.	
11	248716	• Valve, three-way cartridge	
12	173123	Service kit, spring cartridge valve, bag of three	

NOTE A: Availability subject to component parts.

Versa-Spray II Control Modules (contd)



Versa-Spray II Control Module



Two-Gauge Manifold

Three-Gauge Manifold

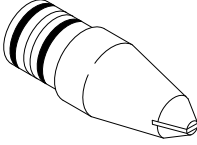
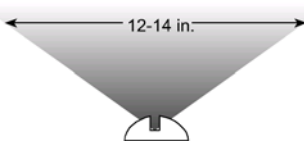
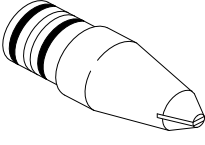
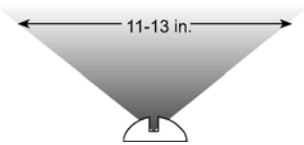
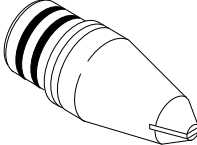
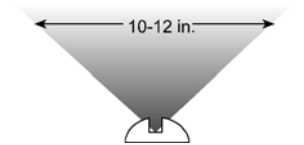
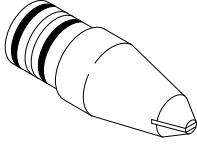
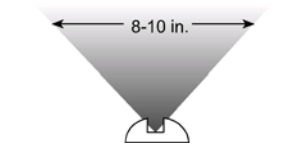
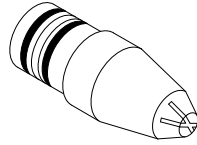
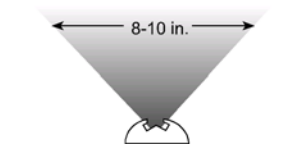
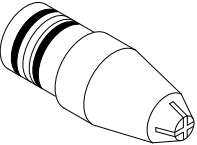
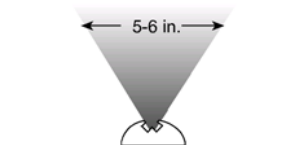
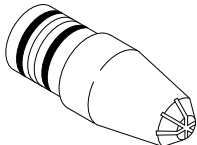
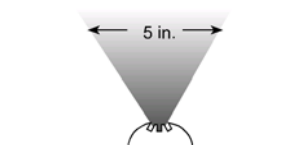
Pneumatic Output Manifold

Figure 18-80 Versa Spray II Control Modules

Vantage Manual and Versa-Spray Automatic Nozzles

Vantage and Versa-Spray® II Flat Spray Nozzle Chart	18-140
Vantage and Versa-Spray II Gun Nozzles	18-141
Vantage and Versa-Spray II Flat Spray Nozzles	18-141
Flat Spray Nozzles for PE Spray Gun	18-142
Vantage and Versa Spray II Conical Nozzle Chart	18-143
Vantage and Versa-Spray II 32 mm Conical Nozzles and Deflectors	18-144
Vantage and Versa-Spray II 45 mm Conical Nozzles and Deflectors	18-145
Vantage and Versa-Spray II Short Conical Nozzles and Deflectors	18-146

Vantage and Versa-Spray® II Flat Spray Nozzle Chart

Nozzle	Spray Pattern	Powder Velocity	Application
2.5-mm Flat Spray 		High	Large, flat surfaces
3-mm Flat Spray 		Medium-high	Fine finish on flat surfaces
4-mm Flat Spray 		Medium-low	Touch up
6-mm Flat Spray 		Low	Reinforcement
60° Cross-Cut 		Medium-low	Recess reinforcement
90° Cross-Cut 		Low	Deep recesses
Castle 		Medium-low	Pin point

Vantage and Versa-Spray II Gun Nozzles

Vantage and Versa-Spray II Flat Spray Nozzles

Part	Description	Note
Flat-Spray Nozzles		
134380	2.5-mm fl spray nozzle service kit, with O-rings and wear sleeve, Tivar	
134384	2.5-mm fl spray nozzle w/O-rings, Tivar	
139935	3-mm flat spray nozzle service kit, with O-rings and wear sleeve, Tivar	
139902	3-mm flat spray nozzle w/O-rings, Tivar	
141044	4-mm flat spray nozzle service kit, with O-rings and wear sleeve, Tivar	
141045	4-mm flat spray nozzle w/O-rings, Tivar	
139937	6-mm flat spray nozzle service kit, with O-rings and wear sleeve, Tivar	
139903	6-mm flat spray nozzle w/O-rings, Tivar	
Cross-Cut and Castle Nozzles		
141013	60° cross cut nozzle service kit, O-rings, wear sleeve, Tivar	
141017	60° cross cut nozzle, O-rings, Tivar	
141014	90° cross cut nozzle service kit, O-rings, wear sleeve, Tivar	
141015	90° cross cut nozzle, O-rings, Tivar	
147495	Castle nozzle service kit, O-rings, wear sleeve, 0.375 in.	
147877	Castle nozzle, O-rings, 0.375 in.	
233447	45° angled cut, O-rings	
233445	90° angled cut, O-rings	

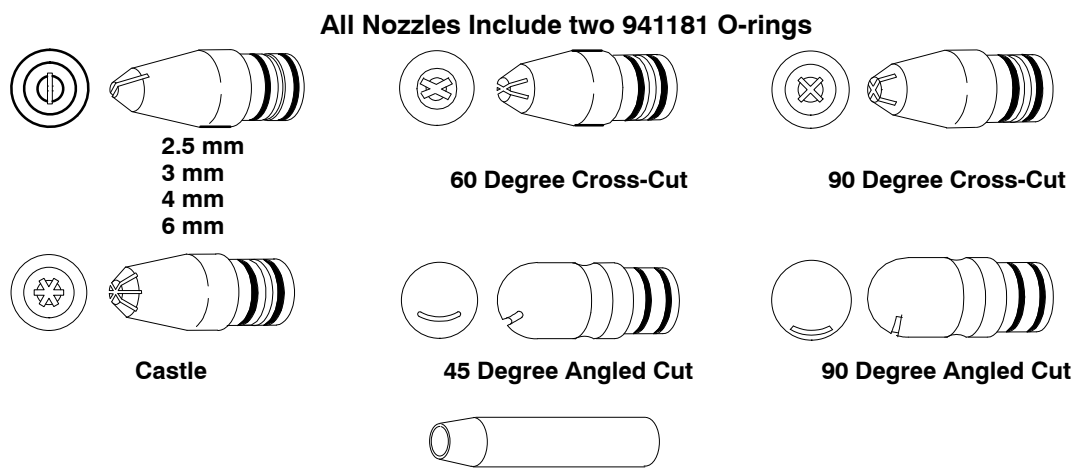


Figure 18-81 Flat Spray Nozzles for Vantage Manual Spray Gun and Versa-Spray II Spray Guns

Flat Spray Nozzles for PE Spray Gun

Part	Description	Note
248282	Nozzle, flat fan frit, with O-ring	
1074636	Nozzle, 6 mm flat ceramic, with O-ring	
1074637	Nozzle, 4 mm flat 45 deg, ceramic, with O-ring	
942161	• O-ring silicone	A
NOTE A: This O-ring is included with all three flat spray nozzles		

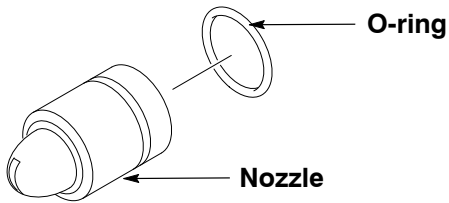

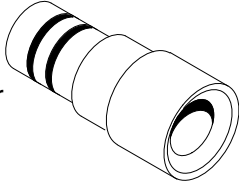
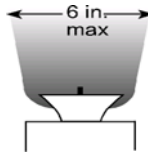
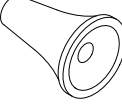
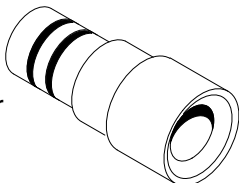
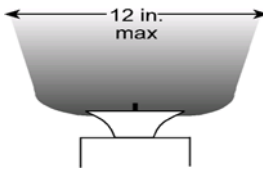

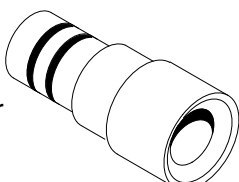
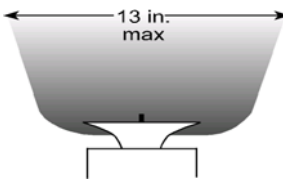
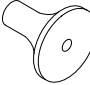
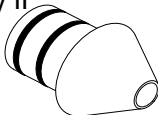
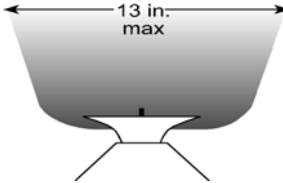
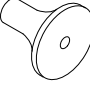
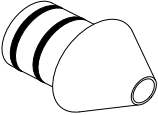
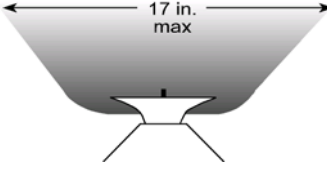

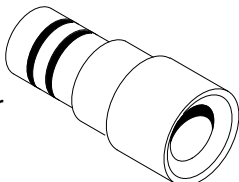
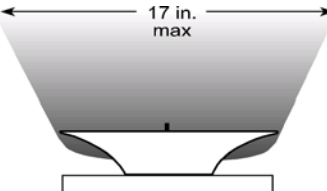

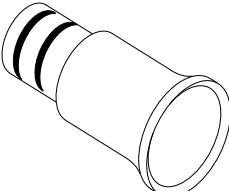
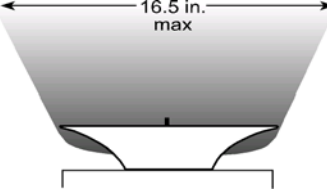


Figure 18-82 Flat-Spray Nozzle

Vantage and Versa Spray II Conical Nozzle Chart

Deflector Size	Used with This Nozzle	Spray Pattern	Powder Velocity	Application
14 mm 	32 mm with pattern adjuster 		High	Manual touch-up
16 mm 	32 mm with pattern adjuster 		Medium-high	General finishing
19 mm 	32 mm with pattern adjuster 		Medium	Large surfaces
19 mm 	Short Versa-Spray II 		Medium	Large surfaces
26 mm 	Short Versa-Spray II 		Medium-low	Parts with gaps and recesses
26 mm 	32 mm with pattern adjuster 		Medium-low	Parts with gaps and recesses
38 mm 	45 mm 		Low	Large surfaces

Vantage and Versa-Spray II 32 mm Conical Nozzles and Deflectors

Conical nozzles consist of a nozzle, pattern adjuster, and deflector. The size of the spray pattern can be changed by changing the deflector and pattern adjuster.

Item	Part	Description	Note
Standard 32-mm Conical Nozzle with Deflector Kit			
—	145559	Service kit, nozzle, 32 mm	
1	133734	• Deflector, 26-mm, w/O-ring,	
2	940084	• • O-ring, silicone	A
3	144759	• Adjuster, pattern, 32 mm	
4	145558	• Nozzle, 32-mm, w/O-rings,	
5	941205	• • O-ring, silicone	
6	941181	• • O-ring, silicone	
7	132348	• Sleeve, wear, conical	
Tapered 32-mm Conical Nozzle with Deflector Kit			
—	227522	Service kit, nozzle, 32 mm,tapered ID	
1	173141	• Deflector, 26-mm, flat, w/O-ring	
2	940084	• • O-ring, silicone	A
3	144759	• Adjuster, pattern, 32 mm	
4	227524	• Nozzle, 32-mm, tapered ID, w/O-rings	
5	941205	• • O-ring, silicone	
6	941181	• • O-ring, silicone	
7	132348	• Sleeve, wear, conical	
Optional Deflectors for 32-mm Conical Nozzles			
1	135865	Deflector, 14-mm, w/O-ring	DS
1	147880	Deflector, 16-mm, w/O-ring	DS
1	133714	Deflector, 19-mm, w/O-ring	
2	940084	• O-ring, silicone	A
NOTE A: This O-ring is included with all deflectors. DS: Discontinued – Availability subject to change.			

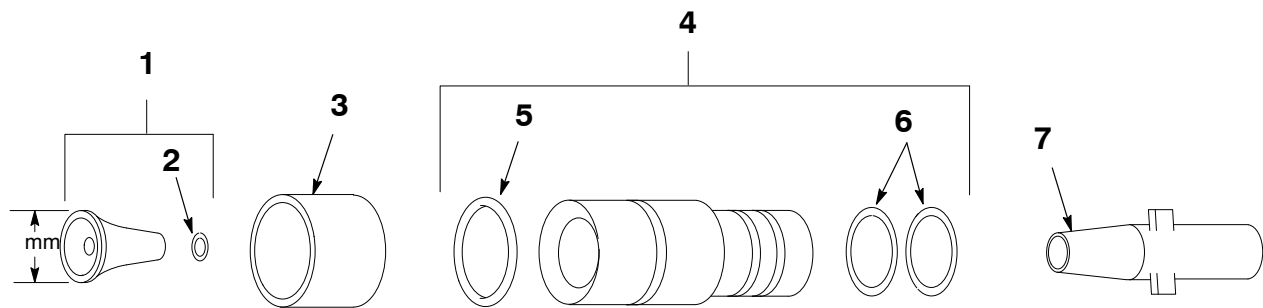


Figure 18-83 32 mm Conical Nozzles for Vantage Manual Spray Gun and Versa-Spray II Guns

Vantage and Versa-Spray II 45 mm Conical Nozzles and Deflectors

Item	Part	Description	Note
—	144760	Service kit, nozzle, 45 mm	
1	249233	• Deflector, 38-mm, w/O-ring	
2	940084	• • O-ring, silicone	
3	144789	• Nozzle, 45-mm dia, w/Orings	
4	941181	• • O-ring, silicone	
5	132348	• Sleeve, wear, conical	

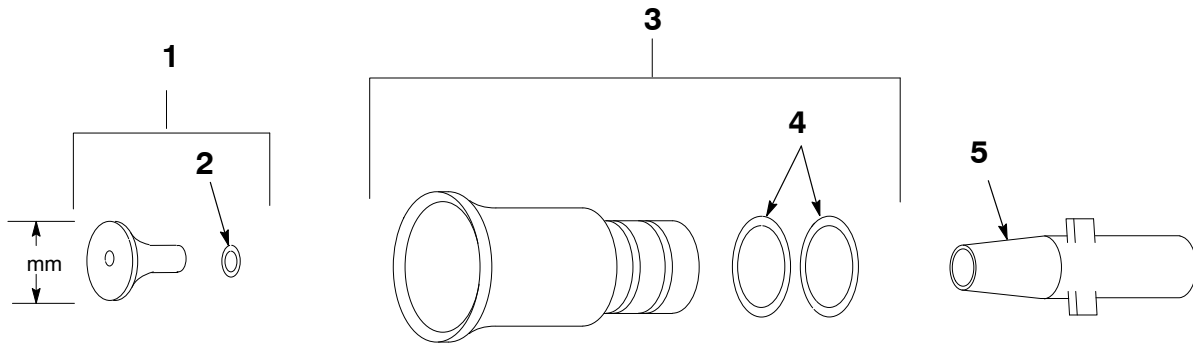


Figure 18-84 45 mm Conical Nozzles for Vantage Manual Spray Gun and Versa-Spray II Guns

Vantage and Versa-Spray II Short Conical Nozzles and Deflectors

Item	Part	Description	Note
1	173138	Deflector, 19-mm, w/O-ring	
1	173141	Deflector, 26-mm, w/O-ring	
3	940084	• O-ring, silicone	
3	173139	Nozzle, short, w/Orings	
4	941181	• O-ring, silicone	
5	132348	Sleeve, wear, conical	

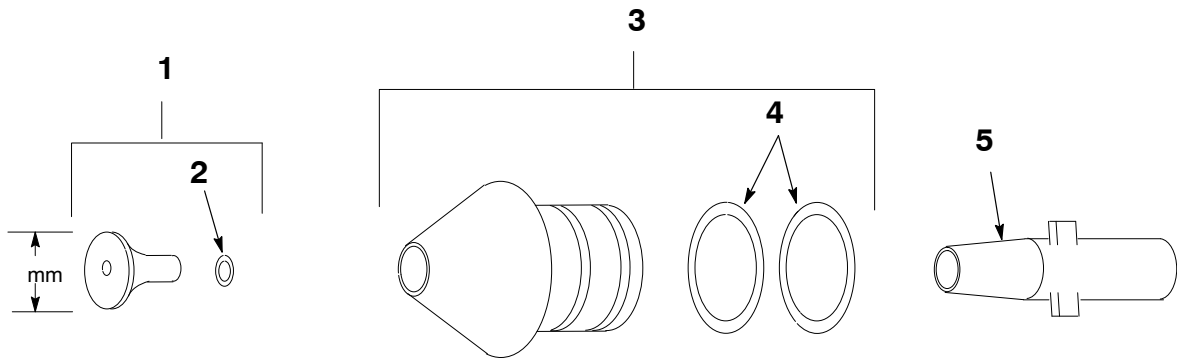


Figure 18-85 Short Conical Nozzle and Deflectors for Vantage Manual Spray Gun and Versa-Spray II Guns